

Video Security

Signal Transmission | eneo Network Transmission

PGS-2104

Network Video Server, 4-channel,
Network Interface, 9VDC/230VAC

Art-No. 91544



Features

4-ch. Video Networking Server for LAN/WAN/Internet
 Simultaneous Video and Audio Transmission
 MPEG-4 Compression / Alarm Inputs/Outputs
 Image Frame Rate: Up to 100 Frames/Sec.
 Resolution of 352x288 Pixels (at 100 Frames/Sec.)
 Data Rate up to 1.5MB/Sec. / MPEG-4

RS-485 Telemetry Control Interface
 Built-in Web Server / 10Base-T/100Base-TX
 Viewer for Monitoring, Recording and Configuration
 Surveillance via LAN/WAN and Internet (no add. PC)
 E-Mail Function in Case of an Alarm

Specifications

System	PAL/NTSC
System requirements	Processor: Pentium III 800PC, 512MB RAM Microsoft Windows 2000 or XP
Compression standard	MPEG4
Operating System	Linux 2.4
Web browser	MS Internet Explorer vers. 7.0 min.
Ethernet interface	10Base-T, 100Base-TX
Network protocols	UDP, TCP/IP, DHCP, HTTP, FTP, SMPT, ARP
Power over Ethernet	no
Configuration	Via WebBrowser, Built-in WebServer
Data rate	256Kbit/sec. ~ 1.5Mbit/sec. (MPEG-4)
Resolution max.	352 x 288 (CIF)
Video resolution	at 100Fps. (4-channel), 176x144 (QCIF)
Maximum image transmission rate	25HB/Sek.
Video inputs (amount)	4
Video inputs	4x 1Vp-p, (C)VBS, 75ohms, BNC
Audio support	yes
Audio standards	G.711

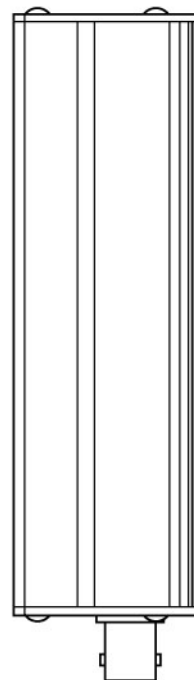
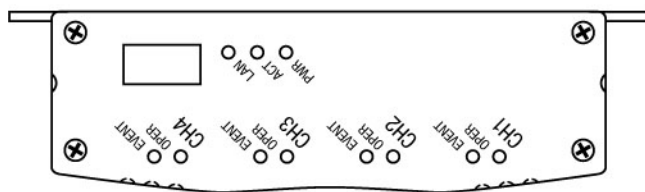
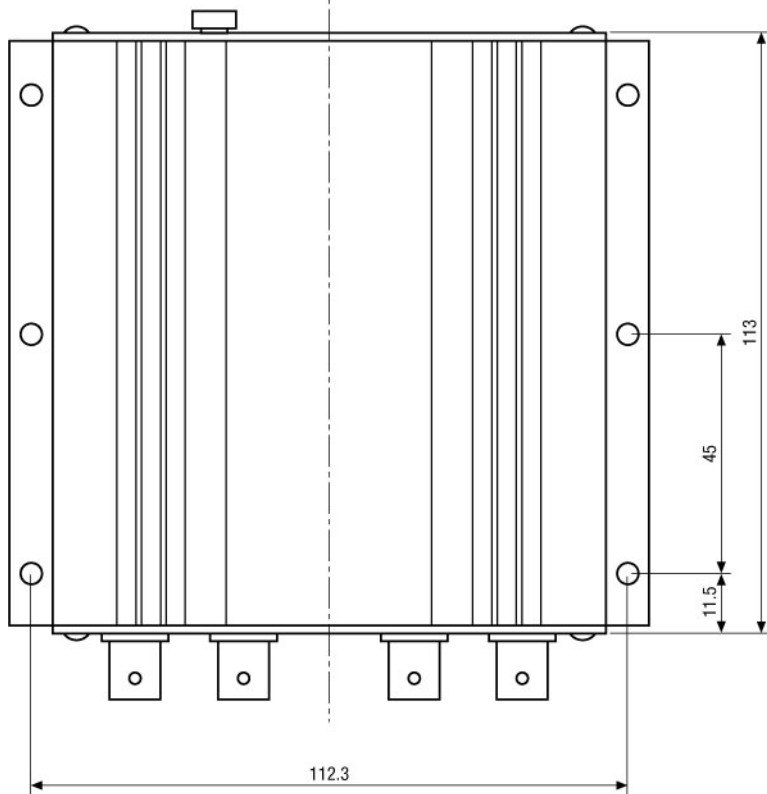
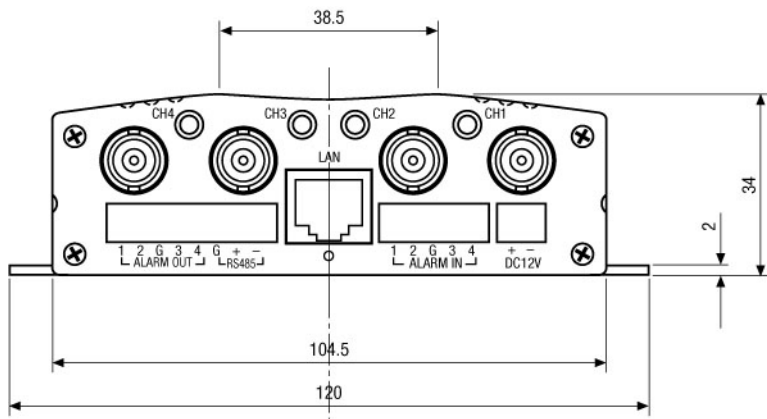
PGS-2104

(Specifications continued)

Audio In-/Output	1-channel Line/ Microphone (Duplex transmission)
Alarm inputs	yes, 4x TTL, programmable as NC/NO
Alarm output	4x TTL NO/NC selectable
PTZ Support	yes
Activity detection	yes
Internal storage	yes
Pre-alarm recording	30sec. max. at 2MB/sec.
Post-alarm recording	120sec. max. at 1.5MB/sec.
Serial interfaces	RS-485
Software upgrade	Via software tool (from the viewer)
Password protection	yes
Supply voltage	12VDC (PSU 100~240VAC included)
Power consumption	approx. 6watts
Housing	Aluminium
Colour	Silver grey
Temperature range (Operation)	0 ~ +40°C
Dimensions (HxWxD)	See drawing
19" Rack mountable	yes
Weight	370g
Parts supplied	PSU, Crossover LAN cable, Instruction manual, DC, Microphone and speaker adapter cable, programming software

Accessories

91546 / PGA-BGT	19" Rack Mount Housing for 9 PGS/PGV Network Moduls
------------------------	---



Maße/Dimensions: mm

VIDEOR TECHNICAL E. Hartig GmbH
 Carl-Zeiss-Straße 8 · 63322 Rödermark · Germany
 Telefon +49 (0) 60 74/8 88-0 · Telefax +49 (0) 60 74/8 88-100
 info@videortechnical.com · www.videortechnical.com

