

NXD-1401M

Home | Security | IP Dome Cameras | Fixed

NXD-1401M

1/3" Network Dome, Fixed, Colour, H.264, ONVIF,

1280x720, PoE, 12/24V

Art-Nr. 93164



Main Features

1/3" Progressive scan CMOS sensor

Resolution max.: 1280(H) x 720(V)

ONVIF conformance

High and low speed shutter control (MES/ESC/DSS)

Video flip / Digital PTZ / Motion detection

ROI (Region of interest) for display, streaming

Simultaneous H.264 and MJPEG video streaming

Supports up to 25ips. (at 1280x720/H.264)

Two-way audio streaming

Alarm in/outputs and RS-485 interface

Varifocal lens: F1.2/3-9mm w. DC controlled Iris

16 channel video client software

Specifications

Series	eneo NX
System	Colour
Video standard	CCIR/PAL
Sensor size	1/3"
Imager	CMOS, Progressive scan
Synchronization	Internal
Sensitivity (at 50% video signal)	1,3 Lux, at F1.2
Automatic gain control (AGC)	supplied
Manual electronic shutter (MES)	1/2sec. ~1/1000sec.
Digital Noise Reduction (DNR)	no
Low Speed Shutter	yes
White balance	AWB, Indoor / Outdoor switchable
Backlight compensation	no

NXD-1401M

(Continuation Spezifications)

Wide Dynamic Range (WDR)	no
Flickerless function	yes
Switchable IR cut filter	no
IR cut filter	standard
Mirror function	horizontal, vertical
Activity detection	yes
Motion detector	8 zones / H.264 Stream
Text display	supplied
Sharpness correction	adjustment range: 0 ~20
Brightness	adjustment range: 0 ~20
Menu languages	English, German, French, Spanish, Italian, Russian
OSD function control	H/V flip (Mirror picture), Positive/Negative, Freeze, Shutter control, Sharpness & Brightness correction, Exposure, White balance, Motion detection, Digital Cropping
Internal adjustments	Camera position, Angle of view & focus, Reset
External connections	Video (BNC), Audio In/Out, Network (RJ-45), Alarm Inputs/Output, Power Input
Video outputs	composite (CVBS), 1Vp-p (C)VBS, 75ohms, BNC
Audio support	yes
Audio	1/1 Line input and output (Input selectable with microphone pre-amplifier)
Alarm inputs	yes, 2x TTL
Alarm outputs	1
Alarm handling	File upload via FTP. Notification via email, HTTP and TCP. External output activation
Internal storage	no
Compression standard	H.264, MJPEG
Resolution max.	1280 x 720
Resolution	1280x720, 720x576, 720x480, 640x480, 320x240
Image transm. rate max.	25 B./Sek.
Frame rate	25 Fps. max. at 1280x720 Px.
Bandwidth	Controllable bandwidth and frame rate
Stream types	H.264, MJPEG multiple
Image display	Via Web Browser or Viewer Software
Ethernet interface	10Base-T, 100Base-TX
Network protocols	IPv4, SMTP, DDNS, HTTP, HTTPS, FTP, DHCP, DSCP, UPnP, RTSP, RTP, TCP, UDP, NTP
Lens type	varifocal
Lens	F1.2/3 ~9mm with galvanometer controlled iris
Focal length	3 mm - 9 mm
Horizontal angle of view	77,4° - 29,8°

NXD-1401M

(Continuation Specifications)

Digital Zoom	2x ~10x
Iris control	DC
MOD (Minimum object distance)	0,5 m
Filter screw size	not available
Illumination	no
Pre-alarm recording	up to 30sec.
Post-alarm recording	Up to 30sec.
Search function	Alarm/Event/Time searching
Serial interfaces	no
Remote configuration	16-ch. remote client S/W (Live, Recording, Playback, Archiving, e-Map, Event search)
Configuration	via Smart Setup Software
Access	10 Users simultaneous support
Software update	via Remote Software
Password protection	yes
PTZ Support	no
Rotation range	359°
Supply voltage	12VDC, 24VAC, PoE
Power over Ethernet	yes
Heater	no
Power consumption	3.2W
Mounting	wall mount, ceiling mount
Temperature range (Operation)	-10°C ~+50°C
Vandalism resistant	yes
Housing	outdoor
Housing material	aluminium
Colour (housing)	Pantone Cool Gray 1C
Bubble	Polycarbonate plastic with black inner liner
Colour (bubble)	clear
Protection rating	IP66
Management Software Support	NT-Manager
ONVIF	version 1.01
Certificates	CE
Dimensions (HxWxD)	see drawing
Weight	1000g
Parts supplied	Mounting kit, Torx wrench key, Terminal plugs (2 & 6 pins), Drilling template, Manual

Optional accessories

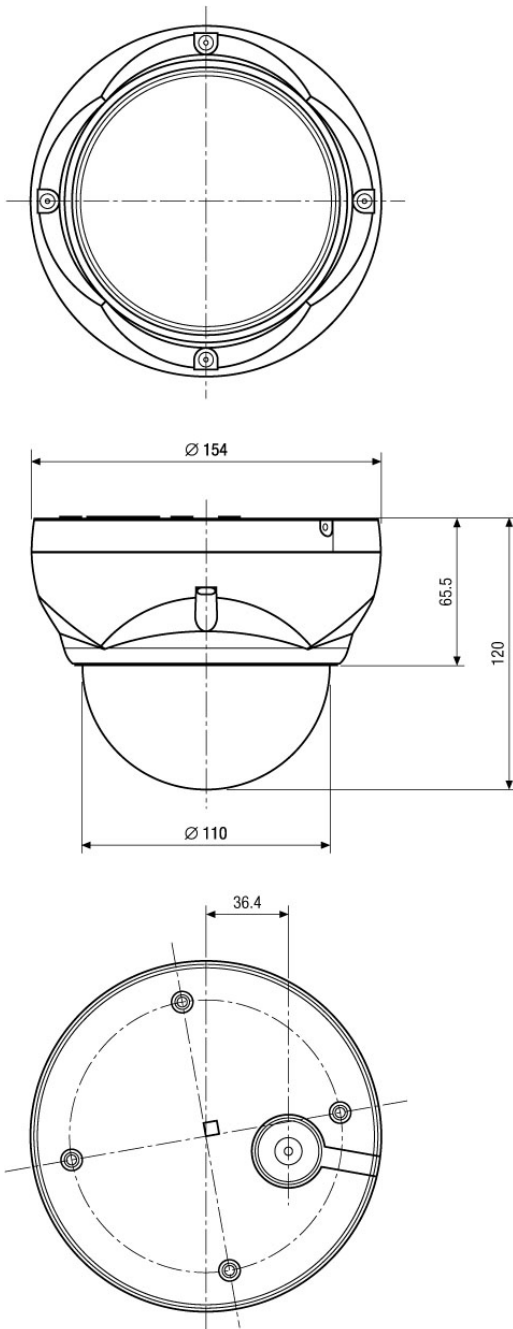
NXD-1401M

74155	EDMC/CWB-1	Wall or Pendant Mount Kit f. Dome Camera Series EDMC, NTD, NLD, NXD & VKCD-1375
70536	VT-PS12DC-9	Plug-in Power Supply Unit 100-240VAC 12VDC (1.0Amp), Regulated, w. open Ends
77773	VT-PS12DCDT1	PSU 12VDC/1.0A, Regulated, Desktop Version, 1.8m Cables each w. open ends
70527	NE-132/AC24V	Power Supply Unit 230VAC/24VAC (1.0A)
93156	NT-MANAGER	Remote Administration Interface Software for eneo NW Series NT, NX, NL
70495	VT-PS12DC-7	Plugable PSU w. Cont. & UK Mains plug-in 100-240VAC/12VDC-1.25A, Regulated
93159	NT-SMARTMANAGER	Utility S/W Tool for eneo Network Series NT, NX, NL
74099	EDMC/H12	Low Voltage Heater Kit 12V/10W for Minitrax Series, NLD-1401, NXD-130x/140x
74104	EDMC/H24	Low Voltage Heater Kit 24V/10W for EDMC- 142, VKCD-1410, NLD-1401, NXD-130x/140x

NXD-1401M

Home | Security | IP Dome Cameras | Fixed

Technical drawing



Maße/Dimensions: mm