

# Video Security

Network Cameras | eneo Network Cameras NT Series

## NTC-4161/PP

1/4" Network D&N Camera with 22x Zoom,  
Pre-wired in VHU-165, 480TVL, 12VDC

Art-No. 93157



## Features

High Resolution Colour/B&W Camera

Integrated 22x AF Zoom Lens/11x Digital Zoom

Sensitivity of: 0.85Lux (F1.2)

With DSP, EDR, DIS, DNR, BLC, DSS Removable IRCF

MPEG-4 Compression

Image Frame Rate: Up to 25 Fr./Sec. (720x576 Px.)

Viewer for Monitoring, Recording and Configuration

Pre and Post Event Recording (in Client PC)

Integrated Web Server: 10Base-T/100Base-TX

Weatherproof Housing with Hidden Cable Routing

For Wall/Ceiling and Upright Mounting

Pre-wired for 12VDC Voltage Supply and IP Output

## Specifications

System	day&night
Video standard	CCIR/PAL
Sensor size	1/4"
Imager	1/4" Sony Super HAD Interline Transfer CCD, CCD
Synchronization	Internal
Signal-to-noise ratio	52dB (AGC Off)
Signal processing	Digital (DSP)
Sensitivity (at 50% video signal)	0,45Lux, (colour); 0.24Lux (B&W). With 8x Low Speed Shutter, colour: 0.05Lux, b&w: 0.03Lux. Related to aperture F1.2 each
Active picture elements	Approx. 440,000 (H) 752 x (V) 582 pixels
Automatic gain control (AGC)	30dB max., ON/OFF switchable
Electronic shutter control (ESC)	1/50 ~ 1/10000sec., Automatic (starting from F22) and manual
Integration rate	yes
Low speed shutter (DSS)	1/30sec. ~ 1sec. (to 2, 4, 8, 16, 32 and 60 Fps. selectable)
Aperture Correction (APC)	Horizontal and vertical

(Specifications continued)

<b>White balance</b>	Automatic (AWB) selectable for indoor and outdoor, or manual. Wide range auto mode (WAWB)
<b>Backlight compensation</b>	BLC, On/Off switchable with adjustable field size
<b>IR cut filter</b>	yes, Motorized, switchable filter. Automatic function depend on the amount of light. In removed filter position, the colour signal, will be switched OFF
<b>Activity detection</b>	yes
<b>Text display</b>	Title, camera ID and status
<b>Menu driven set-up</b>	On/Off switchable
<b>Picture adjustments</b>	Color, Brightness, Contrast (via Network)
<b>OSD function control</b>	D&N, AGC, BLC, AWB, Iris, MOD, PIP, Freeze, Digital zoom, Digital noise reduction (DNR) ON/OFF. Mirror, Negativ/Positiv image. Digital image stabilization (DIS), Wide dynamic range (WDR) and Shutter mode
<b>External adjustments</b>	Menu: ON/OFF Focus near/far Lens T/W LL phase (for AC models only)
<b>External connections</b>	Video (BNC), Power input, Serial interface socket
<b>Video outputs (type)</b>	CVBS, VBS
<b>Video outputs</b>	1Vp-p, (C)VBS, 75ohms, BNC
<b>Audio support</b>	no
<b>Alarm inputs</b>	no
<b>Alarm processing</b>	Built-in Motion Detection, Adjustable sensitivity and dwell time, E-Mail function
<b>Internal storage</b>	yes
<b>System requirements</b>	Windows 2000/XP, Intel Pentium IV 2GHz or higher, 512MB RAM or higher, Hard disk 80GB min., depend on recording demand
<b>Compression standard</b>	MPEG4, part 2 (ISO/IEC 14496-2), Profile: SP and ASP
<b>Resolution max.</b>	720 x 576
<b>Resolution</b>	Network: 720x576 (D1), 640x480, 320x240, 160x120 Px.
<b>Maximum image transmission rate</b>	50HB/Sek.
<b>Frame rate</b>	25 Frps. at 720x576 Px. (PAL)
<b>Image display</b>	Via Web Browser or Viewer Software
<b>Ethernet interface</b>	10Base-T, 100Base-TX, RJ-45
<b>Web browser</b>	MS Internet Explorer Vers. 6.0
<b>Network protocols</b>	TCP/IP, DHCP, HTTP, DNS, UDP, RTP, RTSP, SMTP
<b>Bandwidth</b>	Adjustable
<b>Lens type</b>	zoom
<b>Lens</b>	F1.6 ~ F32/3.9 ~ 85.8mm
<b>Lens mount</b>	integrated lens
<b>Application range</b>	security
<b>Nominal format size</b>	1/4"
<b>Aspherical technology</b>	yes
<b>Mount</b>	n/a
<b>Focal length</b>	3,9-85,8mm
<b>Digital Zoom</b>	11x

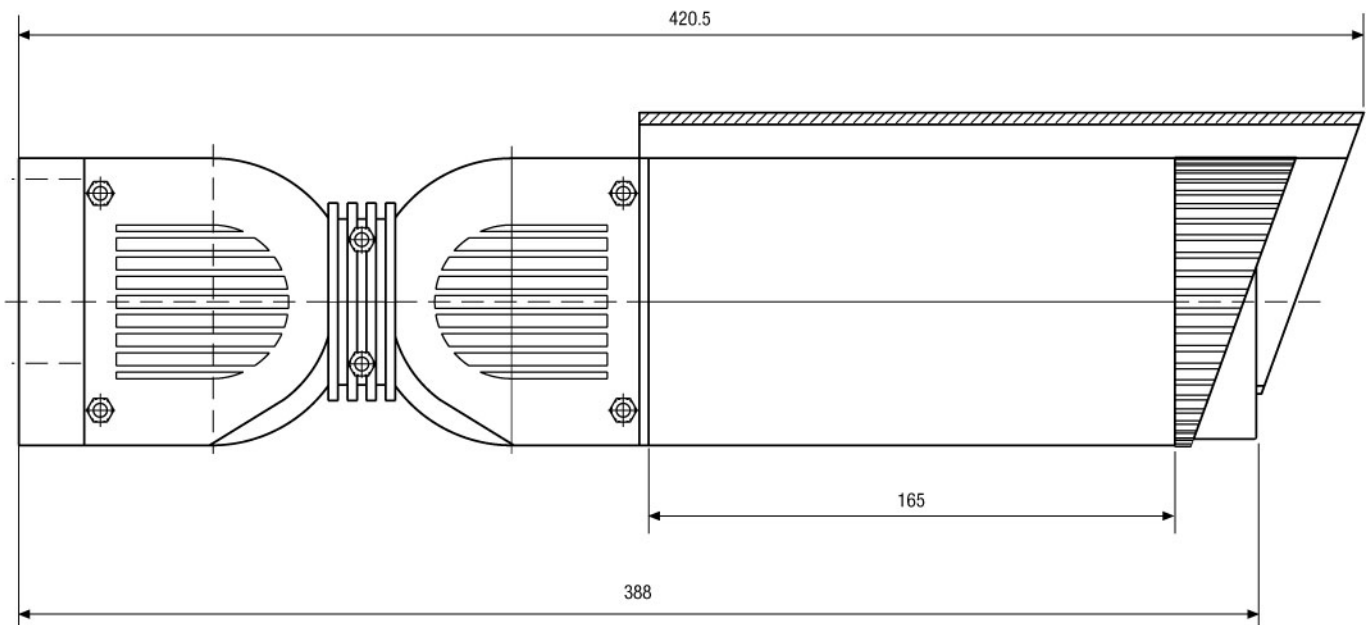
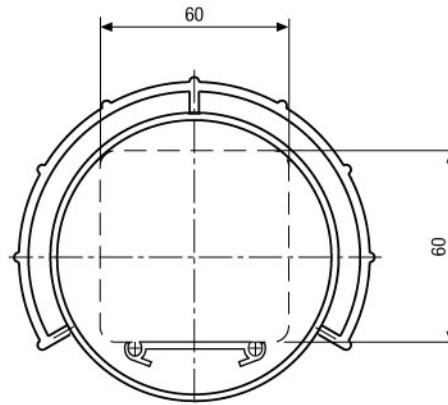
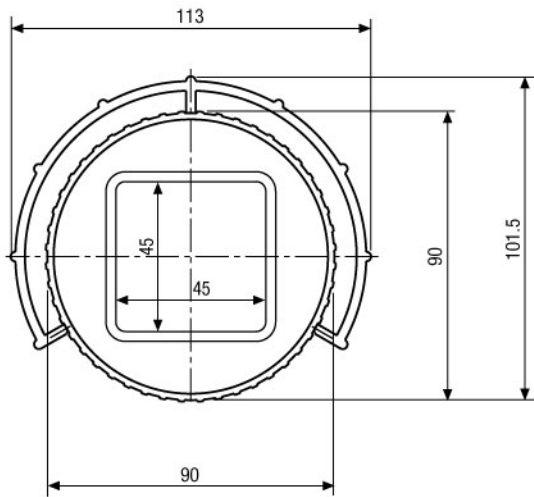
## NTC-4161/PP

(Specifications continued)

<b>Horizontal angle of view</b>	50-2,46°
<b>Exposure modes</b>	Automatic or manual mode: Iris, Shutter and AGC. Automatic mode: Iris priority, Shutter priority
<b>Iris control</b>	auto iris, Auto iris (F1.6 ~ F32), with manual override
<b>Minimum object distance (MOD)</b>	Wide angle (x1 to x4): 10cm Tele end (x5 to x22): 1.0m. Adjustable to 0.1m, 1.0mm, 1.5m, 2.5m and 6m
<b>Filter screw size</b>	M37x0.7mm
<b>Window screen</b>	PC (Lexan)
<b>Window heater</b>	Thermostatically controlled 12VAC/DC heater, approx. 7watts
<b>Pre-alarm recording</b>	180sec. max.
<b>Post-alarm recording</b>	180sec. max.
<b>Search function</b>	Alarm/Event/Time searching
<b>Serial interfaces</b>	RS-232, RS-485, Protocols: eneo Fastrax E and Pelco D&P
<b>Configuration</b>	Via WebBrowser, Built-in WebServer
<b>Software upgrade</b>	via Network Interface, incl. Viewer setup
<b>Password protection</b>	yes
<b>PTZ Support</b>	yes
<b>Protection rating</b>	IP66/67
<b>Camera mount</b>	Mounting socket with 1/4" - 20 UNC thread. Assembling on bottom or top
<b>Supply voltage</b>	230VAC, 12VDC, 13.5VDC
<b>Power over Ethernet</b>	no
<b>Power consumption</b>	8watts max.
<b>19" Rack mountable</b>	no
<b>Temperature range (Operation)</b>	0 ~ +40°C
<b>Humidity range</b>	0 ~ 96% non-condensing
<b>Colour</b>	RAL9016 (Body and sunshield), RAL7035 (Front and back), RAL7037 (Inner ball, fixing ring)
<b>Dimensions (HxWxD)</b>	see drawing
<b>Weight</b>	1.5kg
<b>Parts supplied</b>	Viewer software with recording capability, Configuration and client CD-R, 3mm Allan key, Screw set

## Accessories

<b>74088 / EDC-KBD1</b>	System Keyboard with 3-axis Joystick, 12VDC/230VAC
<b>74092 / EDC-KBDM-3</b>	System Keyboard w. Joystick, 5" Monitor 12VDC/230VAC, Fastrax Protocol
<b>74124 / FASTRAX_CONFIG</b>	Configuration Software for Eneo Fastrax, Minitrax Dome Cameras and VKC-1416
<b>73844 / FW7362/12</b>	Plugable AC/DC Adapter 100-240V/12VDC-2.5A, Regulated



Maße/Dimensions: mm

VIDEOR TECHNICAL E. Hartig GmbH  
 Carl-Zeiss-Straße 8 · 63322 Rödermark · Germany  
 Telefon +49 (0) 60 74/8 88-0 · Telefax +49 (0) 60 74/8 88-100  
 info@videortechnical.com · www.videortechnical.com

