

# NLC-1401

Home | Security | IP Cameras | Standard

NLC-1401

1/3" Network Camera, Day&Night, H.264,

MJPEG/MPEG4, 704x576, PoE, 12/24V, ONVIF

Art-Nr. 93160



ONVIF



Lens not included

## Main Features

1/3" Sony Super HAD CCD

Sensitivity of: 0.1Lux at F1.2 (colour)

Removal IR cut filter (ICR)

Powerful digital noise reduction (3D-DNR)

Privacy masking/Mirror function/Motion detection

ONVIF conformance

Triple codec: H.264 / MPEG-4 / MJPEG

Integrated web server: 10Base-T/100Base-TX

Supports up to 25ips. (at 4CIF)

Resolutions: 4CIF, VGA, QVGA, 2CIF, CIF, SIF, QCIF

Two-way audio streaming

16 channel video client software

## Specifications

Series	eneo NL
System	Day&Night
Video standard	CCIR/PAL
Sensor size	1/3"
Imager	CCD, Sony Super HAD Interline Transfer
Sensitivity (at 50% video signal)	0,1 Lux, (colour), 0.06Lux (B&W) at F1.2 (measured)
Horizontal resolution	560 TVL
Automatic gain control (AGC)	ON/OFF switchable
Automatic electronic shutter (ESC)	1/50 ~ 1/100,000sec.
Manual electronic shutter (MES)	1/50 ~ 1/100,000sec.
Digital Noise Reduction (DNR)	yes
Low Speed Shutter	yes
Low speed shutter	Automatic, 2 ~256 Fps., ON/OFF switchable

# NLC-1401

(Continuation Spezifications)

<b>White balance</b>	AWB, Indoor / Outdoor switchable
<b>Wide Dynamic Range (WDR)</b>	yes
<b>Backlight compensation</b>	BLC, HSBL (Highlight Suppress Back Light Compensation), ON/OFF switchable. Adjustable size and gain
<b>Flickerless function</b>	yes
<b>IR cut filter</b>	switchable
<b>Mirror function</b>	H/V flip, 180° rotation
<b>Privacy zones masking</b>	ON/OFF switchable
<b>Activity detection</b>	yes
<b>Motion detector</b>	9 zones, ON/OFF switchable
<b>Text display</b>	15 character label, ON/OFF switchable
<b>Menu languages</b>	English, German, French, Spanish, Italian, Russian
<b>OSD function control</b>	H/V flip (Mirror picture), Rotation, Positive/Negative, Freeze, Day&Night (Auto/Manual), Shutter control, Sharpness & Brightness correction, Exposure, White balance, Privacy zones masking, Motion detection, Text, Digital Cropping
<b>External adjustments</b>	Menu, Cursor Up/Down/Left/Right, Flange focus
<b>External connections</b>	Video (BNC), Audio, Network (RJ-45), Alarm Input/Output, Factory reset (button), DC iris (4 pin), Power Input, RS-485
<b>Video outputs</b>	composite (CVBS), 1Vp-p (C)VBS, 75ohms, BNC
<b>Audio support</b>	yes
<b>Audio</b>	1/1 Line input and output (Input selectable with microphone pre-amplifier)
<b>Alarm inputs</b>	yes, 1x TTL
<b>Alarm outputs</b>	1
<b>Alarm handling</b>	File upload via FTP and HTTP. Notification via email, HTTP and TCP. External output activation
<b>Internal storage</b>	no
<b>Compression standard</b>	H.264, MJPEG, MPEG-4
<b>Resolution max.</b>	704 x 576
<b>Resolution</b>	704x576 ~160x120, 4CIF, VGA, QVGA, 2CIF, CIF, QCIF, QQVGA
<b>Image transm. rate max.</b>	25 B./Sek.
<b>Frame rate</b>	25 Frps. max. at 704x576 Px. (H.264, MJPEG, MPEG-4, PAL), adjustable
<b>Stream types</b>	Standard, ROI (Region of Interest) max. 3
<b>Image display</b>	Via Web Browser or Viewer Software
<b>Ethernet interface</b>	10Base-T, 100Base-TX
<b>Network protocols</b>	IPv4/v6, SMTP, DDNS, HTTP, HTTPS, DNS, FTP, DHCP, QoS, UPnP, NTP, RTSP, RTP, TCP, UDP, SNMP, RTCP, ARP
<b>Remote configuration</b>	16-ch. remote client S/W (Live, Recording, Playback, Archiving, e-Map, Event search)
<b>Configuration</b>	via Smart Setup Software

# NLC-1401

(Continuation Specifications)

<b>Lens mount</b>	CS mount
<b>Digital Zoom</b>	2x ~32x
<b>Iris control</b>	manual, auto iris, DC
<b>Pre-alarm recording</b>	up to 30sec.
<b>Post-alarm recording</b>	Up to 30sec.
<b>Search function</b>	Alarm/Event/Time searching
<b>Serial interfaces</b>	RS-485, Protocols: eneo Fastrax IIE and Pelco D&P
<b>Access</b>	10 Users simultaneous support
<b>Software update</b>	via Remote Software
<b>Password protection</b>	yes
<b>Management Software Support</b>	NT-Manager
<b>PTZ Support</b>	yes
<b>Camera mount</b>	1/4" - 20 UNC thread on top and bottom
<b>Power consumption</b>	6.5W
<b>Temperature range (Operation)</b>	0°C ~+45°C
<b>Colour</b>	Pantone Cool Gray 1C
<b>ONVIF</b>	version 1.01
<b>Supply voltage</b>	12VDC, 24VAC, PoE
<b>Power over Ethernet</b>	yes
<b>Protection rating</b>	n/a
<b>Certificates</b>	CE
<b>Parts supplied</b>	Viewer software with recording capability, configuration and client CD-R, 4-pin lens plug, C/CS mount ring
<b>Weight</b>	360g
<b>Dimensions (HxWxD)</b>	see drawing

## Optional accessories

<b>70536</b>	<b>VT-PS12DC-9</b>	Plug-in Power Supply Unit 100-240VAC 12VDC (1.0Amp), Regulated, w. open Ends
<b>45246</b>	<b>YV5X2.7R4B-SA2L</b>	F1.3/2.7-13.5mm DC Varifocal Lens, No Focus Shift, 1/3" CS Mount
<b>77773</b>	<b>VT-PS12DCDT1</b>	PSU 12VDC/1.0A, Regulated, Desktop Version, 1.8m Cables each w. open ends
<b>93156</b>	<b>NT-MANAGER</b>	Remote Administration Interface Software for eneo NW Series NT, NX, NL
<b>43238</b>	<b>F03Z2.710DC-NFS</b>	F1.0/3-8mm DC Lens/var. Focal Length with No Focus Shift, 1/3" CS Mount
<b>79705</b>	<b>VTL-300/WW-POEB</b>	Weatherproof Housing, 300mm, Wall Bracket, Heater, Fan, 12V, RJ-45, PoE
<b>70527</b>	<b>NE-132/AC24V</b>	Power Supply Unit 230VAC/24VAC (1.0A)
<b>70495</b>	<b>VT-PS12DC-7</b>	Plugable PSU w. Cont. & UK Mains plug-in 100-240VAC/12VDC-1.25A, Regulated

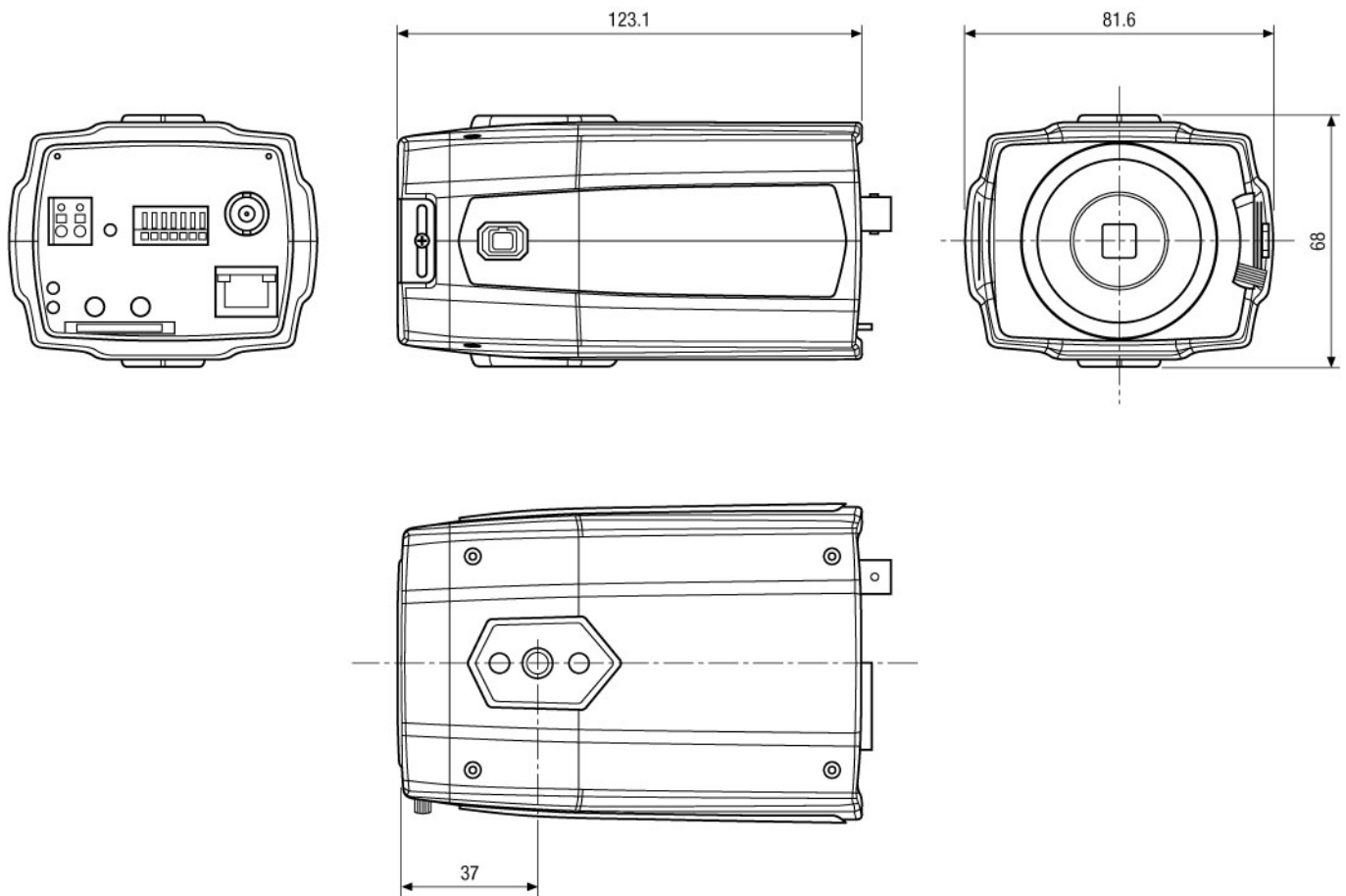
## NLC-1401

70771	WD-23	Wall Mount Bracket with Ball Joint, 1/4" Camera Fixing Screw, Pantone 877
70769	WD-22	Wall Mount Bracket with Ball Joint, 1/4" Camera Fixing Screw, Beige Grey
93159	NT-SMARTMANAGER	Utility S/W Tool for eneo Network Series NT, NX, NL
43251	G04Z03NDDC-NFS	F1.2/4.5-12.5mm DC Lens/variable Focal Length, No Focus Shift, 1/2" CS Mount
70836	WD-13-WA	Ceiling Mount with Ball Joint, 1/4" Camera Fixing Screw, RAL9006
43239	A10Z04NDDC-NFS	F1.4/10-40mm DC Lens/var. Focal Length with No Focus Shift, 1/2" C Mount
43249	F07Z07NDDC-NFS	F1.3/7.5-50mm DC Lens/var. Focal Length with No Focus Shift, 1/3" CS Mount

# NLC-1401

Home | Security | IP Cameras | Standard

## Technical drawing



Maße/Dimensions: mm