

## DC Controlled Lenses

FDP-No.: 43209

### K02Z03NDDC

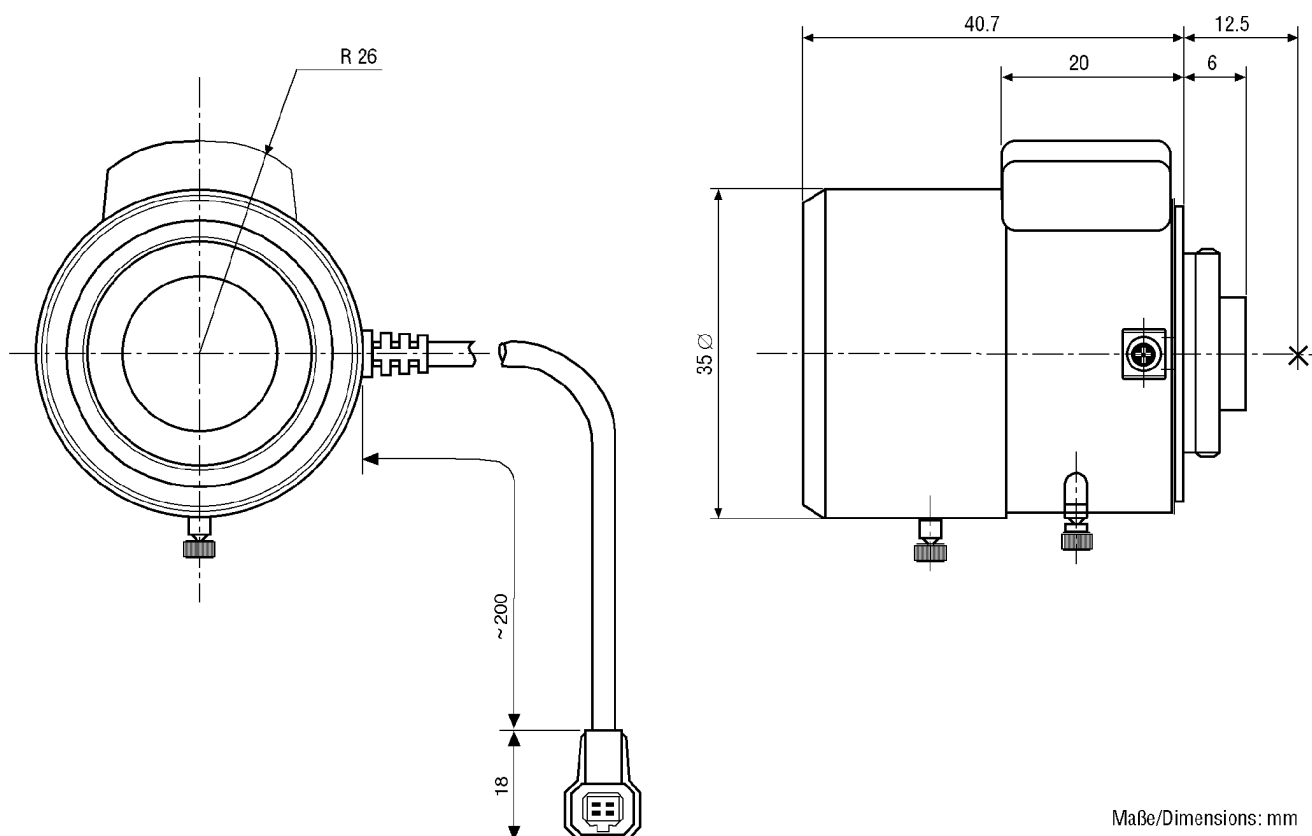
- Suitable for 1/2" and 1/3" Colour and B&W Cameras
- CS Mount
- Variable Focal Length
- High Standard of Optical and Mechanical Quality
- Without Built-in Auto Iris Amplifier
- With 4-pin Connector
- Adjustable Slip-ring Mount for Cable Positioning



### Specifications:

Focal length (f)	2.2-5.8 mm
Aperture range (F)	F1.4-F9.5
Mount	CS
Nominal format size	1/4"
Flange focal length	12.5 mm
Horizontal angle of view at nominal format size	95.9°-37.1°
Minimum object distance (M.O.D.)	0.2 m
Screw-in depth	6.0 mm
Filter screw size	-
Cable length	Approx. 20 cm
Slip-ring mount	340°-360° Variable adjustment range
Iris control system	Galvanometer
4-pin plug	Standard
Temperature range	-20°C to +50°C
Dimensions (LxDxH)	40.7x35x26 mm
Weight	80 g

Accessories	
EDP No. / Type	Description
43094 ACB	Auto iris control box for DC iris lenses to AI output. With integrated Level and ALC adj. potentiom.



Maße/Dimensions: mm

e-mail: [info@eneo-security.com](mailto:info@eneo-security.com) • [www.eneo-security.com](http://www.eneo-security.com)