

GLC-1603

Home | Security | IP Cameras | Standard

GLC-1603
1/3" Network Camera, CMOS, Day&Night MPEG-4,
MJPEG, VGA(640x480), PoE, 12/24V

Art-Nr. 92582



Lens not included

Main Features

1/3" Progressive scan CMOS sensor	On-screen display (OSD)
Sensitivity of 0.3Lux at F1.2 (Colour)	3GPP Mobile surveillance
Removal IR cut filter (ICR)	Simultaneous MJPEG & MPEG-4 video streaming
Integrated activity detection / Alarm in&output	Supports up to 25 ips. (PAL)
Supports privacy zones masking	Controllable bandwidth and frame rate
Equips two-way audio / Built-in microphone	Recording by SD/SDHC card / Alarm notification

Specifications

Series	eneo GL
System	Day&Night
Video standard	CCIR/PAL
Sensor size	1/3"
Imager	CMOS, Progressive scan
Sensitivity (at 50% video signal)	0,3 Lux, (colour); 0.15Lux (B&W) at F1.2 (measured)
Digital signal processing (DSP)	IT TMS320DM355 (digital media processor)
Automatic gain control (AGC)	ON/OFF switchable
Automatic electronic shutter (ESC)	1/50 ~ 1/15,000sec.
Digital Noise Reduction (DNR)	no
Low Speed Shutter	no, Auto/Hold
Wide Dynamic Range (WDR)	no
Backlight compensation	BLC

GLC-1603

(Continuation Specifications)

Flickerless function	yes
IR cut filter	switchable
Mirror function	horizontal, vertical
Privacy zones masking	ON/OFF switchable
Activity detection	yes
Motion detector	96 areas, 5 levels
Text display	11 character labels, ON/OFF switchable
Menu languages	English
OSD function control	H/V flip (Mirror picture), Contrast, Sharpness & Brightness correction, Exposure, AGC, ESC, AWB, BLC, Motion detection, Privacy zones masking, Day&Night (automatic / manual), Text, Image size and bit rate
External adjustments	IP protocol stat./dyn., ESC / DC iris lens
External connections	Video (BNC), Network (RJ-45), Audio & Alarm Inputs/Outputs, DC Iris (4 pin), USB, RS-485, Power inputs
Video outputs	composite (CVBS), 1Vp-p (C)VBS, 75ohms, BNC
Audio support	yes
Audio	1/1 Line input and output, Built-in Microphone
Alarm inputs	yes, 1
Alarm outputs	1
Alarm handling	via FTP, HTTP or SMTP. External output activation. SD/SDHC card recording, CMS S/W recording
Internal storage	SD card
Compression standard	MJPEG, MPEG-4
Resolution max.	640 x 480
Resolution	640x480 (VGA), 320x240 (QVGA)
Image transm. rate max.	25 B./Sek.
Frame rate	25 Fps. max. at 640x480 Px.
Bandwidth	Controllable bandwidth and frame rate
Stream types	MPEG-4, MJPEG alternating
Image display	Via Web Browser or Viewer Software
Ethernet interface	10Base-T, 100Base-TX
Network protocols	IPv4, ARP, SMTP, ICMP, DNS, DDNS, HTTP, HTTPS, FTP, DHCP, UPnP, RTSP, RTP, RTCP, TCP, UDP, PPPoE
Remote configuration	via Remote Software
Lens	F1.4/3.3 ~12mm
Lens mount	CS mount
Digital Zoom	2x ~10x
Pre-alarm recording	up to 3sec.
Search function	Alarm/Event/Time searching
Serial interfaces	RS-485, Protocols: Pelco P & D
Access	16 Users simultaneous support

GLC-1603

(Continuation Specifications)

Software update	SD card / HTTP (Web browser)
Password protection	yes
Management Software Support	CMS Software
PTZ Support	yes
Power consumption	2.5W
Temperature range (Operation)	0°C ~+50°C
ONVIF	version 1.01
Supply voltage	12VDC, 24VAC, PoE
Power over Ethernet	yes
Protection rating	n/a
Certificates	CE
Parts supplied	PSU 100~240V/12VDC with power cord, USB cable, C/CS adapter ring, CMS software, manual
Weight	400g
Dimensions (HxWxD)	see drawing
Remarks	Free bundle recording software, SDK incl. HTTP-API and ActiveX available

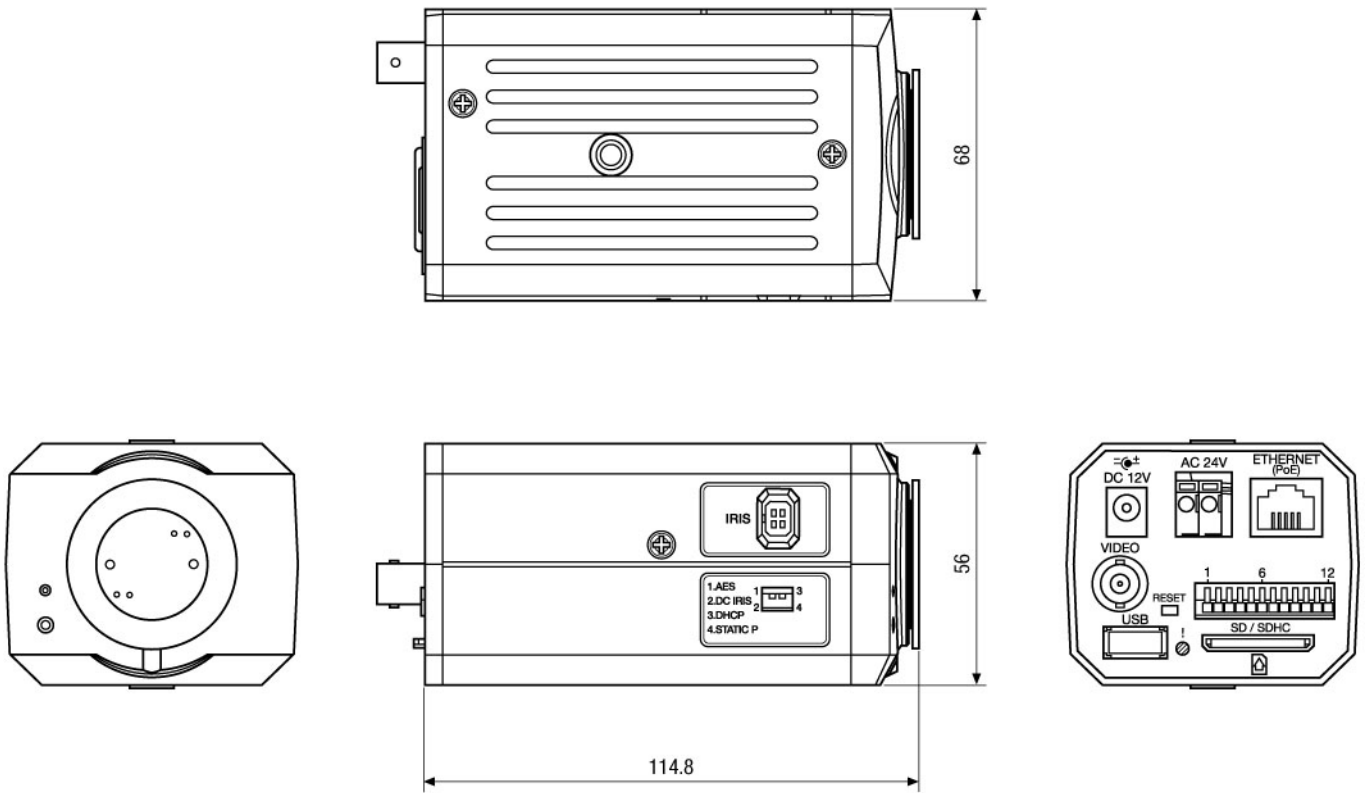
Optional accessories

45246	YV5X2.7R4B-SA2L	F1.3/2.7-13.5mm DC Varifocal Lens, No Focus Shift, 1/3" CS Mount
43238	F03Z2.710DC-NFS	F1.0/3-8mm DC Lens/var. Focal Length with No Focus Shift, 1/3" CS Mount
79705	VTL-300/WW-POEB	Weatherproof Housing, 300mm, Wall Bracket, Heater, Fan, 12V, RJ-45, PoE
70527	NE-132/AC24V	Power Supply Unit 230VAC/24VAC (1.0A)
70771	WD-23	Wall Mount Bracket with Ball Joint, 1/4" Camera Fixing Screw, Pantone 877
70769	WD-22	Wall Mount Bracket with Ball Joint, 1/4" Camera Fixing Screw, Beige Grey
43251	G04Z03NDDC-NFS	F1.2/4.5-12.5mm DC Lens/variable Focal Length, No Focus Shift, 1/2" CS Mount
70836	WD-13-WA	Ceiling Mount with Ball Joint, 1/4" Camera Fixing Screw, RAL9006
43239	A10Z04NDDC-NFS	F1.4/10-40mm DC Lens/var. Focal Length with No Focus Shift, 1/2" CS Mount
43249	F07Z07NDDC-NFS	F1.3/7.5-50mm DC Lens/var. Focal Length with No Focus Shift, 1/3" CS Mount
92547	GL CMS-MANAGER	Remote Administration Software for eneo Network Series GL, MJPEG, MPEG4, H.264

GLC-1603

Home | Security | IP Cameras | Standard

Technical drawing



Maße/Dimensions: mm