

Video Security



G04Z03M-NFS

F1.2/4.5-12.5mm Lens, Var. Focal Length
with No Focus Shift, 1/2", CS Mount

Art-No. 43252



Features

Suitable for 1/2" and 1/3" Colour and B&W Cameras
No-Focus-Shift from Visible to Near IR Light Range
Variable Focal Length
Aspherical Lens Elements
CS Mount

High Standard of Optical and Mechanical Quality
Without Built-in Auto Iris Amplifier
4-pin Connector for DC Iris Control
Adjustable Slip-ring Mount for Cable Positioning

Specifications

Nominal format size	1/2"
Focal length (f)	4.5 ~ 12.5mm
Aperture range (F)	F1.2 ~ C
Flange focal length	12.5mm
Horizontal angle of view at nominal format size	83.7° ~ 30.1°
Focus constant range	+0.04mm at f4.5; +0.05mm at f8; +0.035mm at f12.5mm (Focus deviation at switch-over to IR light at 880nm)
Minimum object distance (M.O.D.)	0.3m
Screw-in depth	5.4mm
Filter screw size	M35.5x0.5mm
Lens mount	CS
Temperature range	-20°C ~ +50°C
Dimensions (LxDxH)	see drawing
Weight	66g

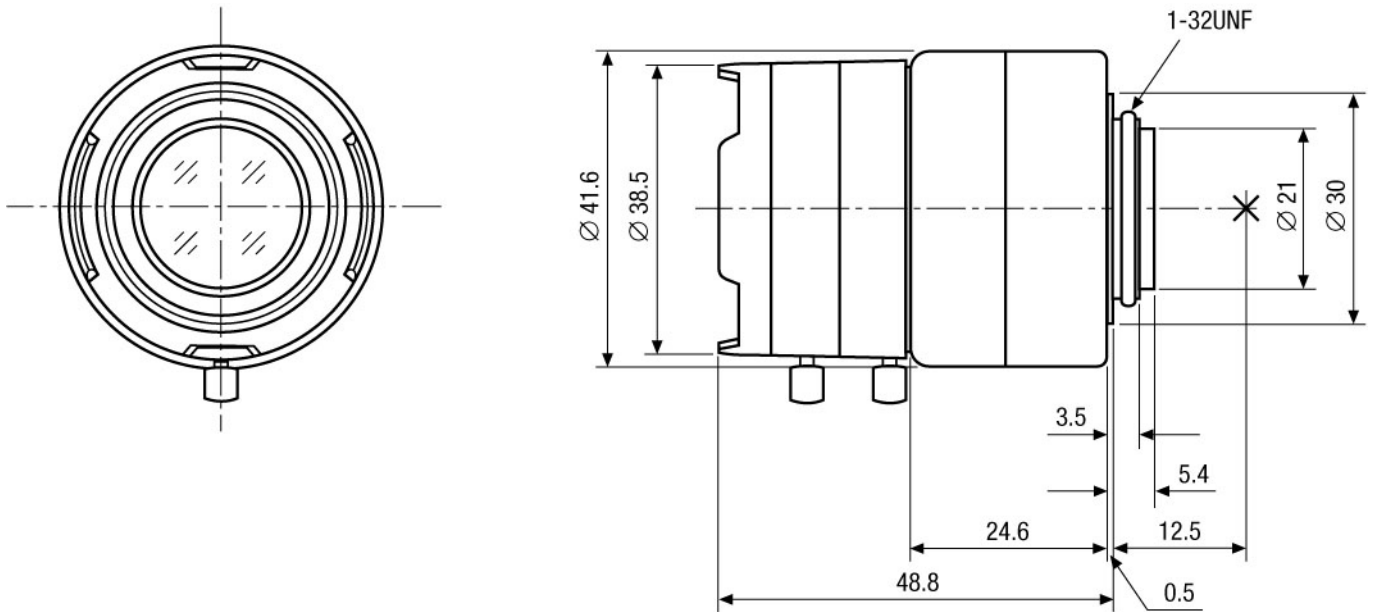
Accessories of

92486 / CG-311PA1V

1/3" Day/Night Camera with Switchable IR Cut Filter,
DSP, 12VDC/24VAC, 480TVL

(Accessories of continued)

92488 / CG-301PA1V	1/3" Day/Night Multifunction Camera with WDR, OSD, DSS, 12VDC/24VAC, 480TVL
91995 / VKC-1335/12-24	1/3" D&N, WDR, DSS Camera with Removable IR CF, CS Mount, 12/24V, 480TVL
91996 / VKC-1335	1/3" D&N, WDR, DSS Camera with Removable IR CF, CS Mount, 230VAC, 480TVL
91892 / VKC-1319IR12-24	1/3" Day/Night Camera with Switchable IR Cut Filter, DSP, 12VDC/24VAC, 510TVL
91937 / VKC-1319/IR	1/3" Day/Night Camera with Switchable IR Cut Filter, DSP, 230VAC, 510TVL
91943 / VKC-1323/IR-12V	1/3" Day/Night Camera with Switchable IR Cut Filter, DSP, 12VDC, 480TVL
91968 / VKC-1330/IR	1/3" Day/Night Camera, DSP, EDR, RS-485, Rem. IR Cut Filter, 230VAC, 510TVL
91967 / VKC-1330IR12-24	1/3" Day/Night Camera, DSP, EDR, RS-485, Rem. IR Cut Filter, 12VDC/24VAC, 510TVL
92038 / VKC-1340IR12-24	1/3" Day/Night Camera, HighRes 540TVL, Removable IR Cut Filter, 12VDC/24VAC
92039 / VKC-1340/IR	1/3" Day/Night Camera, HighRes 540TVL, Removable IR Cut Filter, 100-240VAC
91423 / ENC-501L	1/3" Network Colour Camera w. CS Mount, integr. Web Server, 5VDC/230VAC, 340TVL
91089 / TK-C1460BE	1/2" D/N Camera, DSP 12VDC/24VAC, 480TVL
91438 / ENC-501W	1/3" WLAN Colour Camera with Antenna CS-Mount, 6mm Lens, 5VDC/230VAC, 340TVL
91461 / ENC-1003L	1/3" Network Colour Camera w. CS Mount, integr. Web Server, 12VDC/230VAC, 480TVL
91601 / EVQ-1000	1/2" Progressive Scan CMOS Camera, 16:9 HDTV, 1280x720 Pixel, 12VDC/24VAC
92064 / VKC-1341/12-24	1/3" Colour Camera, HighRes 540TVL, 12VDC/24VAC
92065 / VKC-1341	1/3" Colour Camera, HighRes 540TVL, 100-240VAC



Maße/Dimensions: mm

VIDEOR TECHNICAL E. Hartig GmbH
 Carl-Zeiss-Straße 8 · 63322 Rödermark · Germany
 Telefon +49 (0) 60 74/8 88-0 · Telefax +49 (0) 60 74/8 88-100
 info@videortechnical.com · www.videortechnical.com