

## AI Controlled Lenses

FDP-No. : 43187

### G0210NDAI

- Suitable for 1/2" and 1/3" Colour and B&W Cameras
- CS Mount
- High Standard of Optical and Mechanical Quality
- Aspherical lens
- Built-in Auto Iris Amplifier
- Adjustable Slip-ring Mount for Cable Positioning

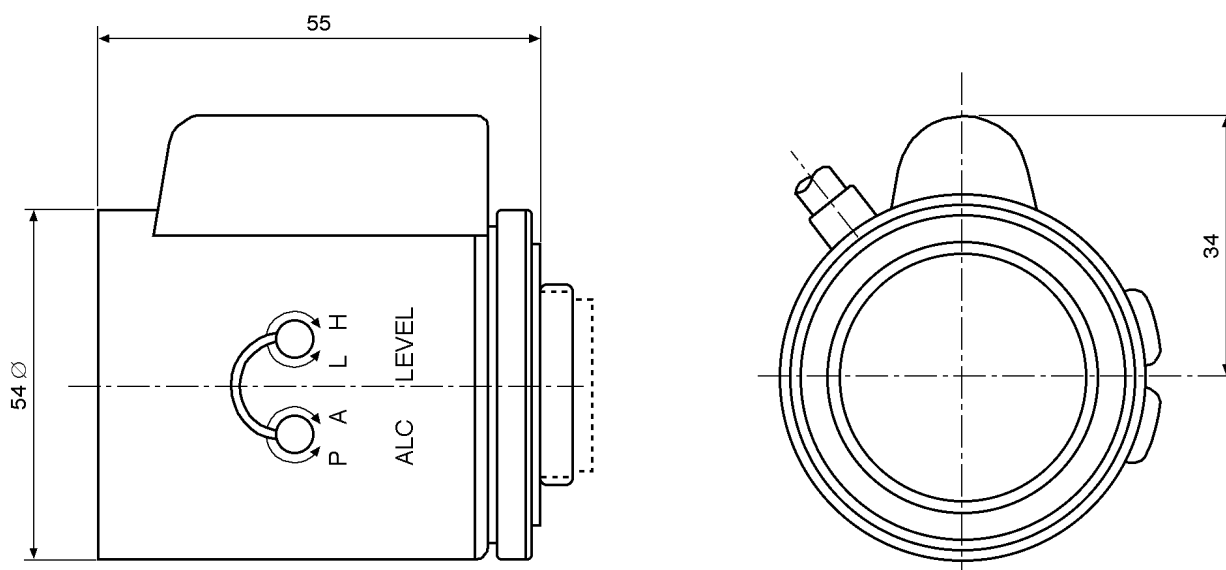


---

### Specifications:

---

Focal length (f)	2.6 mm
Aperture range (F)	F1.0-F360
Mount	CS
Nominal format size	1/2"
Flange focal length	12.5 mm
Horizontal angle of view at nominal format size	122.8°
Minimum object distance (M.O.D.)	0.1 m
Screw-in depth	B&W: 7.8 / Colour: 4.0 mm
Filter screw size	-
Slip-ring mount	340°-360° Variable adjustment range
Iris control system	Galvanometer
Supply voltage	8-16 VDC
Input signal range	0.5 to 1.0 Vp-p (C)CVS
Max. current consumption	35 mA
Response time	<2 sec.
Accuracy at +20°C	+/-15 %
Cable length	350 cm
Dimensions (LxDxH)	55x54x34 mm
Temperature range	-20°C to +50°C
Weight	143 g



Maße/Dimensions: mm

e-mail: [info@eneo-security.com](mailto:info@eneo-security.com) • [www.eneo-security.com](http://www.eneo-security.com)