

DC Controlled Lenses

FDP-No.: 43167

F05Z15NDDC

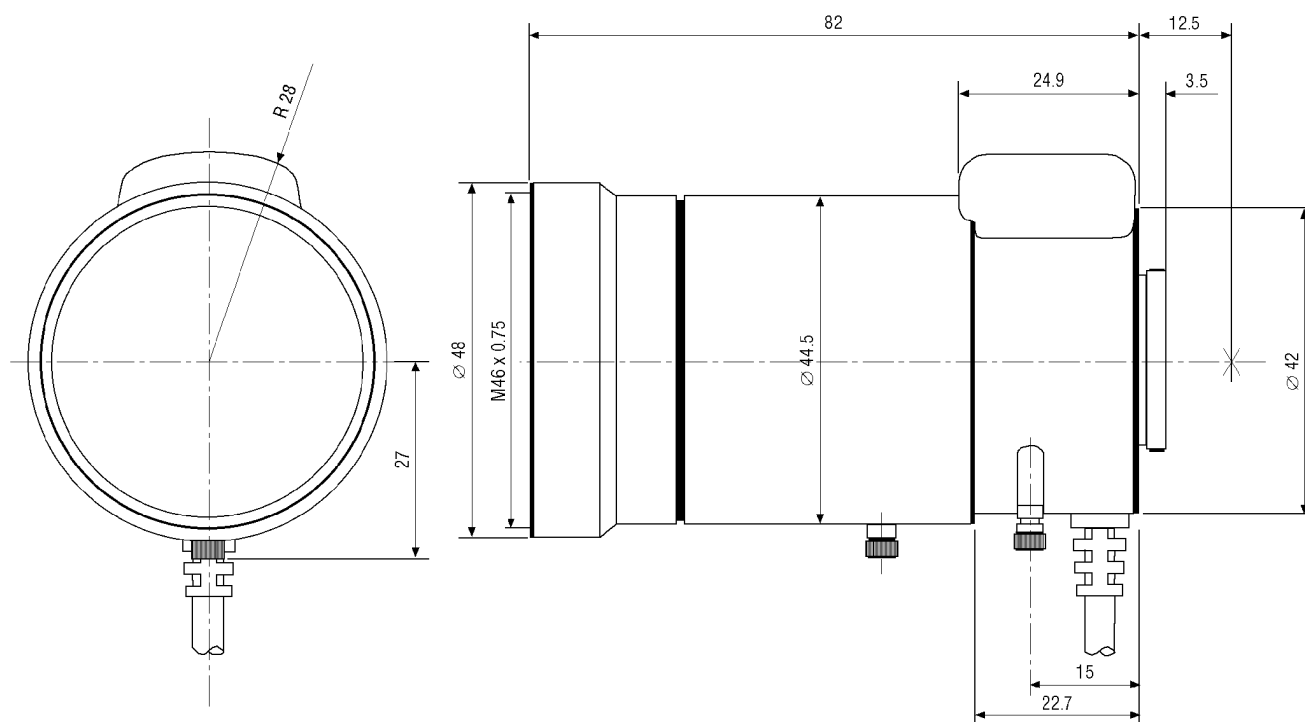
- Suitable for 1/3" and 1/4" Colour and B&W Cameras
- CS Mount
- Variable Focal Length
- High Standard of Optical and Mechanical Quality
- Without Built-in Auto Iris Amplifier
- With 4-pin Connector
- Adjustable Slip-ring Mount for Cable Positioning



Specifications:

Focal length (f)	5,5-82,5 mm
Aperture range (F)	F1.8-F125
Mount	CS
Nominal format size	1/3"
Flange focal length	12.5 mm
Horizontal angle of view at nominal format size	50,7°-3,1°
Minimum object distance (M.O.D.)	W: 0.2 m / T: 1.0 m
Screw-in depth	4.0 mm
Filter screw size	M46x0.75 mm
Cable length	Approx. 20 cm
Slip-ring mount	340°-360° Variable adjustment range
Iris control system	Galvanometer
4-pin plug	Standard
Temperature range	-20°C to +50°C
Dimensions (LxDxH)	82,5x48x27 mm
Weight	200 g

Accessories	
EDP No. / Type	Description
43094 ACB	Auto iris control box for DC iris lenses to AI output. With integrated Level and ALC adj. potentiom.



Maße/Dimensions: mm

e-mail: info@eneo-security.com • www.eneo-security.com