

# Video Security



## F05Z10NDDC

F1.4/5-50mm Aspherical DC Lens, 1/3" CS Mount, Variable Focal Length

Art-No. 43196



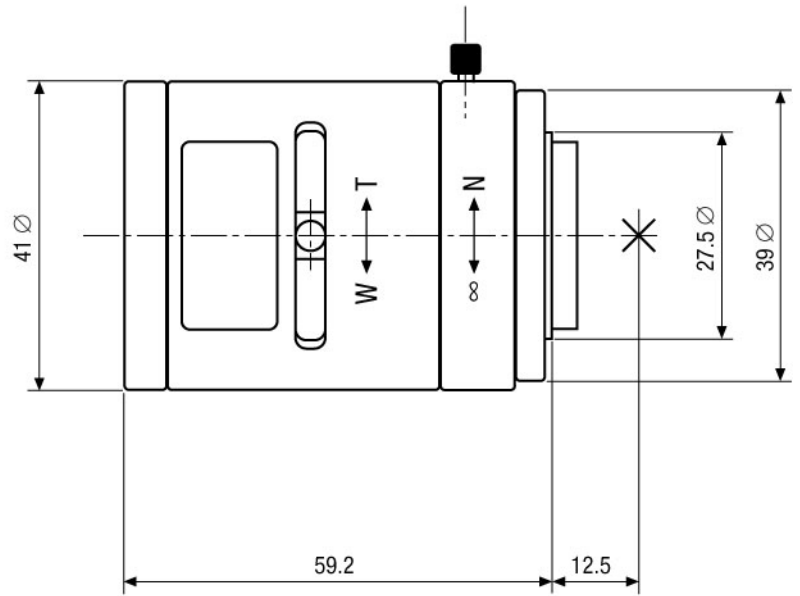
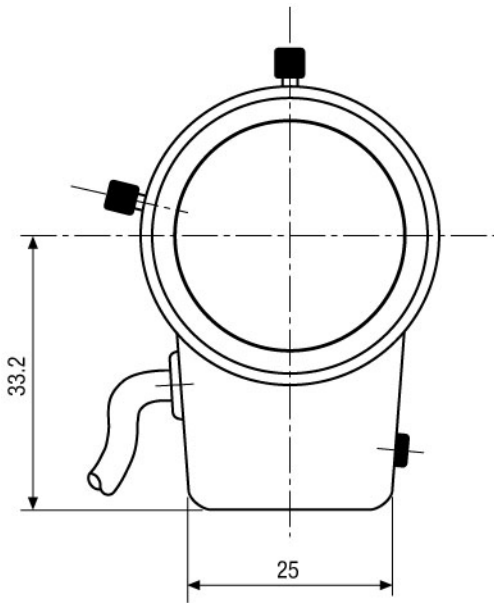
## Features

Suitable for 1/3" and 1/4" Colour and B&W Cameras  
Variable Focal Length  
Aspherical Lens Elements  
CS Mount

High Standard of Optical and Mechanical Quality  
Without Built-in Auto Iris Amplifier  
4-pin Connector for DC Iris Control  
Adjustable Slip-ring Mount for Cable Positioning

## Specifications

Nominal format size	1/3"
Focal length (f)	5-50 mm
Aperture range (F)	F1.4-F64
Iris control system	Galvanometer
Horizontal angle of view at nominal format size	53.4°-5.3°
Minimum object distance (M.O.D.)	1.0 m
Flange focal length	12.5 mm
Screw-in depth	4.0 mm
Filter screw size	-
Slip-ring mount	340°-360° Variable adjustment range
Cable length	Approx. 20 cm
4-pin plug	Standard
Lens mount	CS
Temperature range	-20°C to +50°C
Dimensions (LxDxH)	59.2x41x33.2 mm
Weight	97 g



Maße/Dimensions: mm

VIDEOR TECHNICAL E. Hartig GmbH  
 Carl-Zeiss-Straße 8 · 63322 Rödermark · Germany  
 Telefon +49 (0) 60 74/8 88-0 · Telefax +49 (0) 60 74/8 88-100  
 info@videortechnical.com · www.videortechnical.com

