

# Video Security



## F03Z02NDDC

F1.2/2.8-6mm Aspherical DC Lens, 1/3"  
CS Mount, Variable Focal Length

Art-No. 43129



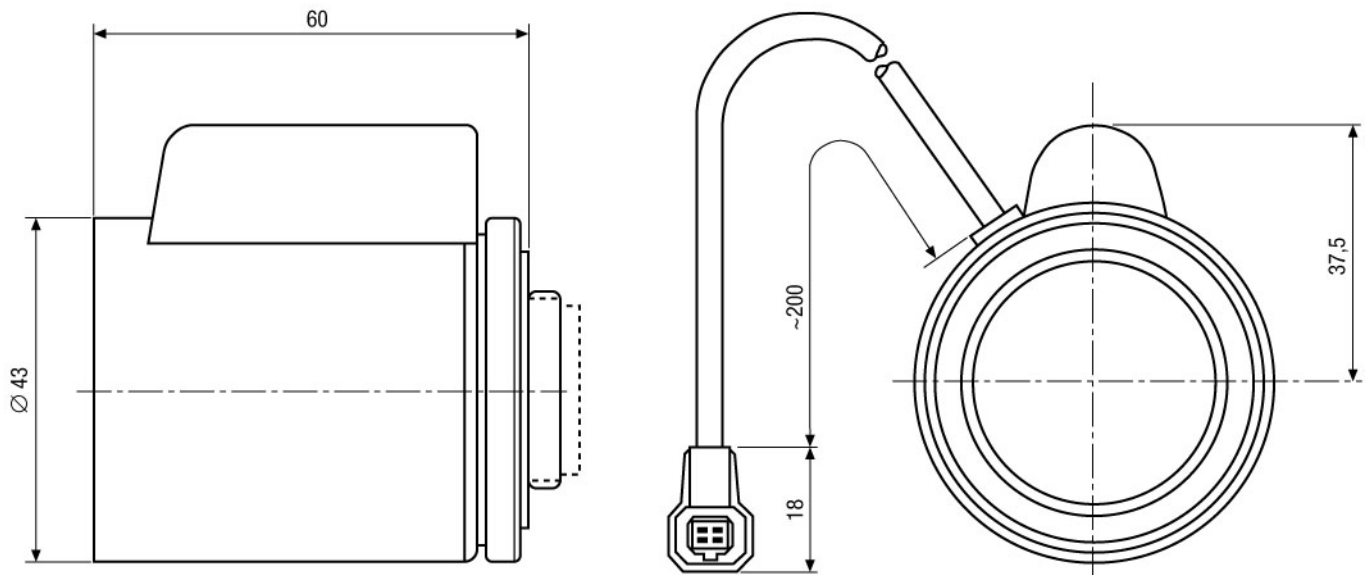
## Features

Suitable for 1/3" and 1/4" Colour and B&W Cameras  
Variable Focal Length  
Aspherical Lens Elements  
CS Mount

High Standard of Optical and Mechanical Quality  
Without Built-in Auto Iris Amplifier  
4-pin Connector for DC Iris Control  
Adjustable Slip-ring Mount for Cable Positioning

## Specifications

Nominal format size	1/3"
Focal length (f)	2.8-6 mm
Aperture range (F)	F1.2-F64
Iris control system	Galvanometer
Horizontal angle of view at nominal format size	88.7°-44.2°
Minimum object distance (M.O.D.)	0.3 m
Flange focal length	12.5 mm
Screw-in depth	4.0 mm
Filter screw size	-
Slip-ring mount	340°-360° Variable adjustment range
Cable length	Approx. 20 cm
4-pin plug	Standard
Lens mount	CS
Temperature range	-20°C to +50°C
Dimensions (LxDxH)	60x43x37.5 mm
Weight	95 g



Maße/Dimensions: mm

VIDEOR TECHNICAL E. Hartig GmbH  
 Carl-Zeiss-Straße 8 · 63322 Rödermark · Germany  
 Telefon +49 (0) 60 74/8 88-0 · Telefax +49 (0) 60 74/8 88-100  
 info@videortechnical.com · www.videortechnical.com

