

# Video Security



## F03Z02NDAI

F1.2/2.8-6mm Apherical AI Lens, 1/3" CS Mount, Variable Focal Length

Art-No. 43156



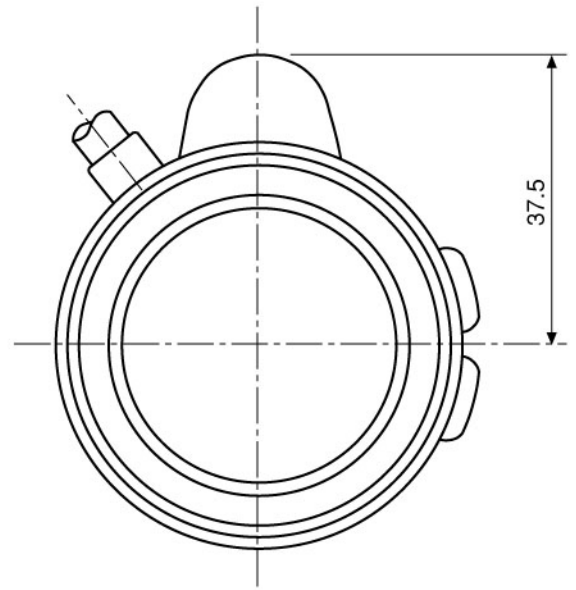
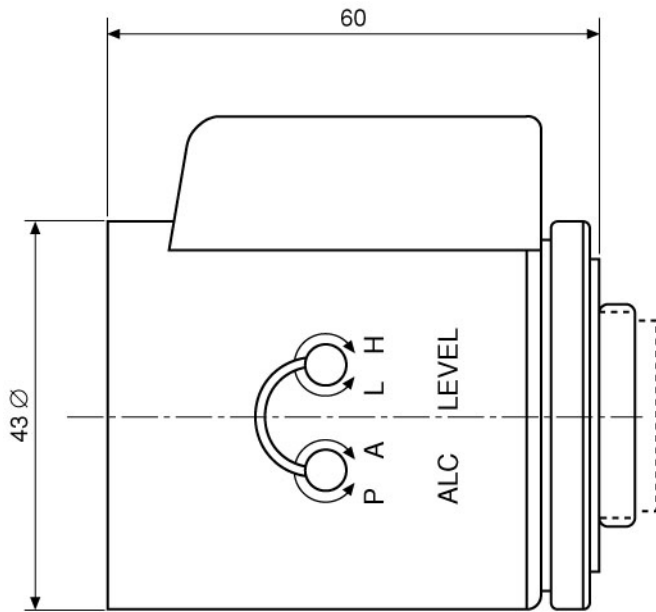
## Features

Suitable for 1/2" and 1/3" Colour and B&W Cameras  
Variable Focal Length  
Aspherical Lens Elements  
CS Mount

High Standard of Optical and Mechanical Quality  
Built-in Auto Iris Amplifier  
Adjustable Slip-ring Mount for Cable Positioning

## Specifications

Focal length (f)	2.8-6 mm
Aperture range (F)	F1.4-F64
Lens mount	CS
Nominal format size	1/3"
Flange focal length	12.5 mm
Horizontal angle of view at nominal format size	88.7°-44.2°
Minimum object distance (M.O.D.)	0.3 m
Screw-in depth	4.0 mm
Filter screw size	-
Slip-ring mount	340°-360° Variable adjustment range
Iris control system	Galvanometer
Input signal range	0.7 to 1.0 Vp-p (C)CVS
Response time	<2 sec.
Accuracy at +20°C	+/-10 %
Max. current consumption	<50 mA
Cable length	>50 cm
Dimensions (LxDxH)	60x43x37.5 mm
Temperature range	-20° to +50°C
Weight	103 g



Maße/Dimensions: mm