

DC Controlled Lenses

FDP-No. : 47146

F0214NDDC

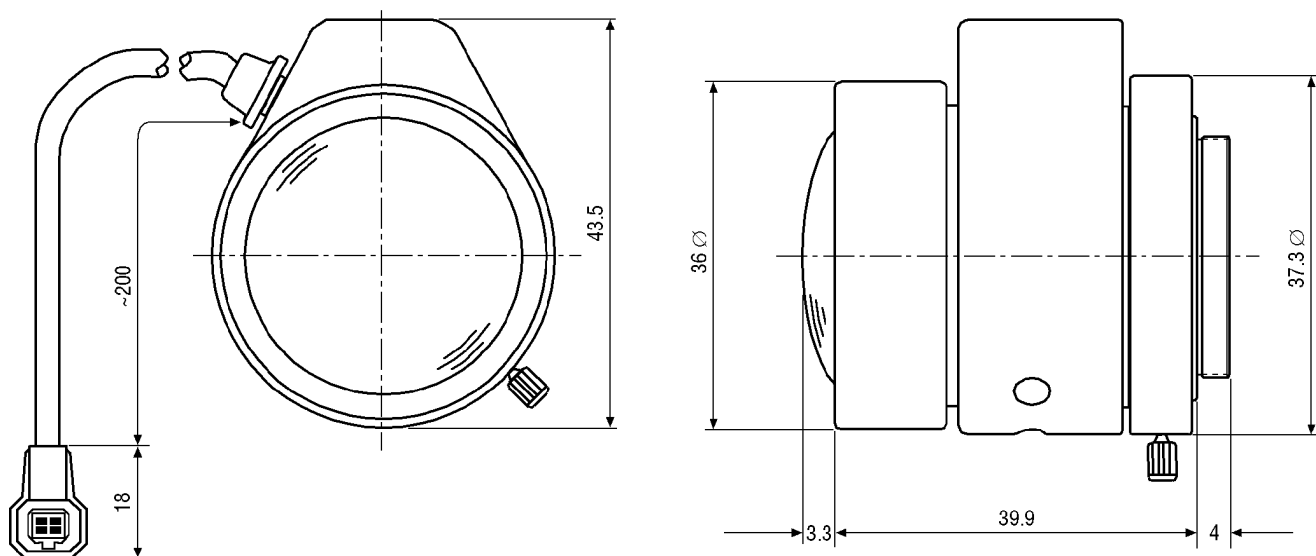
- Suitable for 1/2" and 1/3" Colour and B&W Cameras
- CS Mount
- High Standard of Optical and Mechanical Quality
- DC Controlled
- With 4-pin connector
- Adjustable Slip-ring Mount for Cable Positioning



Specifications:

Focal length (f)	2.3 mm
Aperture range (F)	F1.4-F360
Mount	CS
Nominal format size	1/3"
Flange focal length	12.5 mm
Horizontal angle of view at nominal format size	111.9°
Minimum object distance (M.O.D.)	0.05 m
Screw-in depth	4.0 mm
Filter screw size	-
Cable length	Approx. 20 cm
Slip-ring mount	340°-360° Variable adjustment range
Iris drive system	Galvanometer
4-pin plug	Standard
Temperature range	-20°C to +50°C
Dimensions (LxDxH)	43.2x37.5x25.5 mm
Weight	75.4 g

Accessories	
EDP No. / Type	Description
43094 ACB	Auto iris control box for DC iris lenses to AI output. With integrated Level and ALC adj. potentiom.



Maße/Dimensions: mm

e-mail: info@eneo-security.com • www.eneo-security.com