

Video Security

Dome Cameras | eneo Minitrax Domes

EDMC-2221

1/4" D&N High Speed Mini Dome Camera,
360°, 22x Zoom Lens, 12VDC/24VAC, 480TVL

Art-No. 74131



Features

Vandal Resistant PTZ Day&Night Mini Dome Camera
22x Optical and 11x Digital Zoom (242x Total)
Zoom Lens: F1.6/3.9-85.8mm
Panning Angle: 360° Continuous Rotation
Horizontal Speed Range: 375°/sec. max.
60 Presets / 4 Auto Scan Courses

4 Tours with 4 Presets each / Home Position
On-screen Menu Control and Camera ID Display
High and Low Speed Shutter (ESC/DSS)
Digital Noise Reduction (DNR)
RS-485 Control Interface
Supply Voltage: 12VDC/24VAC

Specifications

Video standard	CCIR/PAL
System	day&night
Sensor size	1/4"
Imager	CCD, Sony Super HAD Interline Transfer CCD
Active picture elements	approx. 480,000, 795(H) x 596(V)
Synchronization	Internal/AC line lock
Signal-to-noise ratio	50dB (AGC OFF)
Sensitivity (at 50% video signal)	0,3Lux, (colour); 0,16Lux (B&W). VT measurement result at F1.2
Exposure modes	Automatic or manual mode: Iris, Shutter and AGC. Automatic mode: Iris priority, Shutter priority
Speed (manual control)	150°/Sek.
Preset speed	375°/Sek.
Rotation range	continuous: 360°
Tilt range	0° ~ 90°
Preset positioning	60 presets
Tours	Up to 4 User programmable guard tours with 4 presets each

(Specifications continued)

Autoscan	4 User programmable auto scans. Speed: 7°/sec
Programmable park position	Included
Zones	8 zones with programmable label
Digital signal processing (DSP)	Yes
Automatic gain control (AGC)	Automatic, 30dB max. (On/Off switchable)
Shutter modes	High and Low Speed shutter
Manual electronic shutter (MES)	1/50 ~ 1/10.000sec.
Low speed shutter (DSS)	1/30sec. ~ 1sec. (60 Fps.)
Integration rate	no
Wide dynamic range	On/Off switchable
Flickerless function	Supplied
White balance (ATW)	Automatic (AWB) selectable for indoor and outdoor, or manual. Wide range auto mode (WAWB)
Backlight compensation	BLC, On/Off switchable
Aperture Correction (APC)	Horizontal and vertical
IR cut filter	no
Video outputs (type)	CVBS, VBS
Video outputs	1Vp-p, (C)VBS, 75ohms, BNC
Lens mount	integrated lens
Lens type	zoom
Lens	F1.6 ~ F75/3.9 ~ 85.8mm (22x optical, 12x digital zoom)
Application range	security
Nominal format size	1/3"
Aspherical technology	no
Focal length	3,9-85,8mm
Horizontal angle of view	50-2,46°
Digital Zoom	11x
Aperture range (F)	F1.6 ~ F360
Zoom range	22x
Focus control	Automatic (manual override and programmable: 0.1m/1.0m/1.5m/2.5m/6.0m)
Iris control	auto iris, Manual override
Mount	n/a
Alarm input	1
Alarm outputs	1
Picture adjustments	Brightness (90 steps), Sharpness (15 steps), Mirror
Menu driven set-up	On/Off switchable
Menu languages	English
OSD function control	PIP, Freeze, Digital zoom, Digital noise reduction (DNR) ON/OFF. Mirror, Negativ/Positiv image. Digital image stabilization (DIS), Wide dynamic range (WDR) or Shutter mode
Text display	Available
Sharpness correction	Adjustment range: 0 ~ 15
Brightness	Range: 0 ~ 90

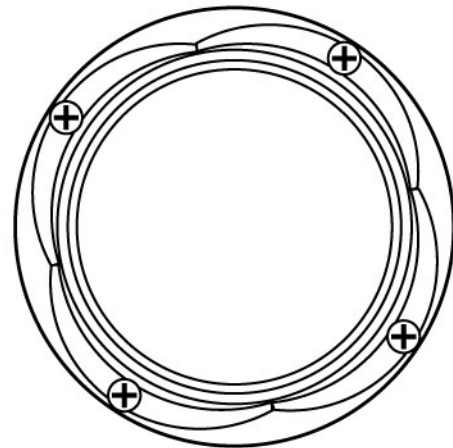
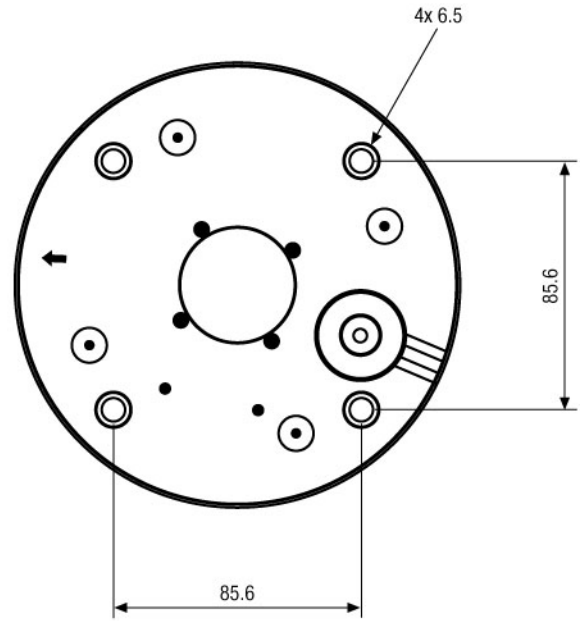
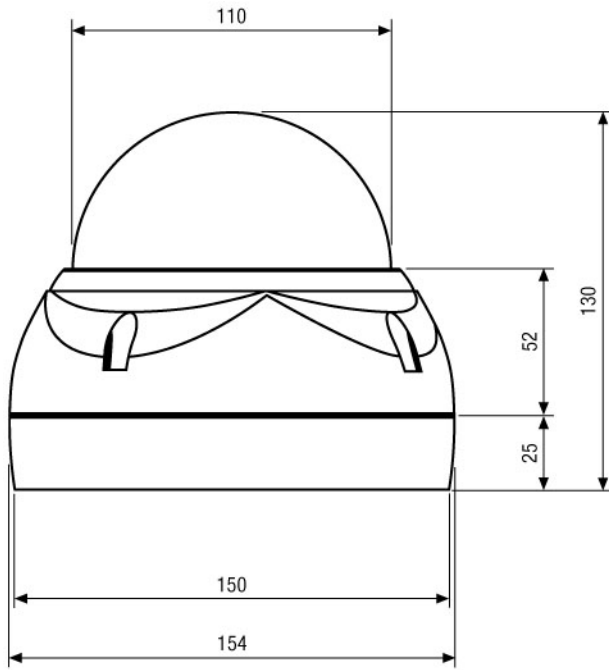
EDMC-2221

(Specifications continued)

Day / Night Switching	Automatic or manual
Operation protection	Available
Addresses	Up to 63 Dome ID's
Keyboard control	Direct mode control with Eneo EDC-KBD(M) keyboard series, or in conjunction with the eneo DVR series DLR, DTR and DPR
Remote control	Camera remote settings via keyboard
Serial interfaces	RS-485, 9600Baud, 63 camera ID addresses selectable. Besides the keyboard control via the eneo EDC-KBD(M) series, the control via matrix, switchers and keyboards with Pelco P&D protocol is possible.
Temperature range (Operation)	-10°C ~ +40°C
Heater	yes
Temperature range with built-in heater	-20°C ~ +40°C
Protection rating	IP66, at installation according to the manual
Supply voltage	12VDC, 24VAC
Power consumption	12watts max.
Vandalism resistant	yes
Bubble	4.3" (110mm), Acryl/clear
Colour (bubble)	clear
Camera fixing	no
Camera mount	Ceiling mount or using EDMC/CWB wall and ceiling bracket
Mounting	in-ceiling mount, wall mount
Housing	outdoor housing
Housing material	aluminium
Colour (housing)	Pantone Cool Gray 1C
Weight	1.3kg

Accessories

70527 / NE-132/AC24V	Power Supply Unit 230VAC/24VAC (1.0A)
70449 / NE-128	Voltage supply unit 230V/24VAC-5A, IP66
74088 / EDC-KBD1	System Keyboard with 3-axis Joystick, 12VDC/230VAC
74092 / EDC-KBDM-3	System Keyboard w. Joystick, 5" Monitor 12VDC/230VAC, Fastrax Protocol
74089 / EDC-CR1	Converter RS-232/RS-485, Repeater RS-485
74094 / EDC-COAX	Coax Telemetry Board for VPT-41/42, EDC/EDMC Series. assembled
74124 / FASTRAX_CONFIG	Configuration Software for Eneo Fastrax, Minitrax Dome Cameras and VKC-1416



Maße/Dimensions: mm

VIDEOR TECHNICAL E. Hartig GmbH
 Carl-Zeiss-Straße 8 · 63322 Rödermark · Germany
 Telefon +49 (0) 60 74/8 88-0 · Telefax +49 (0) 60 74/8 88-100
 info@videortechnical.com · www.videortechnical.com