

Video Security

Dome Cameras | eneo MiniTrax Domes

EDMC-141

1/4" Colour High Speed Mini Dome Camera
10x Zoom Lens, 24VAC, 430TVL

Art-Nr. 74096



Features

1/4" Vandal Proof PTZ Colour Dome Camera
10x Optical and 10x Digital Zoom (100x Total)
Zoom Lens: F1.6/3.15-31.5mm
Horizontal Pan Range: 0 to 359°
Horizontal Speed Range: 0 to 120°/Sek.
60 Presets / 4 Auto Scan Courses

4 Tours with 4 Presets each
On-screen Menu Control and Camera ID Display
High Speed Shutter (AES)
Automatic and Manual White Balance (ATW)
RS-485 Interface
Supply Voltage: 12VDC/24VAC, IP Rating: IP66

Specifications

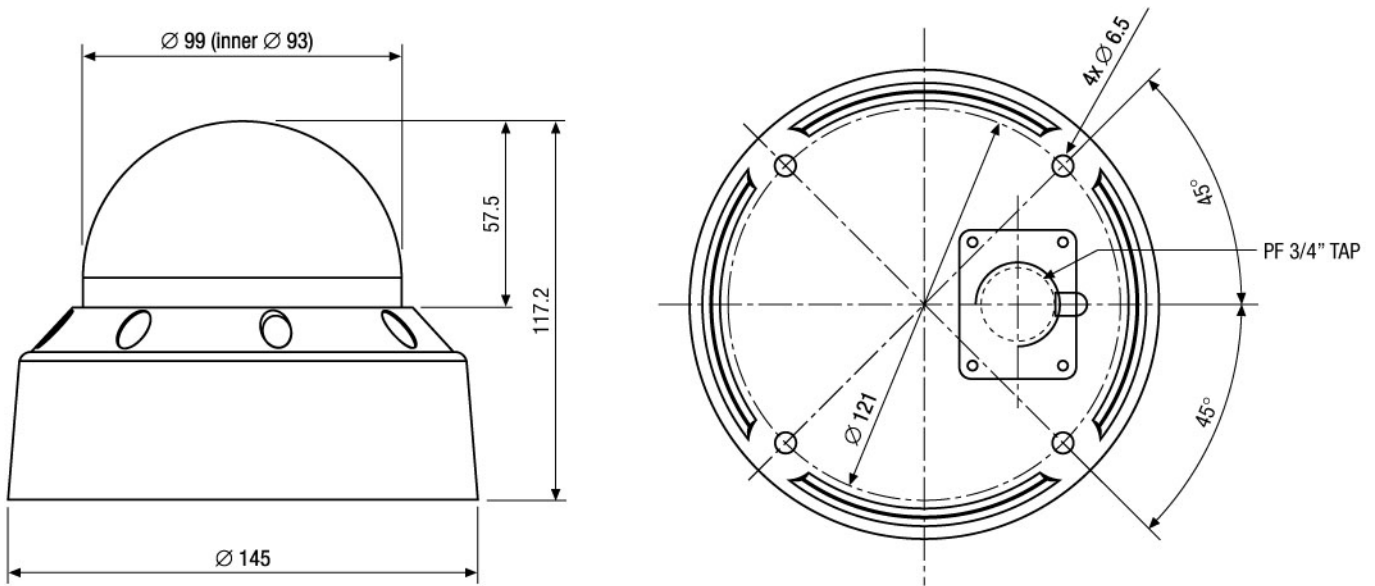
Picture adjustments	Brightness (90 steps), Sharpness (15 steps), Mirror
Backlight compensation (BLC)	ON/OFF switchable
Tilt range	10° ~ 90°
Colour	Beige grey
Camera mount	Ceiling mount or using EDMC/CWB wall and ceiling bracket
Exposure modes	Automatic or manual mode, Iris priority, Shutter priority
High-speed shutter (ESC)	1/50 ~ 1/10,000sec.
Alarm input	1
Addresses	Up to 64 Dome ID's
Horizontal resolution	430 TV lines
Autoscan	4 User programmable auto scans. Speed: 7°/sec
White balance	Modes: Manual, Automatic, Indoor, Outdoor
Backlash	+/-0.1°
Text display	Available
Video output	1Vp-p, CVBS, 75ohms, BNC

(Specifications continued)

Keyboard control	Direct mode control with Eneo EDC-KBD(M) keyboard series, or in conjunction with the eneo Triplex Multiplexer series VBMT/VCMT-8000 and DVR series DLR(2) and DXR
Tours	Up to 4 User programmable guard tours with 4 presets each
Horizontal angle of view	60° (Wide); 6.5° (Tele end)
Preset positioning	60 presets
Sensitivity	1.5Lux at F1.6; 0.85Lux at F1.2 (VT measurement result)
Remote control	Camera remote settings via keyboard
Menu driven set-up	ON/OFF switchable
Focus control	Automatic with manual override
Control interfaces	RS-485, 9600Baud, 64 camera ID addresses selectable. Besides the keyboard control via the eneo EDC-KBD(M) series, the control via matrix switchers and keyboards with Pelco D protocol is possible.
Speed range at manual control (tilt)	120°/sec. max.
Bubble	3.5" (88mm), clear acrylic plastic
Speed range at manual control (pan)	120°/sec. max.
Dimensions (HxWxD)	See drawing
Temperature range	-10°C ~ +50°C
Synchronization	Internal/AC line lock
Supply voltage	12VDC/24VAC, 50/60Hz
Signal-to-noise ratio	48dB
Protection rating	IP66
Operation protection	Available
Menu languages	English
Power consumption	7.5watts max.
Weight	850g
Housing	Weather proof Aluminium housing
Rotation range	0 ~ 359°
Digital signal processing (DSP)	Yes
Zoom range	F1.6~F32/3.15 ~ 31.5mm (10x optical, 10x digital zoom)
Iris control	Auto iris (F1.6 ~ F32), with manual override
Automatic gain control (AGC)	Automatic, 30dB max. (ON/OFF switchable)
Imager	1/4" 752 (H) x 582 (V) pixels (Sony Super HAD Colour CCD)
Alarm processing	Runs to pre-selected position

Accessories

70445 / NE-123	Voltage supply unit 230V/24VAC-2A, IP66
75201 / MTC-1	Matrix, Multiplexer and Telemetry
74088 / EDC-KBD1	System Keyboard with 3-axis Joystick,
74092 / EDC-KBDM-3	System Keyboard w. Joystick, 5" Monitor
74089 / EDC-CR1	Converter RS-232/RS-485,
74099 / EDMC/H12-24	Low Voltage Heater Kit 12-24V/20W for



Maße/Dimensions: mm

VIDEOR TECHNICAL E. Hartig GmbH
 Carl-Zeiss-Straße 37 · 63322 Rödermark · Germany
 Telefon +49 (0) 60 74/8 88-0 · Telefax +49 (0) 60 74/8 88-100
 info@videortechnical.com · www.videortechnical.com



VIDEOR TECHNICAL