

# Video Security

Dome Cameras | eneo Fastrax Domes

## EDCH-144E/C

1/4" Day&Night 26x HighSpeed Dome Camera Housing, Clear Bubble, 24VAC, 480TVL

Art-No. 74119



Wall bracket is not included with the dome camera

## Features

**Vandalism Resistant Colour/B&W Dome Camera**  
**26x Optical and 12x Digital Zoom (264 Total)**  
**Zoom Lens F1.6/3.5-91mm / Removable IR Cut Filter**  
**High und Low Speed Shutter**  
**80 Presets / 2 Patterns / Digital Flip**  
**4 Tours and 4 Autopans**

**8 Dynamic Window Blanking (Privacy Zones)**  
**RS-485 Interface**  
**Supply Voltage 18 to 30VAC, 50/60Hz**  
**Outdoor Housing with clear Bubble**  
**Sunshield, Heater and Blower Kit included**  
**Protection Rating IP65**

## Specifications

<b>Cable connection</b>	Video (BNC jack), 24VAC supply, RS-422/485, Alarm outputs, etc., pre-assembled for external connection (wall or ceiling bracket or EDC-AKS1)
<b>Imager</b>	1/4" 752 (H) x 582 (V) pixels (ExView CCD)
<b>Sensitivity</b>	0.30Lux at colour; 0.16Lux at b&w (VT measurement result at F1.2)
<b>Horizontal resolution</b>	480 TV Lines
<b>Adresses</b>	Up to 999 Dome ID's
<b>Speed range at manual control (pan)</b>	0.1° ~ 90°/sec., Turbo: 360°/sec. (Proportional to the zoom position)
<b>Speed range at manual control (tilt)</b>	0.1° ~ 90°/sec. (Proportional to the zoom position)
<b>Preset speed</b>	Up to 360°/sec. pan
<b>Rotation range</b>	360° (endless)
<b>Vertical tilt range</b>	-10° ~ +90°
<b>Preset positioning</b>	80 presets with 16-character labels each. 0.75sec. max. preset recall time
<b>Backlash</b>	0.2°
<b>Patterns</b>	2
<b>Tours</b>	Up to 4 User programmable guard tours

(Specifications continued)

<b>Autoscan</b>	4 User programmable auto scans
<b>Proportional pan and tilt</b>	Continually decreases pan and tilt speeds in proportion to depth of zoom
<b>Auto flip function</b>	Rotates dome camera's picture by 180° at bottom of tilt travel (Digital Flip)
<b>Programmable park position</b>	Included
<b>Window blanking</b>	8 dynamic window blanking zones with user-defined four-sided shapes and up to 16-character labels each
<b>Zones</b>	16 each with programmable text labels
<b>IR cut filter</b>	Motorized, switchable filter. Automatic function depend on the amount of light. In removed filter position, the colour signal will be switched OFF
<b>Digital signal processing (DSP)</b>	Yes (DSP-3R)
<b>Signal-to-noise ratio</b>	50dB
<b>Automatic gain control (AGC)</b>	Automatic (ON/OFF switchable)
<b>Shutter speed (AES/MES)</b>	Automatic/manual: 1/1 ~ 1/10,000sec. (PAL)
<b>Shutter modes</b>	High and Low Speed shutter
<b>Synchronization</b>	Internal/AC line lock, phase adjustment via remote control
<b>White balance</b>	Automatic with manual override
<b>Video output</b>	1Vp-p, CVBS, 75ohms, BNC
<b>Zoom range</b>	F1.6~F75/3.5 ~ 91mm (26x optical, 12x digital zoom)
<b>Horizontal angle of view</b>	54.2° (Wide); 2.2° (Tele end)
<b>Iris control</b>	Automatic (with manual override)
<b>Focus control</b>	Automatic with manual override
<b>Minimum object distance (MOD)</b>	0.3m
<b>Menu driven set-up</b>	ON/OFF switchable
<b>Text display</b>	16-character labels
<b>Menu languages</b>	English, German, French, Spanish, Portuguese, Italian, Polish
<b>Alarm inputs</b>	4, selectable between NO and NC
<b>Alarm outputs</b>	1
<b>Bubble</b>	6.3" (160mm), clear acrylic plastic
<b>Control interfaces</b>	RS-422/RS-485, 9600Baud, 999 camera ID addresses selectable. Besides the keyboard control via the eneo EDC-KBD(M) series, the control via matrix switchers and keyboards from Pelco (D+P protocol), Ernitec, Philips G3, Sensormatic RS-422, (back channel via RS-422 is not activated), Vicon and Dynacolor is available
<b>Keyboard control</b>	Direct mode control with Eneo EDC-KBD(M) keyboard series, or in conjunction with the eneo DVR series DLR, DTR and DPR
<b>Remote control</b>	Camera remote settings via keyboard
<b>Operation protection</b>	Available
<b>Backup</b>	Non-volatile back box memory stores all camera and site-specific dome settings
<b>Supply voltage</b>	18 ~ 30VAC (24VAC nominal), 50/60Hz
<b>Power consumption</b>	Approx. 55watts

## EDCH-144E/C

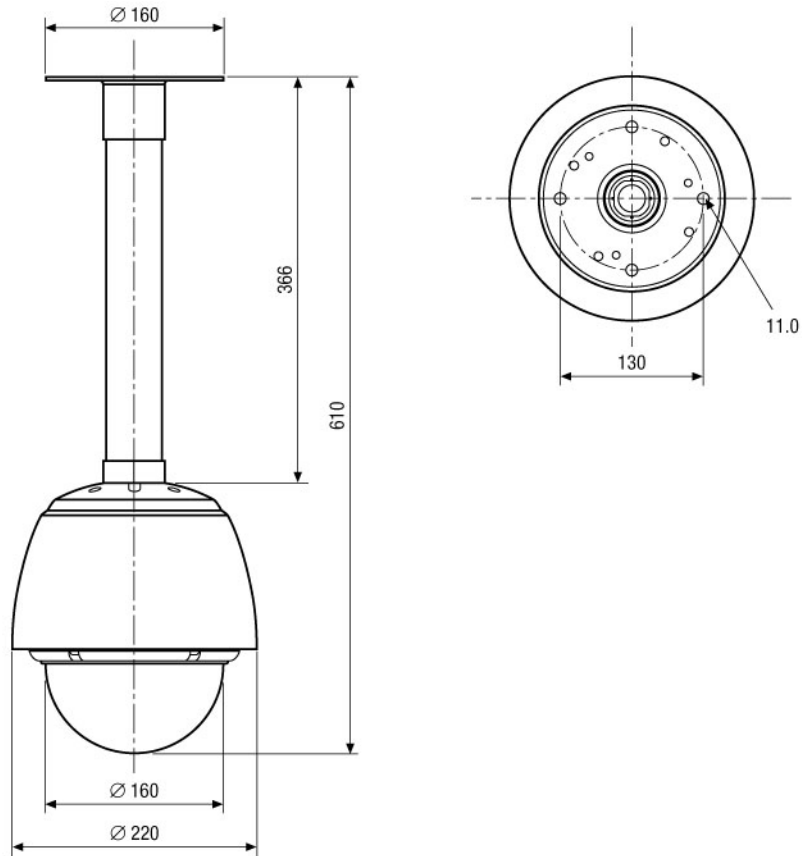
(Specifications continued)

<b>Temperature range</b>	-40°C ~ +50°C
<b>Protection rating</b>	IP65
<b>Housing</b>	Aluminium
<b>Colour</b>	Pantone Coolgray 1C
<b>Dimensions (HxWxD)</b>	See drawing
<b>Weight</b>	3.3kg

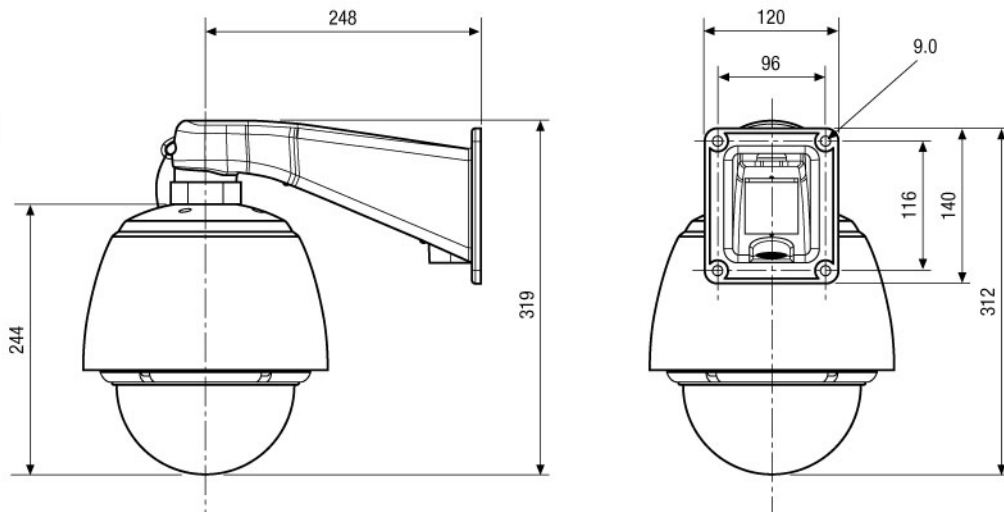
## Accessories

<b>74127 / EDC-WMB1</b>	Wall Mount for EDCH Dome Cameras with Mounting Kit
<b>74128 / EDC-CMT1</b>	Ceiling Mount Tube with Flange Plate for EDCH Dome Cameras with Mounting Kit
<b>74125 / EDC-AKS1</b>	Power&Connection Box with Mounting Bracket for In/Outdoor, 230V-24VAC/2.4A
<b>74124 / FASTRAX_CONFIG</b>	Configuration Software for Eneo Fastrax, Minitrax Dome Cameras and VKC-1416
<b>70449 / NE-128</b>	Voltage supply unit 230V/24VAC-5A, IP66
<b>74088 / EDC-KBD1</b>	System Keyboard with 3-axis Joystick, 12VDC/230VAC
<b>74092 / EDC-KBDM-3</b>	System Keyboard w. Joystick, 5" Monitor 12VDC/230VAC, Fastrax Protocol
<b>74089 / EDC-CR1</b>	Converter RS-232/RS-485, Repeater RS-485
<b>74094 / EDC-COAX</b>	Coax Telemetry Board for VPT-41/42, EDC/EDMC Series. assembled

Deckenmontage / Ceiling mount



Wandmontage / Wall mount



Der Wandmontagearm und die Deckenhalterung sind im Lieferumfang der Domekamera nicht enthalten.  
Wall bracket and ceiling tube are not included with the dome camera.

Maße/Dimensions: mm

VIDEOR TECHNICAL E. Hartig GmbH  
 Carl-Zeiss-Straße 8 · 63322 Rödermark · Germany  
 Telefon +49 (0) 60 74/8 88-0 · Telefax +49 (0) 60 74/8 88-100  
 info@videortechnical.com · www.videortechnical.com

