

Video Security



EDC-IPC-1/24V

Pendant Mount Indoor Dome Housing
Clear Bubble 6.8", 24VAC

Art-No. 74077



Features

Indoor Housing for Fastrax Dome Cameras
For Wall and Ceiling Mount
Blower Kit included

Clear Bubble 6.8" (172mm)
Protection Rating: IP65
Supply Voltage: 24VAC/50-60Hz

Specifications

Bubble	172mm (6.8"), clear acrylic plastic
Load capacity	Approx. 2.0kg
Connection	1 1/4" PT thread
Supply voltage	24VAC, 50/60Hz
Power consumption	Approx. 30watts (for blower and incl. dome camera)
Temperature range (Operation)	-45°C to +50°C
Protection rating	IP65
Housing	Aluminium, Pipes: Steel, Trimring: Plastic
Colour	Pantone Coolgray 1C
Weight	Approx. 3.5kg

Accessories

74054 / EDC-CMA2	Corner Mount Adapter for EDC-IPS/OPC Housings
70449 / NE-128	Voltage supply unit 230V/24VAC-5A, IP66

Accessories of

74086 / EDC-141E	1/4" Colour/B&W High Speed Dome Camera with 18x Zoom Lens, 24VAC, 480TVL
74091 / EDC-143E	1/4" Colour/B&W High Speed Dome Camera with 23x Zoom Lens, 24VAC, 480TVL

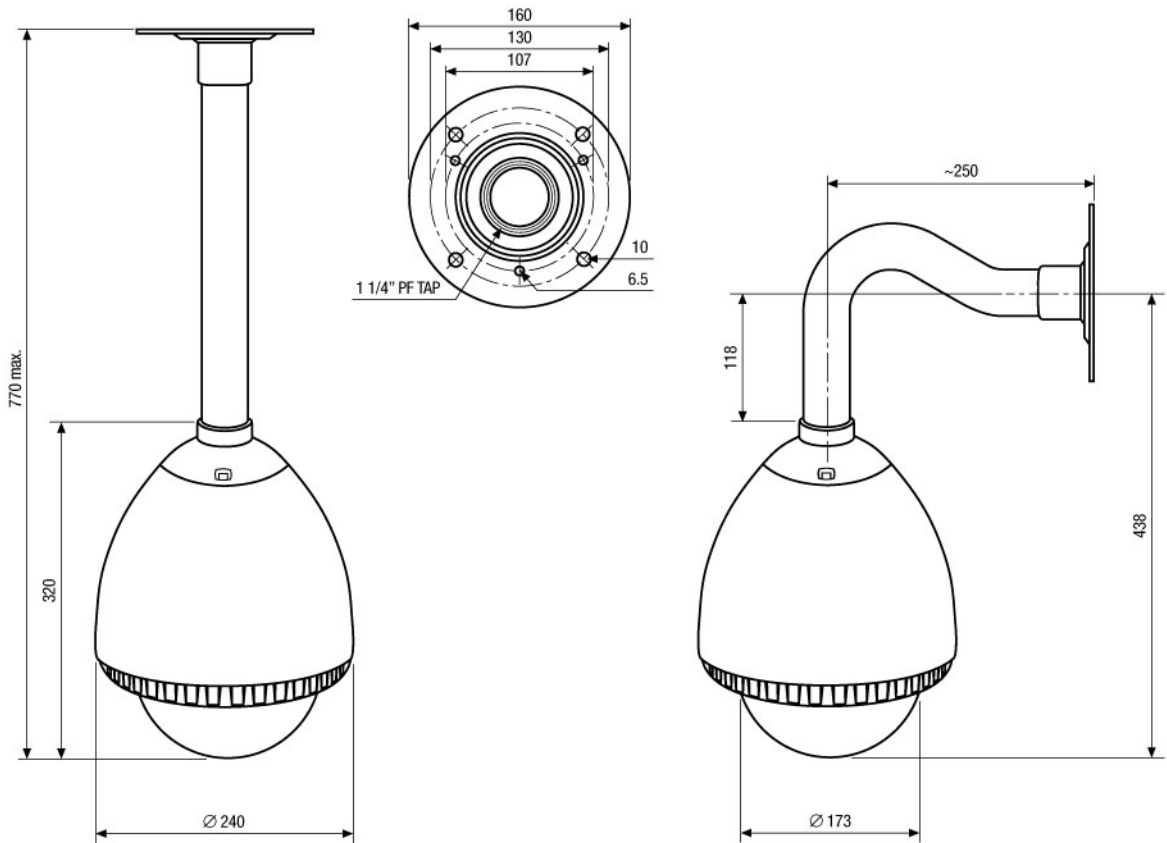
(Accessories of continued)

74093 / EDC-142E1

1/4" Colour High Speed Economy Dome Camera, 22x Zoom Lens, 24VAC, 480TVL

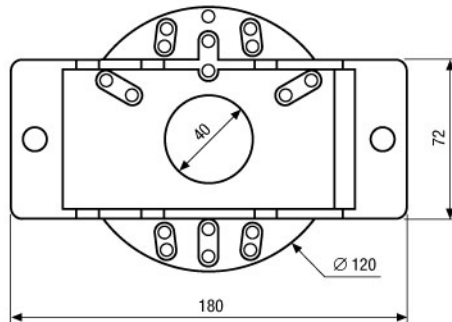
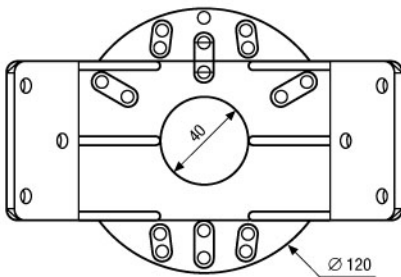
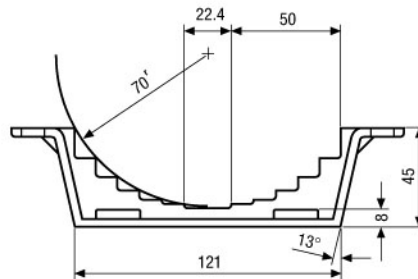
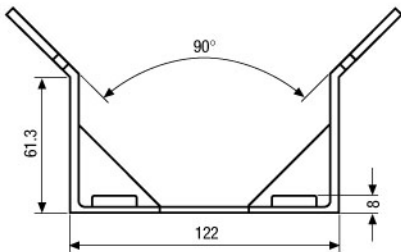
74100 / EDC-144E

1/4" Colour/B&W High Speed Dome Camera with 26x Zoom Lens, 24VAC, 480TVL



Eckmontagewinkel / Corner Mount Adapter

Mastmontageadapter / Pole Mount Adapter



Maße/Dimensions: mm

VIDEOR TECHNICAL E. Hartig GmbH
 Carl-Zeiss-Straße 8 · 63322 Rödermark · Germany
 Telefon +49 (0) 60 74/8 88-0 · Telefax +49 (0) 60 74/8 88-100
 info@videortechnical.com · www.videortechnical.com

