

eneo Fastrax Series



Flush Mount Dome Housing, Smoked Bubble

4.9"

EDP-No.: 74057

EDC-IDF

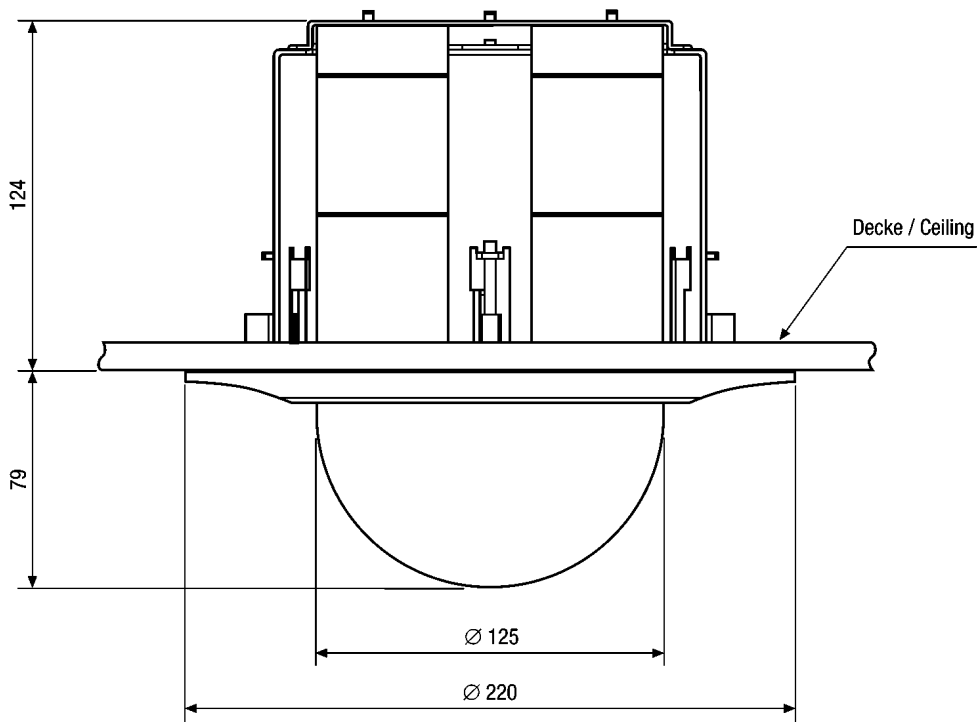
- In-ceiling Mount Housing for Ceiling Tile assy.
- For Dome Cameras of Fastrax Series
- 4.9" (125mm) Tinted Bubble



Specifications:

Assembling	In-ceiling (suspended ceiling tiles up to 2.4cm thickness)
Load capacity	Approx. 2.0kg
Housing	Steel metal, Trimring: aluminium, Bubble: tinted acrylic plastic
Colour	Black trimring
Weight	Approx. 300g
Parts supplied	Flush mount housing, trimring, 4.9" tinted camera bubble (usable as replacement instead of the original one)

Article is accessory to	
EDP No. / Type	Description
74049 EDC-141	Colour/B&W High Speed Dome Camera, 18x Zoom, 0.7Lux, 460TVL, 24VAC
74050 EDC-161	Colour/B&W High Speed Dome Camera, 25x Zoom, 3.0Lux, 460TVL, 24VAC



Ansicht mit montierter Fastrax Domekamera und 4,9" klarer oder getönter Kamerakuppel /
View with assembled Fastrax dome camera and 4.9" clear or tinted bubble

Maße/Dimensions: mm

Videor Technical E.Hartig GmbH • Carl-Zeiss-Straße 37 • 63322 Rödermark
Tel: +49 (0) 60 74 / 888 - 0 • Fax: +49 (0) 60 74 / 888 - 100 • e-mail: info@videortechnical.com •
www.videortechnical.com