



EDC-CMT1

Article-No.: 74128

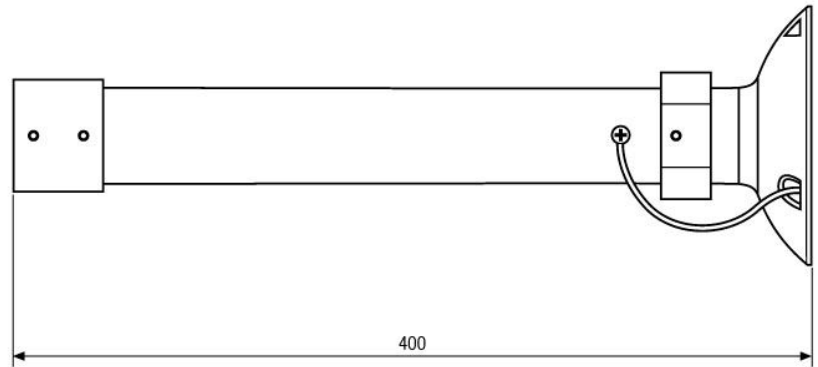
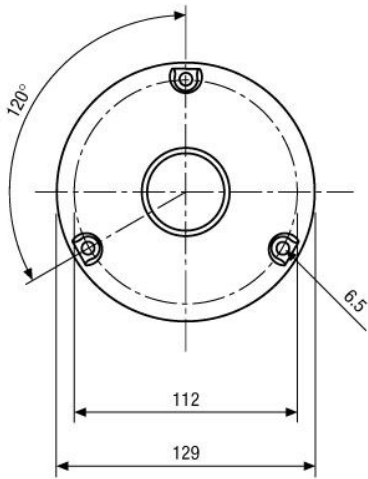
Ceiling Mount Tube with Flange
Plate for EDC(H) Dome
Cameras with Mounting Kit

Mainfeatures

For ceiling mounting of dome camera series EDC(H)
Rugged steel tube with flange plate

Hidden cable harness
Ready for installation

Technical Drawing



Maße/Dimensions: mm

Your partner for eneo products:

