

EDC-3351

Home | Security | Dome Cameras | PTZ

EDC-3351

1/4" Dome, PTZ, Day&Night, clear, 35x,

Autocalibration, 540TVL, 24VAC

Art-Nr. 74159



Main Features

High Resolution Colour/B&W (Super HAD CCD)
Wide Dynamic Range (WDR)
Digital Image Stabilisation (DIS)
Auto Calibration
35x Optical and 12x Digital Zoom (264 Total)
Removable IR Cut Filter

High and Low Speed Shutter Control (MES/ESC/DSS)
Pattern, Tour and Autopan Function
240 Presets
Dynamic Window Blanking
RS-485/RS-422 Interface
8 Alarm Inputs / 4 Outputs

Specifications

| | |
|--------------------------------------|--|
| Series | eneo Fastrax III |
| Video standard | CCIR/PAL |
| System | day&night |
| Sensor size | 1/4" |
| Imager | CCD, Sony Super HAD Interline Transfer |
| Synchronization | Internal/AC line lock, phase adjustment via remote control |
| Signal-to-noise ratio | 50dB |
| Sensitivity (at 50% video signal) | 0.6Lux at colour; 0.3Lux (B&W). Videor measurement result at F1.2, DSS Off |
| Horizontal resolution | 540 TVL |
| Speed (manual control) | 380 °/Sek. |
| Speed range at manual control (pan) | 0.1° ~380°/sec. (Proportional to zoom) |
| Speed range at manual control (tilt) | 0.1° ~200°/sec. (Proportional to zoom) |
| Preset speed | 380 °/Sek. |

EDC-3351

(Continuation Specifications)

| | |
|--|--|
| Rotation range | 360° |
| Tilt range | 180° (Digital Flip) |
| Preset positioning | 240 presets with with camera status (12-character title display) |
| Freeze function | The image will be frozen during calling preset |
| Backlash | 0.2° |
| Patterns | 8 patterns up to 500sec. |
| Tours | Up to 8 programmable guard tours, consisting of 42 presets each and up to 12 character title display |
| Autoscan | 16 User programmable auto scans with 13 selectable speeds and 12 character title display |
| Proportional pan and tilt | Continually decreases pan and tilt speeds in proportion to depth of zoom |
| Auto flip function | Rotates dome camera's picture by 180° at bottom of tilt travel (Digital Flip) |
| Programmable park position | Included |
| Privacy Zone | 8 privacy zone masking (2 methods selectable: Block / video off) and up to 12-character labels each |
| Digital signal processing (DSP) | DSP-7 |
| Automatic gain control (AGC) | Automatic (On/Off switchable) |
| Shutter modes | High and Low Speed shutter |
| Shutter speed (AES/MES) | Automatic/manual: 1/50 ~1/30,000sec. |
| Low Speed Shutter | yes |
| Low speed shutter | 2 ~32 fps. |
| Digital Noise Reduction (DNR) | no |
| White balance | Modes: Manual, Automatic, Indoor, Outdoor, ATW |
| Backlight compensation | BLC, WDR |
| Wide Dynamic Range (WDR) | yes |
| IR cut filter | switchable |
| Video outputs | CVBS, 1Vp-p, (C)VBS, 75ohms, BNC |
| Lens mount | integrated lens |
| Lens type | zoom |
| Lens | F1.4 ~F170/3.4 ~119mm (35x optical, 12x digital zoom) |
| Aspherical technology | yes |
| Focal length | 3,4 mm - 119 mm |
| Horizontal angle of view | 55,8° - 1,7° |
| Digital Zoom | 12x |
| Focus control | Automatic with manual override |
| Iris control | auto iris, Manual override |
| MOD (Minimum object distance) | 1,0 m |
| Filter screw size | not available |
| Alarm inputs | 8, selectable between NO and NC |

EDC-3351

(Continuation Specifications)

| | | |
|--------------------------------------|--|---|
| Alarm outputs | 4x Relay contacts, programmable as NO/NC contact, 12VDC/1.0A resistive | |
| Alarm processing | Programmable alarm action with selectable priority levels | |
| Motion Detection Function | in preset mode only | |
| Menu driven set-up | On/Off switchable | |
| Menu languages | English, German, French, Spanish, Portuguese, Italian, Polish | |
| Text display | 12 character labels | |
| Operation protection | Available | |
| Backup | Non-volatile back box memory stores all camera and site-specific dome settings | |
| Adresses | Up to 999 Dome ID's (3999 by software setting) | |
| Keyboard control | Direct mode control with Eneo EDC-KBD(M) keyboard series, or in conjunction with the eneo DVR series DLR, DTR and DPR | |
| Remote control | Camera remote settings via keyboard | |
| Serial interfaces | RS-422, RS-485, 9600Baud, 999 camera ID addresses selectable. Besides the keyboard control via the eneo EDC-KBD(M) series, the control via matrix switchers and keyboards from Pelco (D+P protocol), Ernitec, Philips G3, Sensormatic RS-422, (back channel via RS-422 is not activated), Vicon and Dynacolor is available | |
| Temperature range (Operation) | 0 ~+50°C | |
| Heater | no | |
| Protection rating | IP40 | |
| Supply voltage | 24VAC, (18 ~30VAC), 50/60Hz | |
| Power consumption | 20W | |
| Vandalism resistant | no | |
| Bubble | 4.9" (125mm), clear acrylic plastic | |
| Colour (bubble) | clear | |
| Mounting | surface mount, Housing assy | |
| Housing | Indoor | |
| Housing material | Plastic | |
| Colour (housing) | black | |
| Dimensions (HxWxD) | See drawing | |
| Weight | approx. 1.2kg | |
| Parts supplied | Clear bubble | |
| Certificates | CE | |
| Special feature | Auto calibration | |
| Optional accessories | | |
| 70449 | NE-128 | Voltage supply unit 230V/24VAC-5A, IP66 |
| 70527 | NE-132/AC24V | Power Supply Unit 230VAC/24VAC (1.0A) |
| 74149 | KBD-2 | System Keyboard with 3-Axis Joystick and Jog Shuttle, 12VDC |

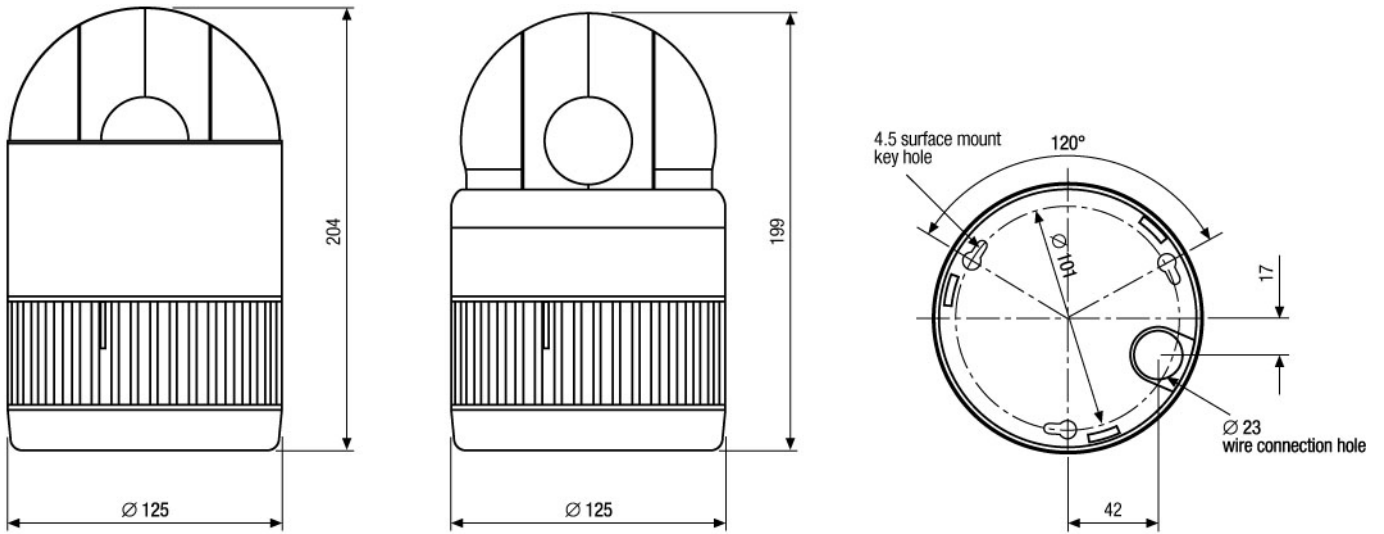
EDC-3351

| | | |
|-------|----------------|--|
| 74130 | EDC-OPC-2/24V | Pendant Mount Outdoor Dome Housing, Sun Shield, Clear Bubble 6.5", 24VAC |
| 74088 | EDC-KBD1 | System Keyboard with 3-axis Joystick, 12VDC |
| 74746 | KBD-NSC-100 | Network System Controller with 3-Axis Joystick and Jog Shuttle, 5VDC |
| 74092 | EDC-KBDM-3 | System Keyboard w. Joystick, 5" Monitor 12VDC, Fastrax Protocol |
| 74089 | EDC-CR1 | Converter RS-232/RS-485, Repeater RS-485 |
| 74124 | FASTRAX_CONFIG | Configuration Software for Eneo Fastrax, Minitrax Dome Cameras and VKC-1416 |
| 74135 | EDC-IPC-2/24V | Pendant Mount Indoor Dome Housing with Clear Bubble 6.5", 24VAC |
| 74094 | EDC-COAX | Coax Telemetry Board for VPT-41/42, VPT- 501/601, EDC/EDMC Series assembled |
| 74136 | EDC-OPS-2/24V | Pendant Mount Outdoor Dome Housing with Sunshield, Tinted Bubble 6.5", 24VAC |
| 74134 | EDC-IPS-2/24V | Pendant Mount Indoor Dome Housing with Tinted Bubble 6.5", 24VAC |
| 70457 | AK-3 | Camera Connection box, 230VAC Input, 24VAC-3.2A, 12VDC-1A Outputs |
| 74154 | EDC-IDFSW | Flush Mount Dome Housing, White Trimring Smoked Bubble 6.8" |
| 74095 | EDC-PBP | Protocol Converter BiPhase to RS-422, RS-485 for EDC Dome Cameras, 12VDC |
| 74139 | EDC-IDFHCB | Flush Mount Dome Closed Housing, Black Trimring, Clear Bubble 6.8" |

EDC-3351

Home | Security | Dome Cameras | PTZ

Technical drawing



Maße/Dimensions: mm