

EDC-3221

Home | Security | Dome Cameras | PTZ

EDC-3221
1/4" Dome, PTZ, Day&Night, clear, 22x, 480TVL,

24VAC

Art-Nr. 74152



Main Features

Colour/B&W Dome Camera (Super HAD Colour CCD)	240 Presets
Enhanced Dynamic Range (WDR/EDR)	Dynamic Window Blanking
22x Optical and 11x Digital Zoom (242 Total)	RS-485/RS-422 Interface
Zoom Lens: F1.6/3.9-85.8mm	8 Alarm Inputs / 4 Outputs
Removable IR Cut Filter	Programmable Alarm Action with Priority Levels
Pattern, Tour and Autopan Function	Supply Voltage: 18 to 30VAC, 50/60Hz

Specifications

Series	eneo Fastrax III
Video standard	CCIR/PAL
System	day&night
Sensor size	1/4"
Imager	CCD, Sony Super HAD Interline Transfer
Synchronization	Internal/AC line lock, phase adjustment via remote control
Signal-to-noise ratio	50dB
Sensitivity (at 50% video signal)	0.75Lux at F1.2, 0.015Lux at 1sec. shutter speed
Horizontal resolution	480 TVL
Speed (manual control)	380 °/Sek.
Speed range at manual control (pan)	0.1° ~380°/sec. (Proportional to zoom)
Speed range at manual control (tilt)	0.1° ~200°/sec. (Proportional to zoom)
Preset speed	380 °/Sek.

EDC-3221

(Continuation Specifications)

Rotation range	360°
Tilt range	-10° ~+90° (Auto Flip)
Preset positioning	240 presets with with camera status (12-character title display)
Frame store	The image will be frozen during calling preset
Backlash	0.2°
Patterns	8 patterns up to 500sec.
Tours	Up to 8 programmable guard tours, consisting of 42 presets each and up to 12 character title display
Autoscan	16 User programmable auto scans with 13 selectable speeds and 12 character title display
Proportional pan and tilt	Continually decreases pan and tilt speeds in proportion to depth of zoom
Auto flip function	Rotates dome camera's picture by 180° at bottom of tilt travel (Digital Flip)
Programmable park position	Included
Privacy Zone	8 privacy zone masking (2 methods selectable: Block / video off) and up to 12-character labels each
Digital signal processing (DSP)	DSP-3R
Automatic gain control (AGC)	Automatic (On/Off switchable)
Shutter speed (AES/MES)	Automatic/manual: 1/3 ~1/10,000sec. (PAL)
Low Speed Shutter	yes
Digital Noise Reduction (DNR)	yes
White balance	Modes: Manual, Automatic, Indoor, Outdoor, ATW
Backlight compensation	BLC
Wide Dynamic Range (WDR)	no
IR cut filter	switchable
Video outputs	CVBS, 1Vp-p, (C)VBS, 75ohms, BNC
Lens mount	integrated lens
Lens type	zoom
Lens	F1.6 ~F75/3.9 ~85.8mm (22x optical, 11x digital zoom)
Aspherical technology	yes
Focal length	3,9 mm - 85,8 mm
Horizontal angle of view	49,5° - 2,46°
Digital Zoom	11x
Focus control	Automatic with manual override
Iris control	auto iris, Manual override
MOD (Minimum object distance)	1,0 m
Filter screw size	not available
Alarm inputs	8, selectable between NO and NC
Alarm outputs	4x Relay contacts, programmable as NO/NC contact, 12VDC/1.0A resistive

EDC-3221

(Continuation Specifications)

Alarm processing	Programmable alarm action with selectable priority levels
Motion Detection Function	no
Menu driven set-up	On/Off switchable
Menu languages	English, German, French, Spanish, Portuguese, Italian, Polish
OSD function control	D&N, AGC, BLC, AWB, Iris, MOD, PIP, Freeze, Digital zoom, Digital noise reduction (DNR) ON/OFF. Mirror, Enhanced Dynamic Range (WDR/EDR) and Shutter mode
Text display	16 character label
Operation protection	Available
Backup	Non-volatile back box memory stores all camera and site-specific dome settings
Adresses	Up to 999 Dome ID's (3999 by software setting)
Keyboard control	Direct mode control with Eneo EDC-KBD(M) keyboard series, or in conjunction with the eneo DVR series DLR, DTR and DPR
Remote control	Camera remote settings via keyboard
Serial interfaces	RS-422, RS-485, 9600Baud, 999 camera ID addresses selectable. Besides the keyboard control via the eneo EDC-KBD(M) series, the control via matrix switchers and keyboards from Pelco (D+P protocol), Ernitec, Philips G3, Sensormatic RS-422, (back channel via RS-422 is not activated), Vicon and Dynacolor is available
Temperature range (Operation)	0 ~+50°C
Heater	no
Protection rating	IP40
Supply voltage	24VAC, (18 ~30VAC), 50/60Hz
Power consumption	20W
Vandalism resistant	no
Bubble	4.9" (125mm), clear acrylic plastic
Colour (bubble)	clear
Mounting	surface mount, Housing assy
Housing	Indoor
Housing material	Plastic
Colour (housing)	black
Weight	approx. 1.2kg
Parts supplied	Clear bubble
Certificates	CE

Optional accessories

70449	NE-128	Voltage supply unit 230V/24VAC-5A, IP66
70527	NE-132/AC24V	Power Supply Unit 230VAC/24VAC (1.0A)
74149	KBD-2	System Keyboard with 3-Axis Joystick and Jog Shuttle, 12VDC

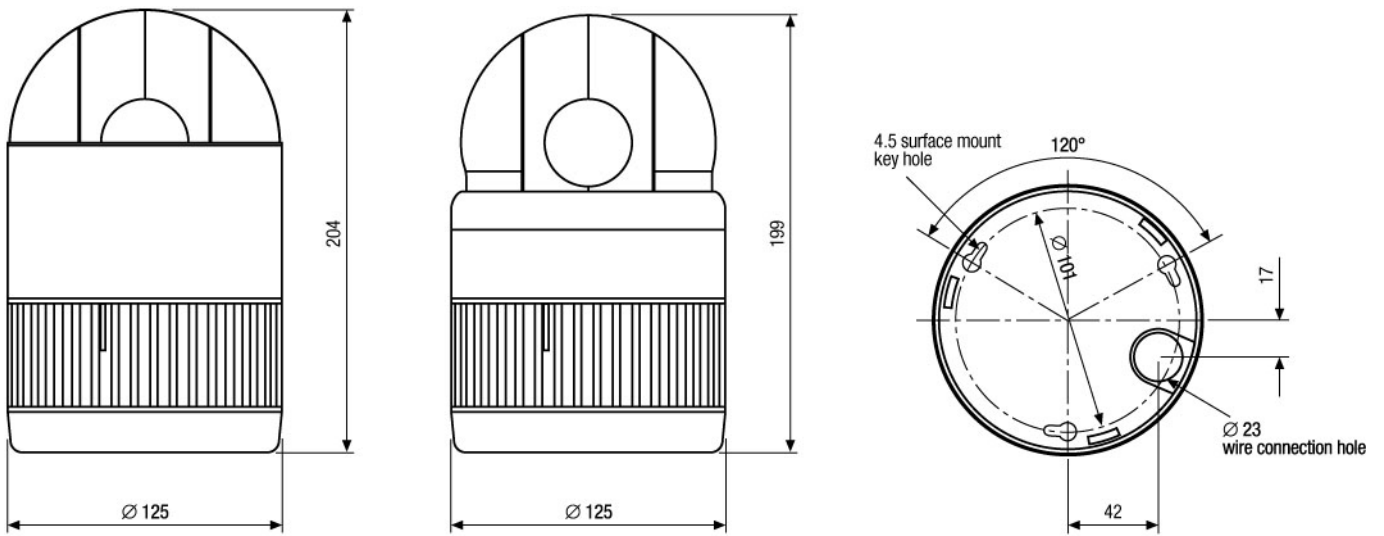
EDC-3221

74130	EDC-OPC-2/24V	Pendant Mount Outdoor Dome Housing, Sun Shield, Clear Bubble 6.5", 24VAC
74088	EDC-KBD1	System Keyboard with 3-axis Joystick, 12VDC
74746	KBD-NSC-100	Network System Controller with 3-Axis Joystick and Jog Shuttle, 5VDC
74092	EDC-KBDM-3	System Keyboard w. Joystick, 5" Monitor 12VDC, Fastrax Protocol
74089	EDC-CR1	Converter RS-232/RS-485, Repeater RS-485
74124	FASTRAX_CONFIG	Configuration Software for Eneo Fastrax, Minitrax Dome Cameras and VKC-1416
74135	EDC-IPC-2/24V	Pendant Mount Indoor Dome Housing with Clear Bubble 6.5", 24VAC
74094	EDC-COAX	Coax Telemetry Board for VPT-41/42, VPT- 501/601, EDC/EDMC Series assembled
74136	EDC-OPS-2/24V	Pendant Mount Outdoor Dome Housing with Sunshield, Tinted Bubble 6.5", 24VAC
74134	EDC-IPS-2/24V	Pendant Mount Indoor Dome Housing with Tinted Bubble 6.5", 24VAC
70457	AK-3	Camera Connection box, 230VAC Input, 24VAC-3.2A, 12VDC-1A Outputs
74154	EDC-IDFSW	Flush Mount Dome Housing, White Trimring Smoked Bubble 6.8"
74095	EDC-PBP	Protocol Converter BiPhase to RS-422, RS-485 for EDC Dome Cameras, 12VDC
74139	EDC-IDFHCB	Flush Mount Dome Closed Housing, Black Trimring, Clear Bubble 6.8"

EDC-3221

Home | Security | Dome Cameras | PTZ

Technical drawing



Maße/Dimensions: mm