

Video Security



EDC-144E

1/4" Colour/B&W High Speed Dome Camera
with 26x Zoom Lens, 24VAC, 480TVL

Art-No. 74100



Features

High Resolution Colour/B&W Dome Camera
26x Optical and 12x Digital Zoom (264 Total)
Zoom Lens: F1.6/3.5-91mm
High und Low Speed Shutter
240 Presets
4 Patterns

8 Tours and 8 Autopans with Vector Scan
8 Dynamic Window Blanking (Privacy Zones)
RS-485/RS-422 Interface
8 Alarm Inputs / 4 Outputs
Quick Detachable (Hot Swap)
Supply Voltage: 18 to 30VAC, 50/60Hz

Specifications

| | |
|---|--|
| Imager | 1/4" 758 (H) x 592 (V) pixels (ExView CCD) |
| Sensitivity | 0.35Lux at F1.6 (0.2Lux at F1.2); 0.2Lux at 1/3sec. shutter speed (F1.6); 0.02Lux at 1/3sec. shutter speed (colour) 0.01Lux at 1/3sec. shutter speed (b&w) |
| Horizontal resolution | 480 TV Lines |
| Adresses | Up to 999 Dome ID's |
| Speed range at manual control (pan) | 0.5° ~ 90°/sec., Turbo: 380°/sec. (Proportional to the zoom position) |
| Speed range at manual control (tilt) | 0.5° ~ 90°/sec. (Proportional to the zoom position) |
| Preset speed | Up to 380°/sec. pan |
| Rotation range | 360° (endless) |
| Vertical tilt range | -4° ~ +90° |
| Preset positioning | 240 presets with 16-character labels each. 0.75sec. max. preset recall time |
| Backlash | 0.2° |
| Patterns | 4 patterns: 1x up to 240sec., or 3x up to 240sec. in total |

(Specifications continued)

| | |
|--|---|
| Tours | Up to 8 User programmable guard tours with vector scan. Consisting of 42 presets and other functions with individual dwell time (3 to 99sec.). Selectable fast or slow vector scan |
| Autoscan | 8 User programmable auto scans with selectable fast or slow vector scan, 9 selectable speeds |
| Proportional pan and tilt | Continually decreases pan and tilt speeds in proportion to depth of zoom |
| Auto flip function | Rotates dome 180° at bottom of tilt travel |
| Programmable park position | Included |
| Window blanking | 8 dynamic window blanking zones with user-defined four-sided shapes and up to 16-character labels each |
| Zones | 16 each with programmable text labels |
| In/outdoor use | Indoor/outdoor camera preferences |
| IR cut filter | Automatic operation, ON/OFF switchable |
| Digital signal processing (DSP) | Yes (DSP-3R) |
| Signal-to-noise ratio | 50db |
| Automatic gain control (AGC) | Automatic (ON/OFF switchable) |
| Shutter speed (AES/MES) | Automatic/manual: 1/3 ~ 1/10,000sec. (PAL) |
| Shutter modes | High and Low Speed shutter |
| Synchronization | Internal/AC line lock, phase adjustment via remote control |
| White balance | Modes: Manual, Automatic, Indoor, Outdoor, ATW |
| Video output | 1Vp-p, CVBS, 75ohms, BNC |
| Zoom range | F1.6~F80/3.5 ~ 91mm (26x optical, 12x digital zoom) |
| Horizontal angle of view | 54.2° (Wide); 2.2° (Tele end) |
| Iris control | Automatic (with manual override) |
| Focus control | Automatic with manual override |
| Minimum object distance (MOD) | 0.3m |
| Menu driven set-up | ON/OFF switchable |
| Text display | 16-character labels |
| Menu languages | English |
| Alarm processing | Programmable alarm action with selectable priority levels |
| Alarm inputs | 8, selectable between NO and NC |
| Bubble | 4.9" (125mm), clear acrylic plastic |
| Control interfaces | RS-422/RS-485, 9600Baud, 999 camera ID addresses selectable. Besides the keyboard control via the eneo EDC-KBD(M) series, the control via matrix switchers and keyboards from Pelco (D+P protocol), Ernitec, Philips G3, Sensormatic RS-422, (back channel via RS-422 is not activated), Vicon and Dynacolor is available |
| Keyboard control | Direct mode control with Eneo EDC-KBD(M) keyboard series, or in conjunction with the eneo Triplex Multiplexer series VBMT/VCMT-8000 and DVR series DLR(2) and DXR |
| Auxiliary outputs | 4 relays with NO or NC contact, 24VDC/1A resistive |
| Remote control | Camera remote settings via keyboard |
| Operation protection | Available |

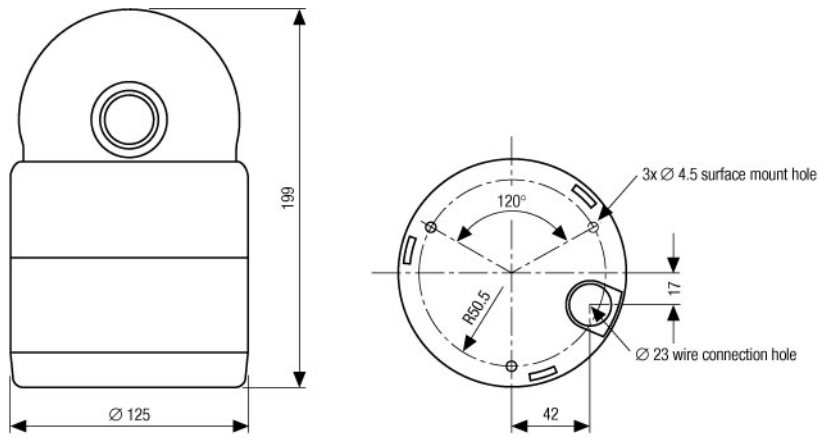
EDC-144E

(Specifications continued)

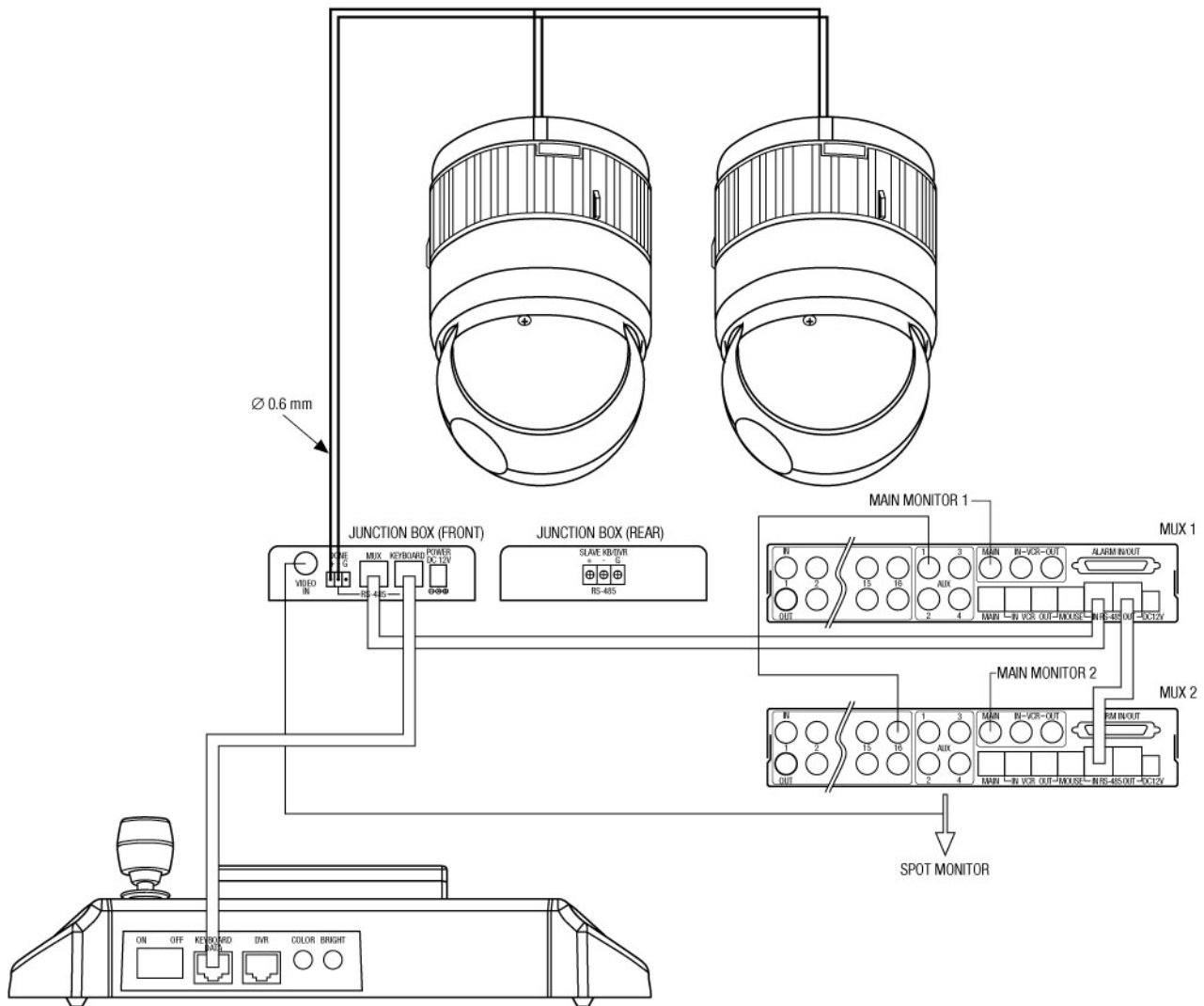
| | |
|---------------------------|--|
| Backup | Non-volatile back box memory stores all camera and site-specific dome settings |
| Supply voltage | 18 ~ 30VAC (24VAC nominal), 50/60Hz |
| Power consumption | Approx. 20watts |
| Temperature range | 0°C ~ +50°C |
| Protection rating | IP40 |
| Housing | Black plastic for indoor drop-ceiling mount |
| Dimensions (HxWxD) | See drawing |
| Weight | 1.5kg |

Accessories

| | |
|-------------------------------|--|
| 70449 / NE-128 | Voltage supply unit 230V/24VAC-5A, IP66 |
| 74095 / EDC-PBP | Protocol Converter BiPhase to RS-422, RS-485 for EDC Dome Cameras, 12VDC |
| 74057 / EDC-IDF | Flush Mount Dome Housing, Smoked Bubble 4.9" |
| 74078 / EDC-OPS-1/24V | Pendant Mount Outdoor Dome Housing Tinted Bubble 6.8", 24VAC |
| 74077 / EDC-IPC-1/24V | Pendant Mount Indoor Dome Housing Clear Bubble 6.8", 24VAC |
| 74076 / EDC-OPC-1/24V | Pendant Mount Outdoor Dome Housing Clear Bubble 6.8", 24VAC |
| 74075 / EDC-IPS-1/24V | Pendant Mount Indoor Dome Housing Tinted Bubble 6.8", 24VAC |
| 74082 / EDC-IPC-1/230V | Pendant Mount Indoor Dome Housing Clear Bubble 6.8", 230VAC |
| 74083 / EDC-IPS-1/230V | Pendant Mount Indoor Dome Housing Tinted Bubble 6.8", 230VAC |
| 74084 / EDC-OPC-1/230V | Pendant Mount Outdoor Dome Housing Clear Bubble 6.8", 230VAC |
| 74085 / EDC-OPS-1/230V | Pendant Mount Outdoor Dome Housing Tinted Bubble 6.8", 230VAC |
| 75201 / MTC-1 | Matrix, Multiplexer and Telemetry Keyboard with Joystick, RS-485 Control |
| 74088 / EDC-KBD1 | System Keyboard with 3-axis Joystick, 12VDC/230VAC |
| 74089 / EDC-CR1 | Converter RS-232/RS-485, Repeater RS-485 |
| 74092 / EDC-KBDM-3 | System Keyboard w. Joystick, 5" Monitor 12VDC/230VAC |
| 74094 / EDC-COAX | Coax Telemetry Board for VPT-41/42, EDC/EDMC Series. assembled |



Maße/Dimensions: mm



VIDEOR TECHNICAL E. Hartig GmbH
 Carl-Zeiss-Straße 8 · 63322 Rödermark · Germany
 Telefon +49 (0) 60 74/8 88-0 · Telefax +49 (0) 60 74/8 88-100
 info@videortechnical.com · www.videortechnical.com

