



DS-4

Article-No.: 90056

Twilight Switch with ON/OFF
Delay adjustable Switching
Points, 230VAC

Main features

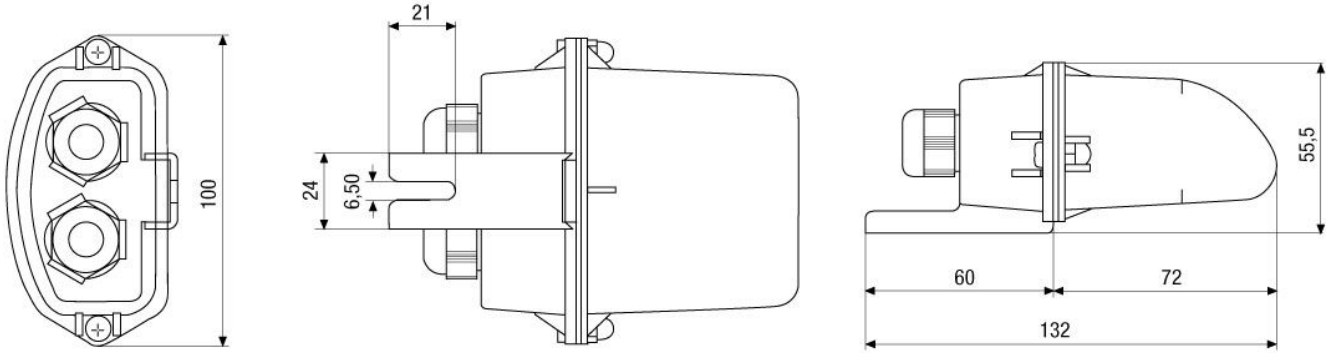
For automatic illuminator ON/OFF switching
Switching range: 2 to 200Lux (adjustable)
For wall mounting
Protection rating: IP66

Photocell controlled
ON/OFF switching delay
Switching power: 1200W max.
Easy installation

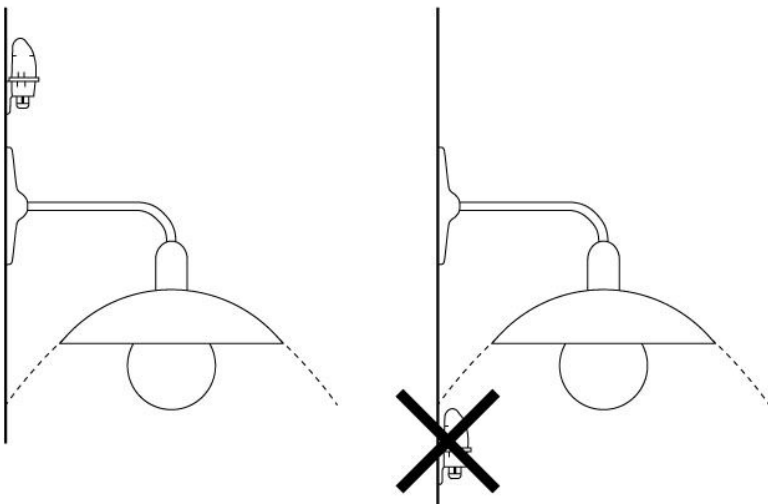
Specifications

Weight	150g
In/output voltage	230VAC / 50Hz
Switch-on delay	7sec.
Switch-off delay	420sec.
ON/OFF switching range	2 ~ 200Lux
Internal adjustments	Potentiometer for ON/OFF switching range
LCD display	Displays switch ON status
Mains in/outputs	1 each
Switching power	5A (1200W)
Temperature range	-20°C ~ +50°C
Housing	Grey plastic with clear cover
Dimensions (HxWxD)	see drawing
Weight	150g

Technical Drawing



Maße/Dimensions: mm



Your partner for eneo products:

