



## CANDID Camera Packs

FDP-No.: 96003

### CANDID COLOR 03

- Colour Camera VKC-141/1 in Weatherproof Housing
- Resolution of 330 Horizontal Lines
- Digital Signal Processing (DSP)
- Back Light Compensation (BLC)
- Electronic Shutter Control (ESC)
- High and LowSpeed Shutter
- Automatic or Manual White Balance
- High Sensitivity
- Lens: F1.4/3.5-8 mm AI Controlled
- Index of Protection: IP66 / 67



---

### Specifications:

---

Camera:

Imager	1/4" Interline transfer CCD
System	CCIR/PAL
Signal processing	Digital (DSP)
Synchronization	Internal
Sensitivity	1.0 Lux at F1.2
Horizontal resolution	330 TV lines
Active picture elements	Approx. 290,000, (H) 500 x (V) 582
Signal-to-noise ratio	>48 dB (AGC OFF)
Linear shutter (ESC)	1/50 to 1/10,000 sec.
Video output	1 Vp-p, CCVS, 75 Ohm
White balance	Automatic/manual (switchable)
Gamma correction	0.45
Automatic gain control (AGC)	Switchable ON/OFF
Aperture Correction	Yes (horizontal and vertical)
Back light compensation (BLC)	Yes

## CANDID COLOR 03

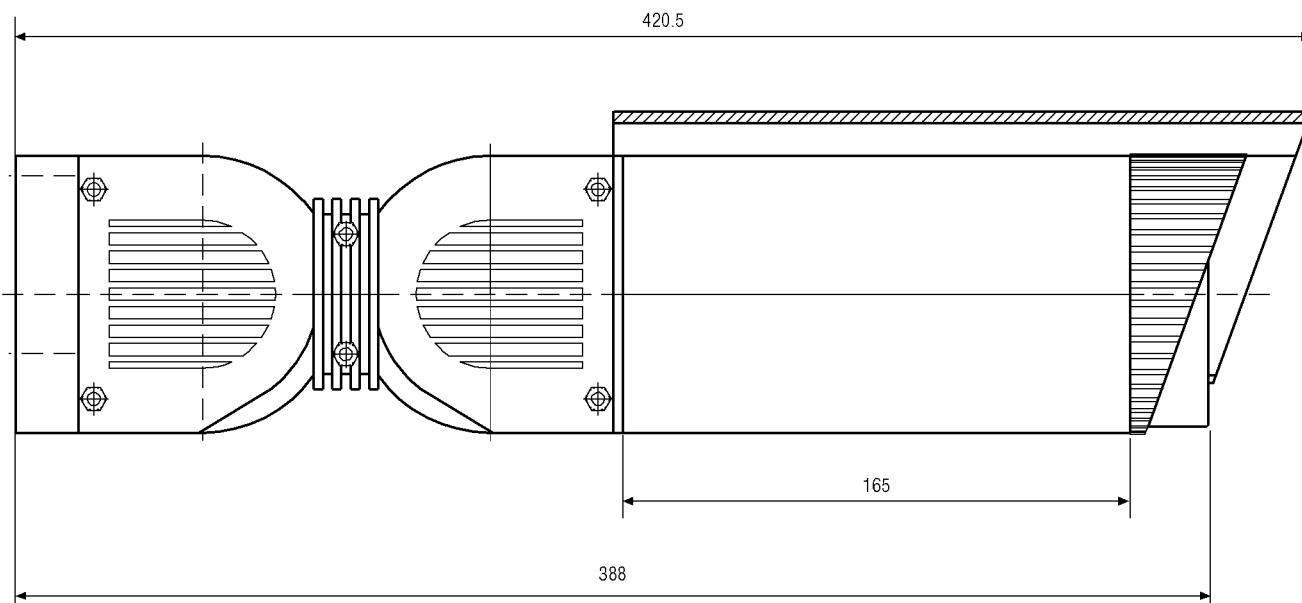
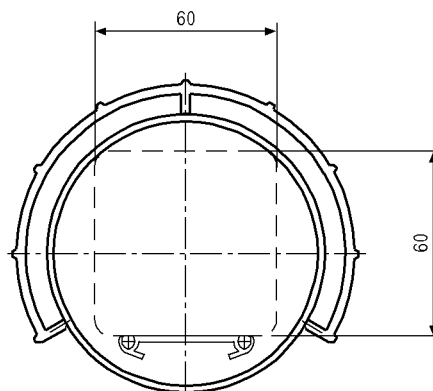
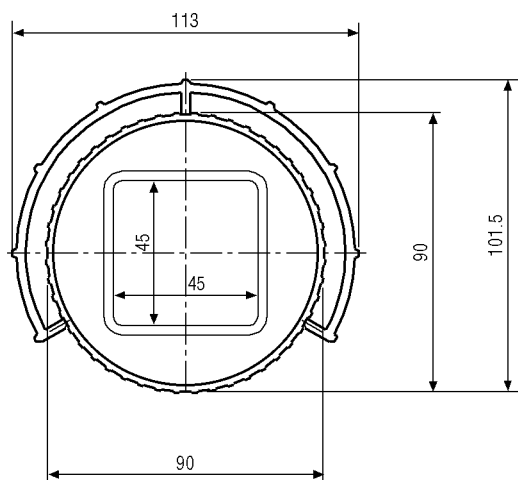
---

Internal adjustments	Electronic shutter ON/OFF, Manual high speed shutter (1/50 to 1/10,000 pro sec.), Manual low speed shutter (2 to 16 fields), Automatic white balance, Manual white balance (Red/Green), AGC ON/OFF, Flickerless mode ON/OFF, Pos./neg. video signal output.
Lens	F1.4/3.5-8 mm DC-Iris controlled
Weatherproof housing:	
Cable entry	Wiring for video and voltage supply made, accessible from outside
Cable gland size	PG 21 for up-to 4 cables
Screen heater	12 V thermostatically controlled
Sunshield	Yes
Housing	Aluminium with plastic front and back (Makrolon)
Colour	RAL 9016 (Body and sunshield) RAL 7035 (Front and back) RAL 7037 (Inner ball, fixing ring)
Supply voltage	12 VDC (+/-10 %)
Power consumption	Approx. 9 W
Index of Protection	IP 66/67
Temperature range	-10°C to +40°C
Dimensions (HxWxD)	See drawing
Weight	1.4 kg
Parts supplied	3mm Allen wrench key, Bag of screws

### Additional descriptions

Equivalent to former type no. CAND/VKC141/38A

Accessories	
EDP No. / Type	Description
79494 VHU-NT1	Power supply socket for Candid housing series, 230 VAC/12 VDC-14 VAC
73546 VT-PM4	Pole mount adapter for VHU housing series



Maße/Dimensions: mm

e-mail: [info@eneo-security.com](mailto:info@eneo-security.com) • [www.eneo-security.com](http://www.eneo-security.com)