



CANDID C-07

Article-No.: 96097

1/3" Day&Night Camera, F1.0/3-8mm,
Candid Housing, 540TVL, 12VDC

Mainfeatures

1/3" Day&Night Camera in Weatherproof Housing
Automatic Gain Control (AGC)
Switchable Backlight Compensation (BLC)
Switchable Flickerless Adjustment
Enhanced Sharpness Compensation

Sensitivity of 0.05Lux at F1.2 (B&W)
Removable IR Cut Filter
Iris/Shutter Control Selectable (ALC/ESC)
Automatic White Balance (AWB/ATW)
DC-Iris Control



Specifications

| | |
|------------------------------------|--|
| Series | eneo Candid |
| System | Day&Night |
| Video standard | CCIR/PAL |
| Sensor size | 1/3" |
| Imager | CCD |
| Imager | Sony Super HAD Interline Transfer (SS-1M) |
| Active picture elements | 440,000, 752(H) x 582(V) |
| Synchronization | Internal |
| Signal-to-noise ratio | 50dB (AGC OFF) |
| Horizontal resolution | 540 TVL |
| Sensitivity (at 50% video signal) | 0,16 Lux |
| Sensitivity (at 50% video signal) | (colour), 0.05Lux (B&W) at F1.2 (measured) |
| Automatic electronic shutter (ESC) | 1/2 ~ 1/100,000sec. |
| Low Speed Shutter | no |
| Digital Noise Reduction (DNR) | no |
| Flickerless function | supplied |
| White balance | Automatic/manually (2000K - 8000K) |

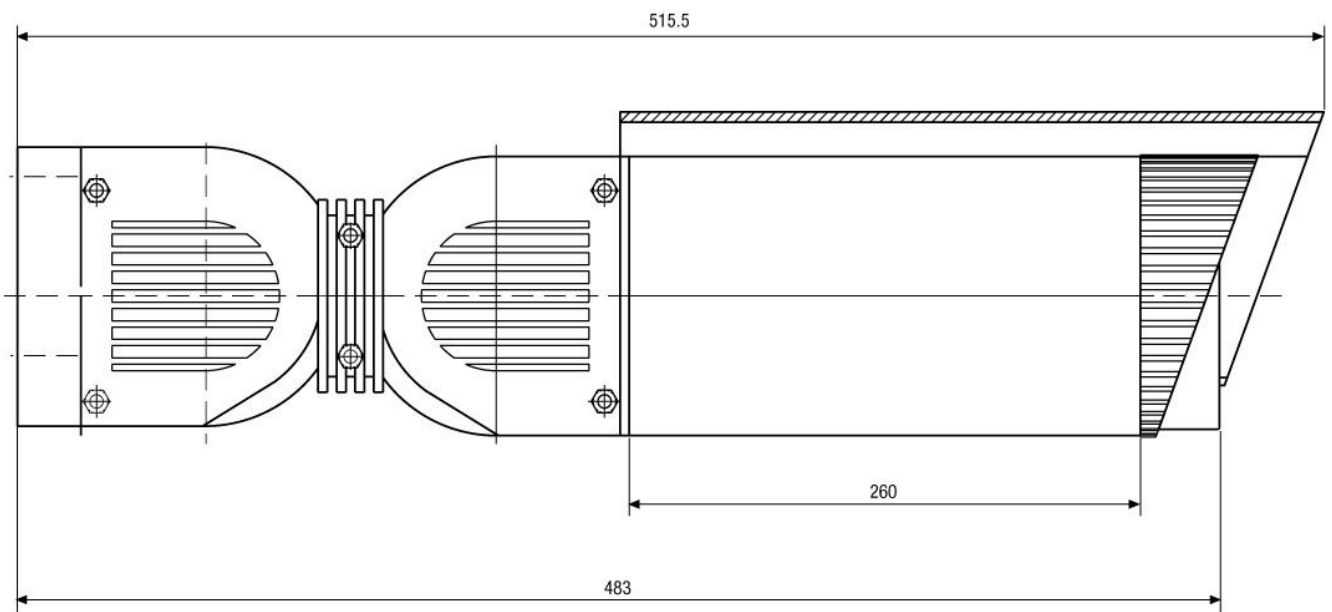
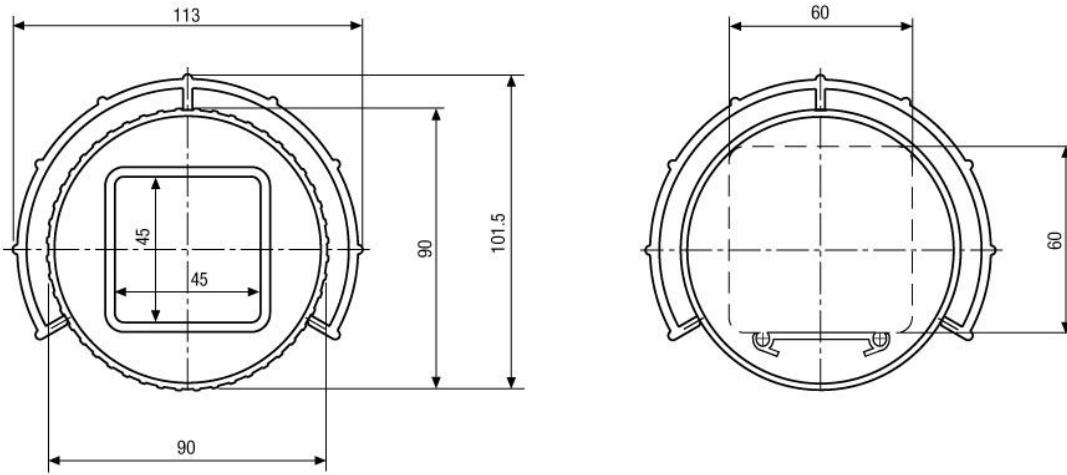
Specifications (continued)

| | |
|-------------------------------|---|
| Backlight compensation | BLC |
| Backlight compensation | ON/OFF switchable |
| Wide Dynamic Range (WDR) | no |
| Aperture Correction (APC) | Horizontal and vertical |
| Sharpness correction | ON/OFF switchable |
| IR cut filter | switchable |
| Video outputs | Composite (CVBS) |
| Lens type | varifocal |
| Lens | F1.0 - 240/3 - 8mm with DC controlled iris |
| Focal length | 3 mm - 8 mm |
| Horizontal angle of view | 90,8° - 36,2° |
| Iris control | DC |
| MOD (Minimum object distance) | 0,2 m |
| Filter screw size | not available |
| Illumination | no |
| Serial interfaces | no |
| External adjustments | 8 DIP switches for: ALC/ESC, BLC On/Off, Flickerless On/Off, Turbo AGC On/Off, Sharpnes On/Off, Day/Night, IR mode On/Off. Level for DC voltage controlled iris, Flange focus |
| Cable connection | Wiring for video and voltage supply made, accessible from outside |
| Temperature range (Operation) | -30°C ~ +40°C |
| Housing material | Aluminium, Plastic |
| Housing | Outdoor |
| Integrated wall mount | yes |
| Hidden cable management | yes |
| Sunshield | yes |
| Window heater | yes |
| Window heater | 12V |
| Clear Shield | no |
| Colour (housing) | RAL9016 |
| Protection rating | IP66/67 |
| Supply voltage | 12VDC |
| Supply voltage | (+/-20%) |
| Power consumption | approx. 9watts |
| Dimensions (HxWxD) | See drawing |
| Weight | 1.2kg |
| Parts supplied | 3mm Allen key, Bag of fixing screws |
| Remarks | Colour: RAL9016 (Body and sunshield), RAL7035 (Front and back), RAL7037 (Inner ball, fixing ring) |
| Certificates | CE |

Optional Accessories

| Image | Artikel-Nr. / Typ | Description |
|---|-------------------|--|
|  | VHU-NT1 | Power Supply Unit for Candid Housing Series 230VAC/12VDC-14VAC(Camera/Heater) |
|  | PM-41 | Pole Mount Adapter for Housing Series Candid, RAL7035 |

Technical Drawing



Maße/Dimensions: mm



Your partner for eneo products:

