

Video Security



CANDID C-02

1/3" Colour Camera with F1.0/3-8mm Lens
Candid Dustproof Housing, 480TVL

Art-No. 96002



Features

Colour Camera in Dustproof Housing
Resolution of 480 Horizontal Lines
Digital Signal Processing (DSP)
Back Light Compensation (BLC)
Electronic Shutter Control (ESC)

Integrated Eclipser Function
Horizontal and Vertical Aperture correction (APC)
High Sensitivity
Lens: F1.0/3-8mm
Index of Protection: IP54

Specifications

System	CCIR/PAL
Imager	1/3" Sony Super HAD Interline Transfer CCD
Active picture elements	Approx. 470,000, (H) 752 x (V) 582
Signal processing	Digital (DSP)
Synchronization	Internal
Gamma correction	Approx. 0.6
Horizontal resolution	480 TV lines
Sensitivity	0.7Lux at F1.0 / 1.0Lux at F1.2
Electronic shutter control (ESC)	1/50 to 1/15,000sec.
Backlight compensation (BLC)	ON/OFF switchable
Operations	AGC, BLC, Eclipser ON/OFF, Level for DC controlled lenses
Video output	1Vp-p, CCVS, 75ohms
Lens	F1.0/3-8 mm with manual control
Horizontal angle of view	91°-36°
Cable entry	Wiring for video and voltage supply made, accessible from outside
Housing	Aluminium with plastic front and back (Makrolon)
Heater/sunshield	No

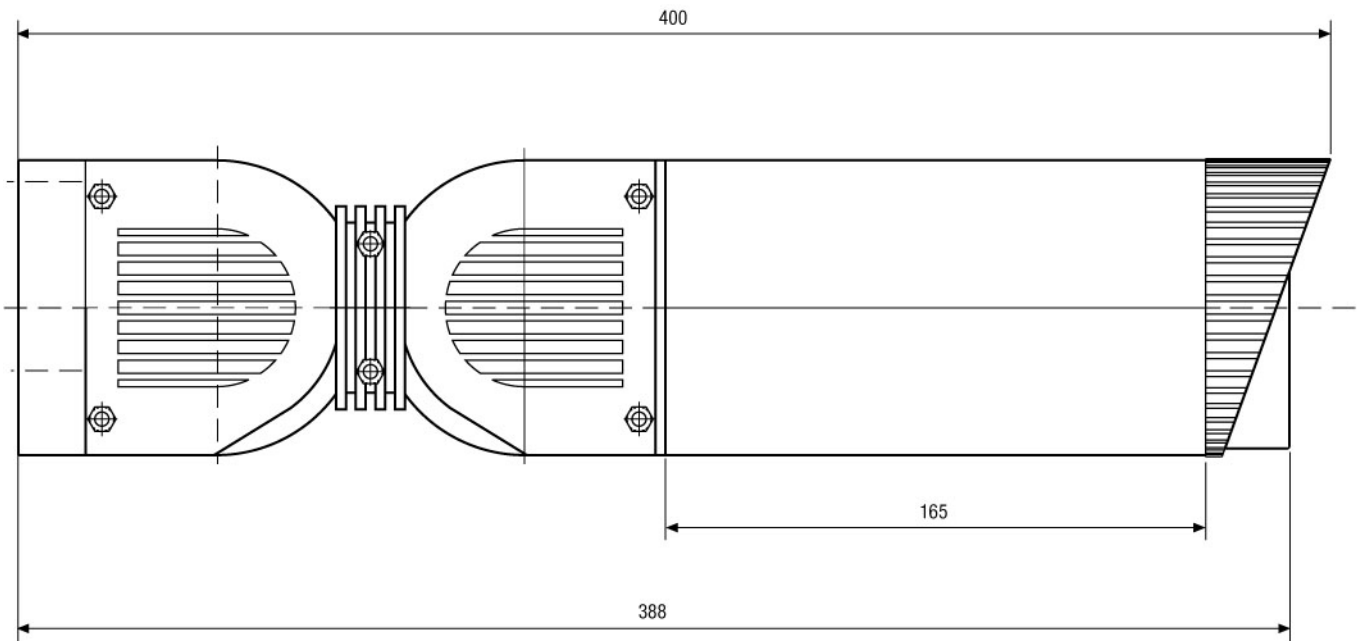
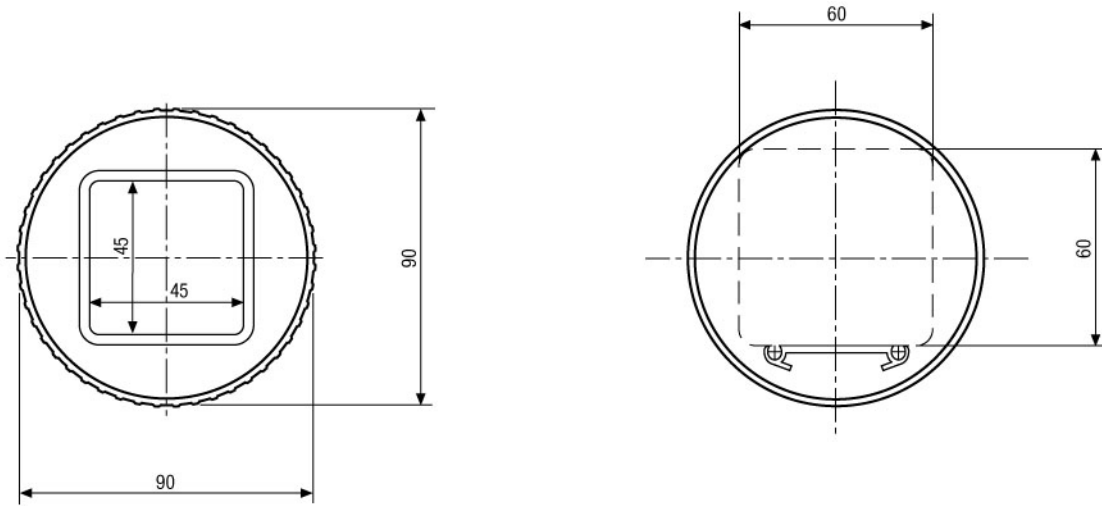
CANDID C-02

(Specifications continued)

Colour	RAL 9016 (Body) RAL 7035 (Front and back) RAL 7037 (Inner ball, fixing ring)
Protection rating	IP54
Supply voltage	12VDC (+/-10 %)
Power consumption	3watts
Temperature range	-10°C to +50°C
Dimensions (HxWxD)	See drawing
Weight	1.2kg
Parts supplied	3mm Allen wrench key, Bag of screws

Accessories

79494 / VHU-NT1	Power Supply Unit for Candid Housing Series 230VAC/12VDC-14VAC(Camera/Heater)
------------------------	--



Maße/Dimensions: mm

VIDEOR TECHNICAL E. Hartig GmbH
 Carl-Zeiss-Straße 8 · 63322 Rödermark · Germany
 Telefon +49 (0) 60 74/8 88-0 · Telefax +49 (0) 60 74/8 88-100
 info@videortechnical.com · www.videortechnical.com

