

Video Security



A08Z15NDDC

F1.8/8-120mm DC Motor Zoom Lens, 1/2"

C Mount

Art-No. 40225



Features

Suitable for 1/2" and 1/3" Colour and B&W Cameras

C Mount

DC Controlled Iris

Lens Design Exclusive for Motorization

High Standard of Optical and Mechanical Quality

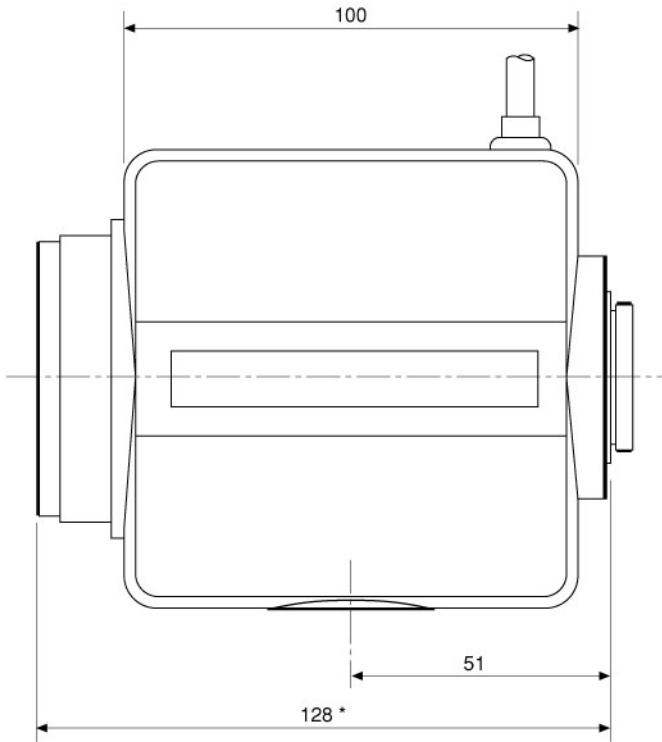
Quality Motors on Focus and Zoom

Adjustable Slip-ring Mount for Cable Positioning

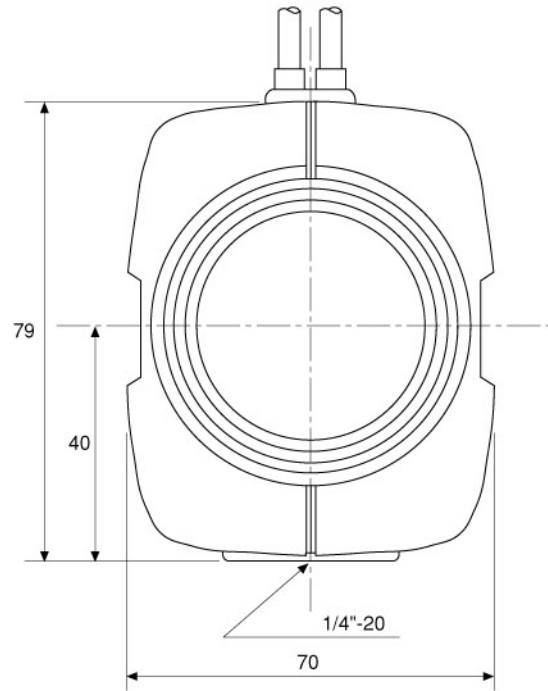
4-pin Connector for DC Iris Control

Specifications

Nominal format size	1/2"
Focal length (f)	8-120 mm
Aperture range (F)	F1.8-F360
Iris control system	Galvanometer
Horizontal angle of view at nominal format size	43.6° to 3°
Minimum object distance (M.O.D.)	1.2 m
Flange focal length	17.526 mm
Screw-in depth	4.0 mm
Filter screw size	M55x0.75 mm
Slip-ring mount	340°-360° Variable adjustment range
Cable length	>50 cm
Supply voltage range	8 VDC +/-20%
Max. current consumption/motor (run)	25 mA
Response time	Approx. 6 sec. (at 8 V)
Motor clutch on focus/zoom	Yes
Connection	Cable length: 20 cm, with 4-pin DC plug
Lens mount	C
Temperature range	-10°C to +50°C
Dimensions (HxWxD)	See drawing
Weight	550 g



* Gemessen in Stellung/Length at: ∞



Maße/Dimensions: mm