

Video Security



A08Z10NDDC-1

F1.8/8-80mm DC Motorzoom lens, 1/2" C Mount

Art-No. 41113



Features

Suitable for 1/2" and 1/3" Colour and B&W Cameras
C Mount
DC Controlled Iris
Lens Design Exclusive for Motorization
10x Focal Length Range

High Standard of Optical and Mechanical Quality
Quality Motors on Focus and Zoom
Adjustable Slip-ring Mount for Cable Positioning
4-pin Connector for DC Iris Control

Specifications

Nominal format size	1/2"
Focal length (f)	8-80mm
Zoom range	10x
Aperture range (F)	F1.8-F230 (usable filter density)
Iris control system	Galvanometer
Horizontal angle of view at nominal format size	44.1°-4.6°
Minimum object distance (M.O.D.)	1.3m
Flange focal length	17.526mm
Screw-in depth	4.0mm
Filter screw size	M52x0.75mm
Slip-ring mount	340°-360° Variable adjustment range
Cable length	Approx. 100cm
Supply voltage range	6 or 12VDC +/-10%
Max. current consumption/motor (run)	Approx. 10mA (at 8VDC)
Response time	Approx. 12sec. (at 8VDC)
Motor clutch on focus/zoom	Yes
Connection	Cable length: Approx. 20cm, with 4-pin plug
Lens mount	C
Temperature range	-5°C to +50°C

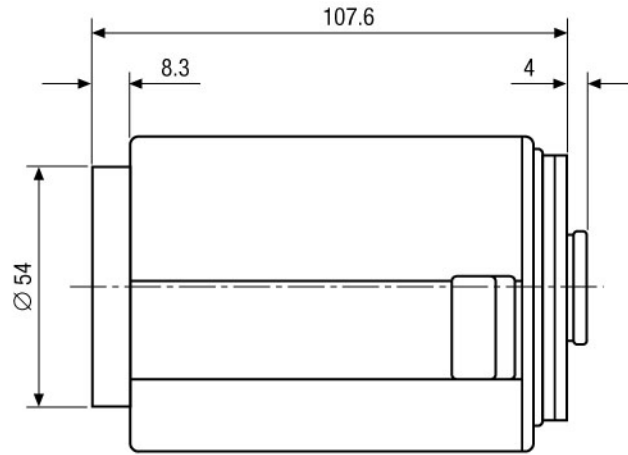
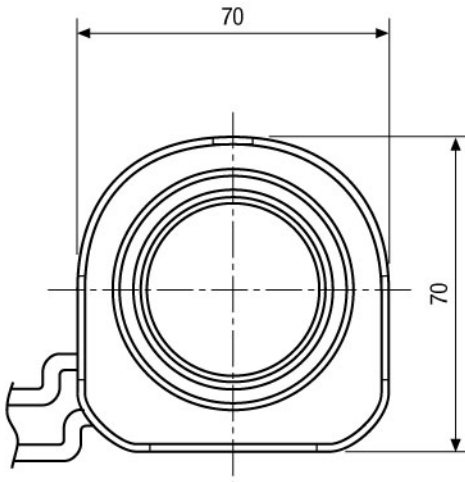
(Specifications continued)

Dimensions (LxD)

See drawing

Weight

380g



Maße/Dimensions: mm

VIDEOR TECHNICAL E. Hartig GmbH
Carl-Zeiss-Straße 8 · 63322 Rödermark · Germany
Telefon +49 (0) 60 74/8 88-0 · Telefax +49 (0) 60 74/8 88-100
info@videortechnical.com · www.videortechnical.com