

AI Controlled Lenses

FDP-No. : 47777

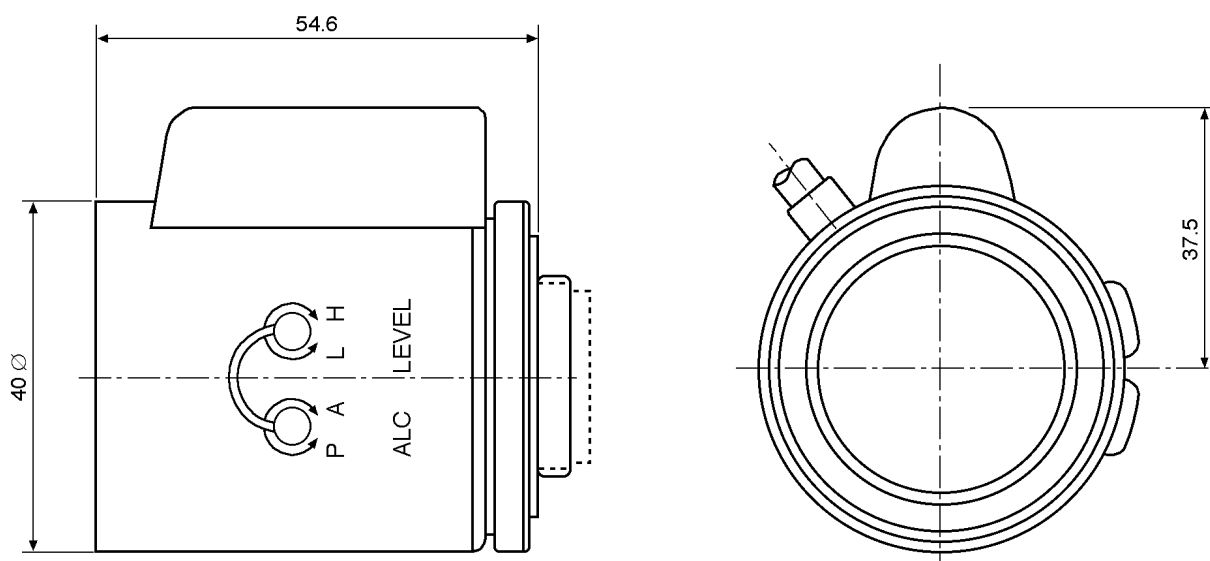
A06Z02NDAI

- Suitable for 1/2" and 1/3" Colour and B&W Cameras
- C Mount
- Variable Focal Length
- High Standard of Optical and Mechanical Quality
- Built-in Auto Iris Amplifier
- Adjustable Slip-ring Mount for Cable Positioning



Specifications:

Focal length (f)	6-12 mm
Aperture range (F)	F1.4-F64
Mount	C
Nominal format size	1/2"
Flange focal length	17.526 mm
Horizontal angle of view at nominal format size	56.1°-30°
Minimum object distance (M.O.D.)	0.3 m
Screw-in depth	7.5 mm
Filter screw size	M35.5x0.5 mm
Slip-ring mount	340°-360° Variable adjustment range
Iris control system	Galvanometer
Supply voltage	9-12 VDC
Input signal range	0.7 to 1.0 Vp-p (C)CVS
Max. current consumption	30 mA
Response time	1.5 sec.
Accuracy at +20°C	+/-10 %
Cable length	>50 cm
Dimensions (LxDxH)	54.5x40x37.5 mm
Temperature range	-20°C to +50°C
Weight	125 g



Maße/Dimensions: mm

e-mail: info@eneo-security.com • www.eneo-security.com