

# Video Security

Lenses | Varifocal Lenses

## A04Z02NDDC-MP

F1.4/4-8mm Megapixel DC Lens with variable Focal Length, 1/2" C Mount

Art-No. 43254



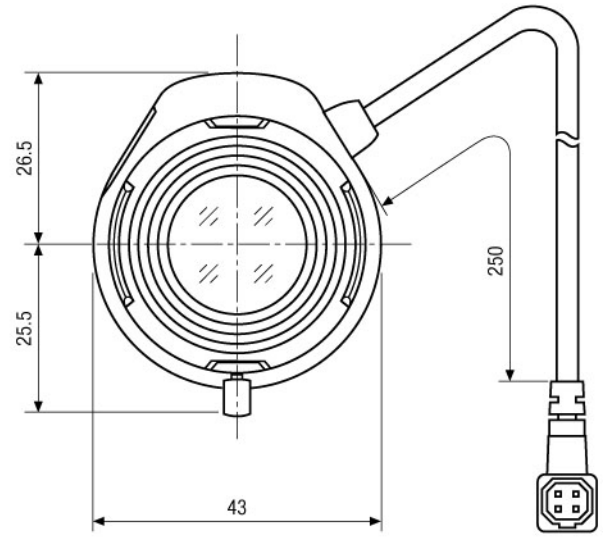
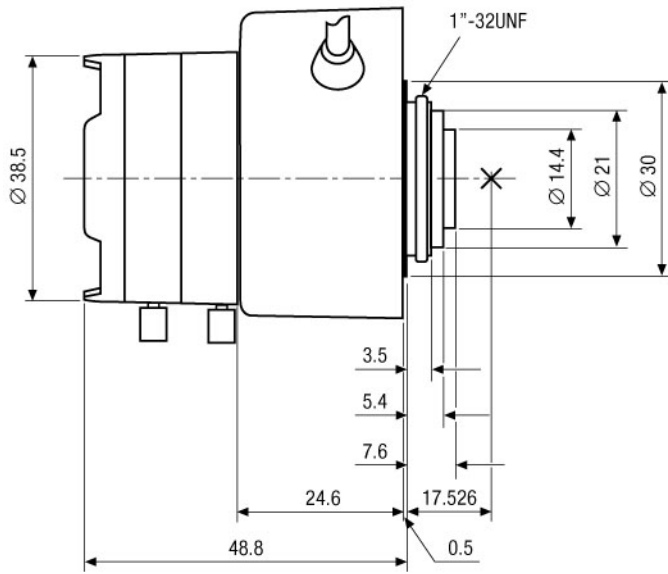
## Features

Suitable for 1/2" and 1/4" Cameras >1MPixels  
Variable Focal Length  
Aspherical Lens Elements  
CS Mount

High Standard of Optical and Mechanical Quality  
Without Built-in Auto Iris Amplifier  
4-pin Connector for DC Iris Control  
Adjustable Slip-ring Mount for Cable Positioning

## Specifications

Nominal format size	1/2"
Focal length (f)	4.0 ~ 8.0mm
Aperture range (F)	F1.4 ~ F260
Iris control system	Galvanometer
Horizontal angle of view at nominal format size	90.4° ~ 47°
Minimum object distance (M.O.D.)	0.5m
Flange focal length	17.526mm
Screw-in depth	5.4mm
Filter screw size	-
Slip-ring mount	340° ~ 360° Variable adjustment range
Cable length	Approx. 25cm
4-pin plug	Standard
Lens mount	C
Temperature range	-10°C ~ +50°C
Dimensions (LxDxH)	see drawing
Weight	75g



Maße/Dimensions: mm

VIDEOR TECHNICAL E. Hartig GmbH  
 Carl-Zeiss-Straße 8 · 63322 Rödermark · Germany  
 Telefon +49 (0) 60 74/8 88-0 · Telefax +49 (0) 60 74/8 88-100  
 info@videortechnical.com · www.videortechnical.com

