

Miniflood 100

Night-time illumination for CCTV



Miniflood 100

Specifically designed for short-range CCTV schemes up to 55 metres Miniflood is the latest addition to Derwent's complete range of high performance night-time illumination products

Small, attractive and robust, Miniflood has all the benefits of Derwent's range being efficient and reliable with outstanding bulb life - average of 8,000 hours

A comprehensive range of lens and filter options means that Miniflood is flexible and appropriate for all short range IR requirements.

The attractive compact design means Miniflood is appropriate for all industrial and commercial applications as well as being suitable for retail and domestic CCTV schemes

Colour version with mired shift filter for balanced, visible white light output for colour CCTV schemes

Miniflood 100 Short Range Long Life

Long bulb life - Average over 2 Year Operation

High output radiation through high efficiency optics and high output bulb

Range of 3 beam patterns: narrow, medium and wide lenses to allow efficient coverage of all CCTV scenes

Overt filters (730nm) & semi-covert (830nm) as standard. Discreet or colour-balanced filters as options

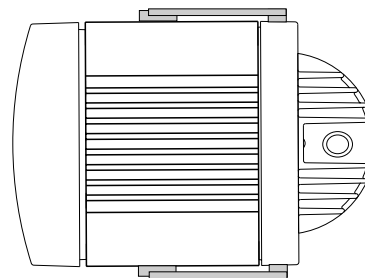
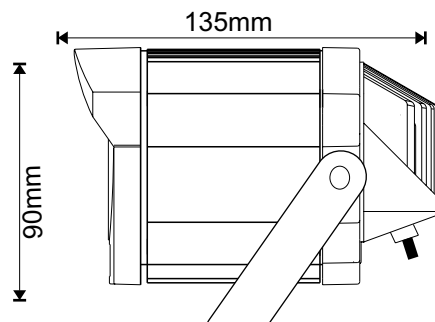
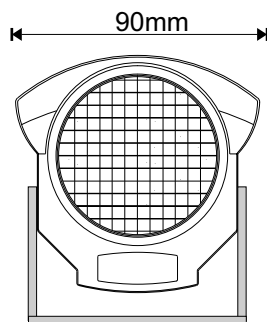
Small, attractive, robust construction

Extensive mounting options

High efficiency optics and long life bulb
Saves running, maintenance and installation costs

Low voltage at camera head

Derwent provide specialised advice and support for your night-time illumination CCTV projects and can arrange on-site demonstrations

Miniflood 100**Illuminator Specification****General**

Consumption	70W
Optics	Optimised focus optical system
Bulb-life	Average 8,000 hours
Construction	Robust aluminum casting/extrusion
Weight	<800g
Colour	Black (standard) RAL colours available as option
Cable Length	Supplied with 2m lead

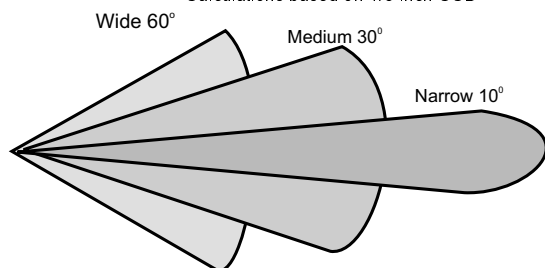
Filter Specifications

Standard Filters	730nm	Special to order	950nm
	830nm		
	Colour		

Lenses/Beam Patterns

10° Narrow	(Useable up to 15°) Suitable for 16mm lenses and longer*
30° Medium	(Useable up to 45°) Suitable for 6mm - 16mm lenses*
60° Wide	Suitable for 6mm and shorter*

*Calculations based on 1/3 Inch CCD

**Power Supply Specification****Standard Range**

Mains Supply	220 - 240V, 50Hz
Output	Nominal 12V , 5.5A
Photocell	Dusk/Dawn automatic switching
Remote Control	Volt Free switching from telemetry system (PSUMINIST Only)
Physical	IP66 Enclosure

Twin and Single Options

Single	PSU MINI SS 120mmx120mmx65mm
Twin	PSU MINI ST 160mmx80mmx65mm

Bracketry Specifications

U-Bracket	As standard
------------------	-------------

1/4" BSW tapped hole for top and bottom mounting

Note: Range, video signal, signal/noise ratio and field of view will depend on sensitivity and spectral response of camera/lens combination

Contact Derwent for advice on your proposed scheme**Replacement bulb type: MINILL****Ordering Information**Specify as **separate** items:

1. Specify lamp(s) incl. lens & filter	MF100/10/730
2. Specify power supply	PSU MINI SS

Agent/Distributor

Miniflood - Night-time illumination for CCTV**Europe:****Derwent Systems Limited**Derwent House, Colbourne Crescent,
Nelson Park, Cramlington, Northumberland, NE23 1WB**England**

Tel: +44 (0) 1670 730187

Fax: +44 (0) 1670 730188

North America:Vancouver, 4060 McConnell Drive Burnaby
BC V5A 3A8**Canada**

Tel: +001 604 420 7711

Fax: +001 604 420 3300

The performance figures given are typical.
In view of company policy of continuous
product development the specifications
may be changed without notice.
Version 2.1