

Miniflood LED

Night-time illumination for CCTV



Miniflood LED

Ultra long life, high reliability infra-red illuminator using solid state high efficiency LED's. Versatile input voltage 12 to 24V AC or DC

The inherent low power consumption of the solid-state LED array results in very low running cost over the life-time of the system

Specifically designed for short-range CCTV schemes, Miniflood LED compliments Derwent's range of high performance night-time illumination products and can be adapted to many short-range scenes with adjustable power settings

Developed for indoor and external applications with ranges up to 20 metres with IR sensitive cameras and lenses

Small, attractive and robust, Miniflood LED has all the benefits of the Derwent range being efficient and reliable

The attractive compact design means Miniflood LED is appropriate for all industrial and commercial applications as well as being suitable for domestic CCTV schemes



**MFLED Series
Ultra Long Life
with photocell**

Solid State
>5 years life

Semi covert 850nm
and covert 940nm

Adjustable power
settings to match
scene requirements

Low power consumption
Low running costs

Small, attractive,
robust construction

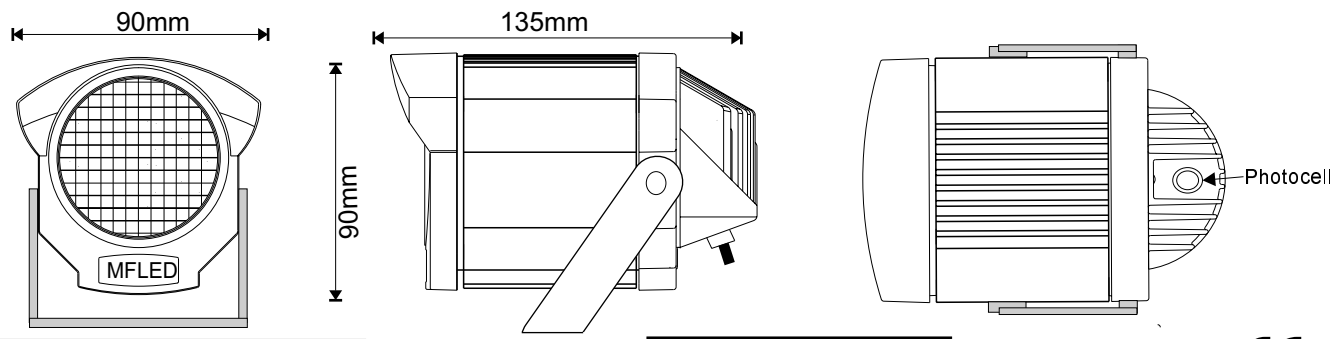
Extensive
mounting options

Rated for internal
&
external applications

Low voltage at
camera head

Derwent provide specialised
advice and support for
your night-time illumination
CCTV projects and can
arrange on-site
demonstrations

Miniflood LED



Illuminator Specification

General

Input	12 to 24V AC or DC
LED Array	850 nm semi-covert or 940 nm covert
Power * Consumption	15VA Max. On High High - Med - Low Settings * Switchable internally
Temperature Range	30°C ambient max on Hi power 35°C ambient max on Med power 40°C ambient max on Lo power
Construction	Robust aluminium casting/extrusion
Weight	0.8Kg
Colour	Black
Cable	Supplied with 2 metres connecting lead
Photocell	Dusk/Dawn automatic switching

Mains to Low voltage PSU

MFLED requires an external Mains to Low voltage power supply. Derwent manufactures dedicated power supply PSU230/15 which can run upto 2 MFLED.

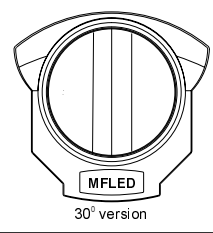
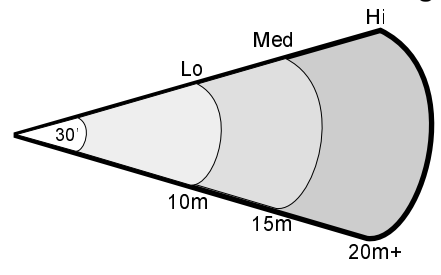
Product Ref: PSU230/15

Input	230V, 50Hz
Output	2x15V @ 1.5amp
Construction	Polycarbonate IP66 Enclosure Dimensions 160mmx120mmx90mm Weight: 1Kg

Beam Patterns

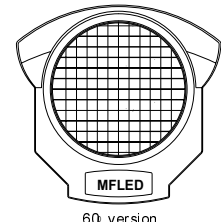
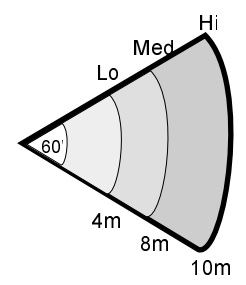


Angle 30° (Usable to 45°) Medium
suitable for 6mm lenses and longer



Distances as a guide only based on 850nm version with an IR sensitive camera

Angle 60° - Wide
suitable for 2.8mm ~ 6mm lenses



Distances as a guide only based on 850nm version with an IR sensitive camera

Note: Range, video signal, signal/noise ratio and field of view will depend on sensitivity and spectral response of camera/lens combination
Contact Derwent for advice on your proposed scheme

Bracketry Specification

U-Bracket	Standard
1/4" BSW	Top and Bottom Mounting

Ordering Information:	
Product	Order Code
1. 850nm LED with 30 deg spread:	MFLED 30/850
2. 850nm LED with 60 deg spread:	MFLED 60/850
3. 940nm LED with 20 deg spread:	MFLED 20/940
4. 940nm LED with 50 deg spread:	MFLED 50/940
5. PSU230/15 :	PSU230/15

Agent/Distributor

Miniflood - Night-time illumination for CCTV

Europe:
Derwent Systems Limited
 Derwent House, Colbourne Crescent,
 Nelson Park, Cramlington, Northumberland, NE23 1WB
England
 Tel: +44 (0) 1670 730187
 Fax: +44 (0) 1670 730188

North America
 4060 McConnell Drive Burnaby
 Vancouver, BC V5A 3A8
Canada
 Tel: +001 604 420 7711
 Fax: +001 604 420 3300

The performance figures given are typical. In view of company policy of continuous product development the specifications may be changed without notice. V30104