

Short Range - Ultra Long Life

Micro LED

Night-time illumination for CCTV



Micro LED

The Micro LED is a versatile, effective and economical Infra-Red illuminator that provides night-time covert lighting control for short range indoor and outdoor surveillance. The compact cube is designed to be located in the dark areas of a surveillance site, to enhance night-time performance of existing and new cameras. The discreet and aesthetic design ensures that MicroLED is ideal for all short-range Infra-Red requirements.



Above: The difference will look like night versus day. At left, a dark scene is illuminated with only a flashlight. At right, the totally DARK scene is revealed in full as if it were day under an Micro LED. With 1/4-20 mounts located at its bottom and rear, the Micro LED can be installed to ceilings and walls. It can be discreetly mounted to enhance the night-time lighting for covert surveillance..



Micro LED
Ultra Long Life
with photocell

Solid State
>5 years life

Semi covert 850nm
and covert 940nm

Adjustable power
settings to match
scene requirements

Low power consumption
Low running costs

Small, attractive,
robust construction

Extensive
mounting options

Rated for internal
&
external applications

Low Voltage
12 vdc or 24 vac

Simple Safe
Installation

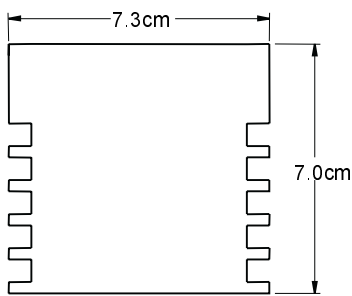
Derwent provide specialised
advice and support for
your night-time illumination
CCTV projects and can
arrange on-site
demonstrations

Micro LED - Night-time illumination for CCTV

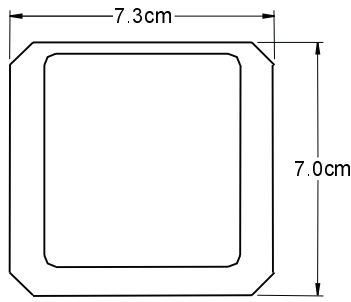
Note: For achievable distances please refer to the Matrix

Short Range -Ultra Long Life

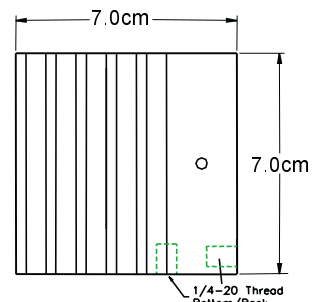
Micro LED



TOP VIEW



FRONT VIEW



SIDE VIEW

Specification

LED Array	High Performance 850nm or 940nm
LED Beam Angles	60 deg. (W), 30 deg. (M)
Number of LEDs	42
Output Control	Variable Resistor
Photocell	Automatic On/Off adjustable
Operational Range	-20°C to +50°C (-4°F to 122°F)
Humidity Range	Up to 85% relative humidity
Voltage Regulator	Included for electronic protection
Input	12 VDC or 24VAC
Consumption	700 mA (Max.)

Enclosure:

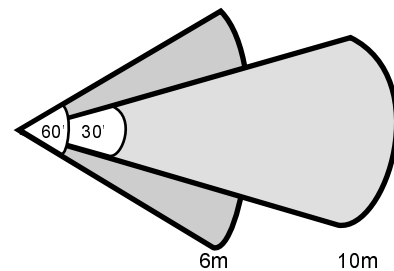
Housing	Aluminium
Front Window	Optical Acrylic
Back Cover	Anodized Aluminum Plate, Gasketed
Mount	1/4 Whit thread at bottom and rear
U-Bracket	Supplied as standard
Dimensions	W: 73mm D: 70mm H: 70mm
Weight	454g

Mains to Low voltage PSU

Micro LED requires an external Mains to Low voltage power supply. Derwent manufacture a dedicated power supply - PSU230/15

Beam Patterns

Medium - Angle 30° - Range 10m
Wide - Angle 60° - Range 6m



Distances above are based on 850nm versions

Performance Notes:

- Use good Infra-Red sensitive cameras for better results.
- 850nm models emit a slight red visible glow.
- 940nm models are not visible, but require best Infra-Red sensitive cameras.

Note: Range, video signal, signal/noise ratio and field of view will depend on sensitivity and spectral response of camera/lens combination
Contact Derwent for advice on your proposed scheme

Ordering Information:

Order Code	Product
EX12LED.850M 850nm	30 deg. Medium Beam
EX12LED.850W 850nm	60 deg. Wide Beam
EX12LED.940M 940nm	30 deg. Medium Beam
EX12LED.940W 940nm	60 deg. Wide Beam

(includes U-Bracket)

Agent/Distributor

Miniflood - Night-time illumination for CCTV

Europe:
Derwent Systems Limited
 Derwent House, Colbourne Crescent,
 Nelson Park, Cramlington, Northumberland, NE23 1WB
England
 Tel: +44 (0) 1670 730187
 Fax: +44 (0) 1670 730188

North America
 4060 McConnell Drive Burnaby
 Vancouver, BC V5A 3A8
Canada
 Tel: +001 604 420 7711
 Fax: +001 604 420 3300

The performance figures given are typical. In view of company policy of continuous product development the specifications may be changed without notice.
 V10203