



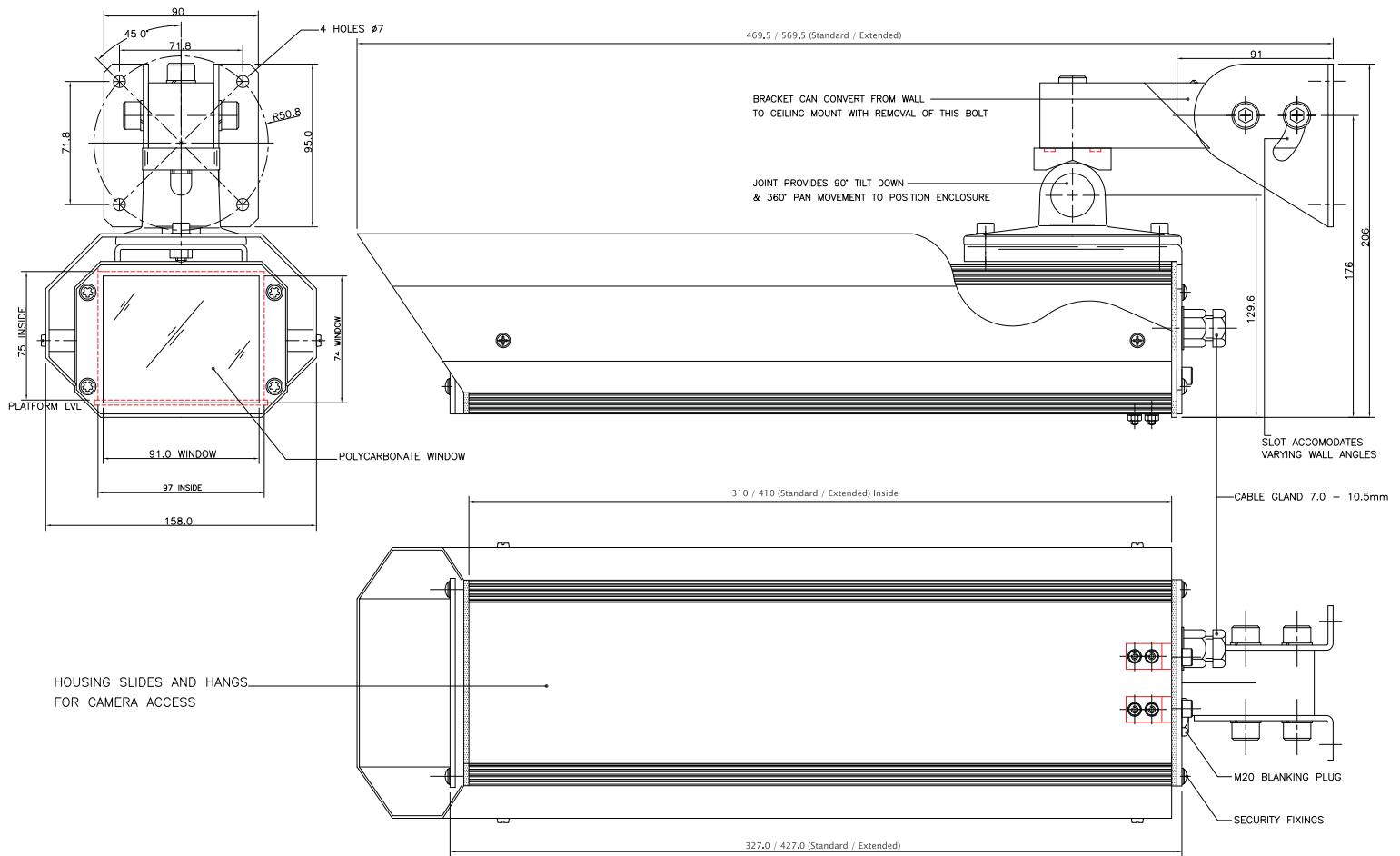
504 CAMERA HOUSING

The type 504 camera housing is suitable for internal or external use. The units are constructed from hollow aluminium extrusion with an aluminium sheet metal sunshield, steel end plates and polycarbonate window, offering strength, reliability and environmental protection to BS.EN 60529 Level IP65 in an attractive design. The unit features a 'slide and hang' design that keeps the cover captive when it is removed to access the camera.

FEATURES

- Constructed from extruded aluminium and steel sheet
- Polyester powder coated
- Weatherproof. BS.EN 60529 Level IP 65 (no water ingress)
- Models available with heater
- Tamperproof fixings
- Robustly constructed
- Available Voltages - 110-230Vac, 12-24Vac/dc
- Two length options; standard and extended

SPECIFICATION



MATERIAL

Aluminium alloy extrusion

FINISH

Polyester powder coated

COLOUR

Standard Housing:

Body & Bracket - BS8400 00-A-05 (Eggshell Goose Grey), Sunshield - RAL9016 (Gloss White)

Extended Housing:

Body, Bracket & Sunshield - NC51002B (Egg shell Light Grey)

WEIGHT

Standard Housing: 5.1kg

Extended Housing: 5.6kg

HEATER POWER

12 Watts

HEATER VOLTAGE

110-230Vac or 12-24Vac/dc

WARRANTY

2 Years

Model Code	Description
DM/504-002	Extended Housing & Bracket no heater L/Grey
DM/504-090	Standard Housing & Bracket 110-230V with heater
DM/504-142	Standard Housing & Bracket 12-24V with heater
DM/504-143	Standard Housing & Bracket
DM/504-147	Standard Housing & Bracket no window
DM/504-148	Standard Housing & Bracket 12-24V Sunshield
DM/504-150	Standard Housing & Bracket 24V with heater
DM/504-200	Extended Housing & Bracket 12-24V L/Grey

To find your nearest Dedicated Micros office, please visit

www.dedicatedmicros.com

Head Office: Dedicated Micros UK, 1200 Daresbury Park, Daresbury, Warrington, WA4 4HS Tel: +44 (0) 845 600 9500 Fax: +44 (0) 845 600 9504 Email: customerservices@dmicros.com

The manufacturer reserves the right to change the specification without notice. All trademarks are courtesy of registered owners. DV-IP is trademark of AD Holdings plc. The DM logo is a trademark of Dedicated Microcomputers Group Ltd. NetVu Connected is a trademark of the AD group.

© Copyright AD Group March 2010

