

DVS 800 IPS

SEDOR® Video Analysis Server Appliance for up to 4× Analysis and 8× Recording



SEDOR® is a high-performance and self-learning video analysis system which provides outstanding analytical results due to state-of-the-art image analysis algorithms and the constant adjustment of the system parameters to the current surrounding conditions (auto-adaptation). If used together with the different **analysis applications**, it can serve a variety of surveillance and counting purposes.



The **DVS 800 IPS** is a compact and versatile SEDOR® video analysis server appliance on basis of the **VideoNetBox II**. The well-proven hardware supports the **analysis of up to 4 IP video channels** and the **recording of up to 8 IP video channels**.

Analysis

The dedicated analysis server software *DVS Analysis Server* is configured using the integrated *SEDOR® WebGUI* over Ethernet (browser). Together with the optional licenses for the various SEDOR® analysis applications, up to 4 IP video channels can be used for video analysis.

Output

Analysis results can be output in real-time directly to the external management clients *PGuard advance* and *SMAVIA Viewing Client*. In addition, they can be sent as a message in XML format or used for the control of external relays over Ethernet. The results of counting applications can be represented graphically or in tabular form using the optional display and evaluation module *SEDOR® DiViStic* over Ethernet with a browser.

Recording

The integrated VideoIP server software *SMAVIA Recording Server* is configured over Ethernet with a browser. The basic version is already equipped with licenses for the recording of 2 IP video channels. It can be expanded with up to 6 additional IP video channels using license codes.

Evaluation

The corresponding software *SMAVIA Viewing Client* for Microsoft Windows¹⁾ 7/8 operating systems allows for the independent and convenient evaluation of the recordings over Ethernet (LAN/WAN).

The **DVS 800 IPS** has a compact housing and is perfectly suited for wall mountings.

Features DVS Analysis Server

- Up to 4 analysis channels supported
- Supports Dallmeier IP cameras²⁾
- SEDOR® analysis application Art optional
- SEDOR® analysis application Intruder optional
- SEDOR® analysis application Object Counting optional
- SEDOR® WebGUI for analysis configuration over Ethernet integrated
- SEDOR® DiViStic display module for counting analyses optional
- SEDOR® camera sabotage protection optional
- Ethernet I/O Interface optional
- Ethernet 3D People Counter optional

Features SMAVIA Recording Server

- Up to 8 recording channels supported
- Licenses for 2 recording channels included
- Basic license for the access of a SMAVIA Viewing Client included
- Free conversion of the basic license to a floating license on acquisition of additional access licenses
- License for updating the software for 12 months included
- License for PRemote-HD in real-time optional
- License for LocalViewing and ViProxy optional
- License for the recording of multicast video streams included
- License for real-time recording included
- Recording of 3rd-party IP cameras with motion detection optional³⁾
- Configuration of 3rd-party IP cameras via ONVIF protocol optional³⁾
- Connection to Active Directory over LDAP
- Evaluation with SMAVIA Viewing Client over Ethernet

1) Microsoft and Windows are trademarks or registered trademarks of Microsoft Corporation headquartered in Redmond, Washington, USA
 2) Please note the white paper *DVS Analysis Server & Camera Settings*.
 3) Please note the white paper *SMAVIA & 3rd Party IP Cameras*.

DVS 800 IPS

SEDOR® Video Analysis Server Appliance for up to 4× Analysis and 8× Recording

Appliance	
005504	DVS 800 IPS SEDOR® video analysis server appliance for up to 8× IP video channels, licenses for 4 analysis channels optional, licenses for 2 recording channels included, licenses for 6 additional recording channels optional, without HDDs

Integrated Licenses	
DLC - 1 Basic Client Access License for the access of a SMAVIA Viewing Client to a SMAVIA Recording Server (basic license)	
DLC - 2 Recording Channels License for the use of two channel for recording with SMAVIA Recording Server	
DCP - DVS Software Maintenance 12 Months License for the update of the DVS Analysis Server software for 12 months	
DLC - SNMP License for the integration into a central SNMP device management system	
DLC - Multicast Recording License for recording the video streams of Dallmeier IP cameras transmitting over multicast	
DLC - Real-Time Recording License for real-time recording for all IP channels (depends on the camera)	

Optional Licenses DVS Analysis Server	
004247	DLC - 1 Analysis Channel SEDOR® Art icense for the simultaneous use of the applications SEDOR® Art and SEDOR® Camera Sabotage Protection for one channel
004248	DLC - 1 Analysis Channel SEDOR® Intruder License for the simultaneous use of the applications SEDOR® Intruder and SEDOR® Camera Sabotage Protection for one channel
004249	DLC - 1 Analysis Channel SEDOR® Object Counting License for the simultaneous use of the applications SEDOR® Object Counting and SEDOR® Camera Sabotage Protection for one channel
004210	DLC - 1 Analysis Channel SEDOR® Camera Sabotage Protection License for the detailed configuration, detection and reporting of covering, defocusing and twisting of the camera for one channel
004192	DLC - SEDOR® 3D Counting License for the use of the software interface for the connection of an Ethernet 3D People Counter for one channel
004137	DLC - SEDOR® DiViStic License for the use of the module for the display of the results of up to eight counting applications or devices

Optional Licenses SMAVIA Recording Server	
004757	DLC - 1 Additional Client Access (VNB II) License for the simultaneous access of a further SMAVIA Viewing Client on SMAVIA Recording Server (floating license)
004758	DLC - 5 Additional Client Access (VNB II) License for the simultaneous access of five further SMAVIA Viewing Clients on SMAVIA Recording Server (floating license)
004759	DLC - 10+ Additional Client Access (Unlimited, VNB II) License for the simultaneous access of an unlimited number of SMAVIA Viewing Clients on SMAVIA Recording Server, depending on system load and bandwidth (floating license)
004760	DLC - 2 Additional Recording Channel (VNB II) License for the use of two additional channel for recording with SMAVIA Recording Server
004002	DLC - 3rd Party Package for 1 IP Channel (VNB II) License for recording (permanent or motion detection ⁴⁾) of the video stream of third-party IP cameras for one IP channel
004003	DLC - 3rd Party Package for 2 IP Channels (VNB II)
004004	DLC - 3rd Party Package for 4 IP Channels (VNB II)
004005	DLC - 3rd Party Package for 8 IP Channels (VNB II)
004762	DLC - PRemote-HD (VNB II) License for the transmission of SD and HD video at low bandwidth, including a dedicated access license ⁵⁾ and the function for bidirectional audio transmission (intercom) via LAN/WAN
004764	DLC - LocalViewing (VNB II) License for the use of the integrated video player for the local playback of one camera and the multi-split local live display of several cameras
004766	DLC - ViProxy (VNB II) License for the connection of a physically separate network for IP cameras, including authorisation management. In conjunction with SeMSy® III multicast streaming can also be used.
005142	DLC - Ethernet I/O Interface for SMAVIA⁶⁾ License for the use of the software interface for the connection of Ethernet I/O interfaces

4) Please note the white paper SMAVIA & 3rd Party IP Cameras.

5) The first PRemote client (master) is assigned active control over the PRemote stream; further PRemote clients (slaves) receive the stream passively.

6) The current version supports the connection of the interfaces MOXA ioLogik E1210 (16 contacts) and MOXA ioLogik E1214 (6 contacts, 6 relays).

DVS 800 IPS

SEDOR® Video Analysis Server Appliance for up to 4× Analysis and 8× Recording

Optional Hardware	
000178	Mounting of a HDD Mounting of a HDD, incl. function, long-term-, and final test, acceptance and approval
004087	 HDD 1000 GB, SATA, 2.5"
001739	 Remote Ethernet I/O Interface⁷⁾ Ethernet I/O Interface, 2× Ethernet, 6× relay (Moxa E1214)
004130	 3D People Counter X6-PoE⁸⁾ Ethernet 3D People Counter X6 installation height 2.5–6m
004131	 3D People Counter X6⁸⁾ Ethernet 3D People Counter X6 installation height 2.5–6m
004139	 3D People Counter X4 Kit⁸⁾ Ethernet 3D People Counter X4 installation height 2.2–4m, cable and power supply unit included
Maintenance and Warranty	
004193	DCP - DVS Software Maintenance 12 Months License for the update of the DVS Analysis Server Software for further 12 months
004769	DCP - 36 Months "Bring-in" Warranty (VNB II) Extension of the "Bring-in" warranty period (without HDDs) to 36 months in total
004770	DCP - 48 Months "Bring-in" Warranty (VNB II) Extension of the "Bring-in" warranty period (without HDDs) to 48 months in total
004771	DCP - 60 Months "Bring-in" Warranty (VNB II) Extension of the "Bring-in" warranty period (without HDDs) to 60 months in total

7) Please note the required license **DLC - Ethernet I/O Interface for SMAVIA** (005142).
 8) Please note the required license **DLC - SEDOR® 3D Counting** (004192).

DVS 800 IPS

SEDOR® Video Analysis Server Appliance for up to 4× Analysis and 8× Recording

Specifications Hardware

Components	
CPU	Multi-Core
RAM	1× 4 GB DDR3
Flash module	1× 2 GB (for operating system only)
Hard disk drives	2× HDD, SATA, 2.5" optional
Fans	1× with automatic speed adaptation
Power supply module	External module (included in the scope of delivery)

Interfaces	
Monitor OUT	1× Mini-D-SUB (resolution 1920 × 1080, for configuration, LocalViewing optional) 1× HDMI (resolution 1920 × 1080, for configuration, LocalViewing optional)
AUX/Line IN	1× 3.5 mm phone jack (for intercom, license 004762 required)
Audio OUT	1× 3.5 mm phone jack (for intercom, license 004762 required)
USB	4× USB 2.0
Ethernet 1	1× RJ45, 10/100/1000 Mbps
Ethernet 2	1× RJ45, 10/100/1000 Mbps (optional, for ViProxy)
Ethernet protocols	IPv4, TCP, UDP, ARP, ICMP, DHCP, NTP, HTTP
Contact IN	12× with galvanic isolation, only for switch/push button (dry contact), with 4 functions each
Relay OUT	2× with galvanic isolation, max. 12V DC/24V AC/0,5A, 150 mOhm, as NC or NO
12V DC OUT	1× Weidmüller socket
Serial	1× RS232 1× RS485

Electrical Data	
Voltage supply	12V DC ±5%
Power consumption	Max. 40W with 2× HDD
Heat power	Max. 136 BTU/h with 2× HDD

Mechanical Data	
Dimensions (W × H × D)	Approx. 230 × 95 × 150 mm (9.0" × 3.6" × 5.9") without feet
Weight	Approx. 4 kg (9 lbs) with 2 HDDs

Ambient Data	
Temperature	+5°C up to +40°C (41°F – 104°F)
Recommended temperature	+20°C up to +25°C (68°F – 77°F)
Humidity	5 – 70% RH, non-condensing
Atmospheric load	Dust-free

Approvals/Certifications	
Type	CE, FCC, DIN EN 50130-4

DVS 800 IPS

SEDOR® Video Analysis Server Appliance for up to 4× Analysis and 8× Recording

Specifications DVS Analysis Server Software

Software	
Operating system,	Linux (proprietary, hardened)
Application	DVS Analysis Server Software
Supported cameras	IP cameras from Dallmeier ⁹⁾
Analysis channels	Up to 4× IP video channels
External configuration software	SEDOR® WebGUI
Language	English, German (others on request)

Applications/Functions	
SEDOR® Art	optional
SEDOR® Intruder	optional
SEDOR® Object Counting	optional
SEDOR® Camera Sabotage Protection	optional
SEDOR® 3D Counting	optional
SEDOR® DiViStic	optional

Specifications SMAVIA Recording Server Software

Software	
Operating system	Linux (proprietary, hardened)
Application	SMAVIA Recording Server Software
Supported cameras	Dallmeier IP cameras and 3rd party ¹⁰⁾ IP cameras
Recording channels	Up to 8× IP video channels
External management software	SMAVIA Viewing Client, DMVC App
External configuration software	PService
Track mode	Automatic
Certification	LGC Forensics
Language	English, German, French, Spanish, Italian (others on request)

Performance	
Video/Audio compression	H.264 / G.722.1
Frame rate per SD channel	6,25 / 12,5 / 25fps
Frame rate per HD channel	6,25 / 12,5 / 25fps
Frame rate per RTSP channel	Up to 25 fps
Max. total bit rate	Up to 48 Mbps
Bit rate per SD channel	Up to 4 Mbps
Bit rate per HD channel	Up to 6 Mbps
Bit rate per RTSP channel	Up to 6 Mbps
Resolutions SD	QCIF (176 × 144), CIF (352 × 288), Half D1 (352 × 576), 2CIF (704 × 288), 4CIF (704 × 576), D1 (720 × 576)
Resolutions HD	720p (1280 × 720), SXGA (1280 × 960), 2MP (1600 × 1200) 1080i (1920 × 1080), 1080p (1920 × 1080), 3MP (2048 × 1536), 4MP (2336 × 1744), 5MP (2592 × 1944), up to 8MP

9) Please note the white paper **DVS Analysis Server & Camera Settings**.

10) Optional licenses required: **3rd Party Package** 004002 to 004005. Please note the white paper **SMAVIA & 3rd Party IP Cameras**.

DVS 800 IPS

SEDOR® Video Analysis Server Appliance for up to 4× Analysis and 8× Recording

Recording ¹¹⁾	3rd Party IP Camera ¹¹⁾	Dallmeier IP Camera
Transport protocol	RTP über UDP	TCP
Communications protocol	RTSP	DaVid
Recording control with timer	integrated	integrated
Recording mode Constant	integrated	integrated
Recording mode Contact	integrated	integrated
Recording mode Motion	integrated	integrated
Recording mode Motion/Contact	integrated	integrated
Switching recording mode by timer	--	integrated

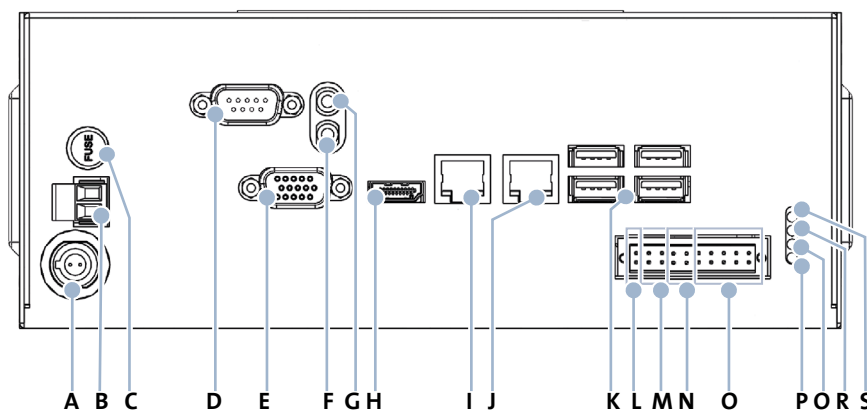
Functions ¹¹⁾	3rd Party IP Camera ¹¹⁾	Dallmeier IP Camera
Motion detection	integrated	integrated
SmartFinder	integrated	integrated
Appliance as video proxy	integrated	integrated
Appliance as multicast streamer	integrated	integrated
PRemote-HD	integrated	integrated
DMVC Server	integrated	integrated
PTZ control local	integrated	integrated
PTZ control with SMAVIA Viewing Client	integrated	integrated
Camera configuration	integrated	integrated
Locking the camera configuration	--	integrated
Audio recording	--	integrated
Recording of multicast video streams	--	integrated
EdgeStorage&SmartBackfill	--	integrated
Network scan (IP Finder)	--	integrated
Video analysis	--	integrated

11) Data refer to a fully equipped appliance. Optional licenses are required.

DVS 800 IPS

SEDOR® Video Analysis Server Appliance for up to 4× Analysis and 8× Recording

Connections



- | | |
|--|---|
| <p>A Power Supply 12V DC
ODU socket, 2-pole, 12V DC ±5%</p> <p>B 12V DC OUT
Weidmüller socket, 2-pole, 12V DC ± 5% (max. 3.2A)</p> <p>C Fuse
5 × 20 mm, type F, 3.15A</p> <p>D Serial Interface COM 1
D-SUB, 9 pins, 1 × RS232</p> <p>E Video OUT Mini-D-SUB
Mini-D-SUB, 15-pole, 1920 × 1080 (for configuration, LocalViewing optional)</p> <p>F Audio OUT
3.5 mm phone jack, 1 kOhm, 2.828 V_{pp} (optional, for intercom)</p> <p>G AUX / Line IN
3.5 mm phone jack, 16 kOhm, 2.828 V_{pp} (optional, for intercom)</p> <p>H Video OUT HDMI
HDMI 1.3, type A, 1920 × 1080 (for configuration, LocalViewing optional)</p> <p>I Ethernet Interface 2
RJ45, 10/100/1000 Mbps (optional, for ViProxy)</p> <p>J Ethernet Interface 1
RJ45, 10/100/1000 Mbps</p> <p>K USB Interface
4 × USB 2.0, type A</p> | <p>L Serial Interface COM 2
2 pins on Weidmüller 20 pins, 1 × RS485 Half Duplex (for Dallmeier PTZ dome)</p> <p>M Relay OUT (1 and 2)
Weidmüller socket, 4 pins, max. 12V DC/24V AC/0,5A, 150 mOhm</p> <p>N Contact IN global (1-4)
Weidmüller socket, 4 pins, only for switch/push button (dry contact)</p> <p>O Contact IN cameras (1-8)
Weidmüller socket, 8 pins, only for switch/push button (dry contact)</p> <p>P Status LED (Power)
Blue / The device is in operation.</p> <p>Q Status LED (Record)
Green / The device is recording.</p> <p>R Status LED (Alarm)
Orange / The device is in alarm mode.</p> <p>S Status LED (Error)
Red / The device indicates an error.</p> |
|--|---|

Dimensions

