

DVS 1600 IPS

SEDOR® Video Analysis Server, 24× IP Channels with 8× Analysis and 24× Recording, 3HU



SEDOR® is a high-performance and self-learning video analysis system which provides outstanding analytical results due to state-of-the-art image analysis algorithms and the constant adjustment of the system parameters to the current surrounding conditions (auto-adaptation). If used together with the different **analysis applications**, it can serve a variety of surveillance and counting purposes.



The **DVS 1600 IPS** is a high-performance server for the **SEDOR®** video analysis system with integrated audio and video recording.

The basic version with 8 IP-based recording channels can be expanded by up to 16 further IP-based recording channels with a license code. Together with the optional licenses for the various **SEDOR®** analysis applications (Intruder, Object Counting, Art) up to 8 channels can be used for video analysis according to demand.

The **DVS 1600 IPS** is a stand-alone device and can be installed and operated in a 19" rack using the optionally available 19" bracket.

- Supports network cameras by Dallmeier
- Up to 24 recording channels
- Video compression MPEG-4, MJPEG, H.264
- Audio compression MPEG-1 Layer 2, G.722
- Simultaneous real-time recording, analysis and streaming
- Simultaneous live display and playback with SMAVIA Viewing Client via Ethernet
- Up to 8 analysis channels
- SEDOR® analysis application Intruder
- SEDOR® analysis application Object Counting
- SEDOR® analysis application Art
- SEDOR® WebGUI for the analysis configuration via Ethernet
- SmartFinder integrated

Hardware	
000613	DVS 1600 IPS SEDOR® video analysis server, without HDD, 8× video channels (SD-IP / HD-IP), 3HU

Accessories	
000010	19" Bracket 19" bracket for the installation of DMS, DVS, PVS IV, PVS 7
000283	RAID 1 Raid 1 for devices with 2× HDDs of the same capacity, ex factory only
000310	DFM-1 USB Radio clock unit, USB
001699	SATA Controller Board¹⁾ SATA interface for the connection of a DAS-4 Eco storage expansion, ex factory only
001739	Remote Ethernet I/O Interface²⁾ Ethernet I/O Interface, 2× Ethernet, 6× relay (Moxa E1214)

Licenses	
000271	DLC - VoiceTalk Licence for the use of bidirectional audio transmission (intercom)
000554	DLC - 2 Additional IP-Based Channels (VNS, IPS) License for 2 additional IP-based channels
000555	DLC - 4 Additional IP-Based Channels (VNS, IPS)
000556	DLC - 8 Additional IP-Based Channels (VNS, IPS)
000583	DLC - 1 Analysis Channel SEDOR® Intruder (DVS 1600) License for the use of the application SEDOR® Intruder for 1 channel
000577	DLC - 1 Analysis Channel SEDOR® Counting (DVS 1600) License for the use of the application SEDOR® Counting for 1 channel
000589	DLC - 1 Analysis Channel SEDOR® Art (DVS 1600) License for the use of the application SEDOR® Art for 1 channel
000595	DLC - SEDOR® Event Matrix License for the use of the software interface for the connection of an Ethernet I/O Interface
002780	DLC - PRemote-HD (DMS, DMX, DLS, DVS) License for the transmission of SD and HD video at low bandwidth
003174	DLC - ViProxy (DMS, DVS, DMX) License for the use of the second Ethernet interface

1) The device is not equipped with an ODU socket (12V OUT; power supply unit 001686 required)
2) License 000595 required

DVS 1600 IPS

SEDOR® Video Analysis Server, 24× IP Channels with 8× Analysis and 24× Recording, 3HU

Specifications

Max. recording channels	24× IP-based video channels
Max. analysis channels	8× IP-based video channels
Supported cameras	IP cameras by Dallmeier
Video/audio compression	MPEG-4, MJPEG, H.264/MPEG-1 Layer 2, G.722
Operating mode	Simultaneous real-time recording, analysis and streaming Simultaneous local live display and playback with SMAVIA Viewing Client via Ethernet
Split display	1, 4, 9, 13, 16 (via SMAVIA Viewing Client)
Display resolution	D1, 4CIF, Half D1, 2CIF, CIF, QCIF
Recording resolution	SD, HD (720p, 1080i, 1080p), up to 8MP
Recording mode	Permanent, Motion, Event-driven, Timer
Frame rate per channel	6.25 / 12.5 / 25fps
Bitrate per channel	Up to 4 Mbps with 8 channels Up to 3 Mbps with 16 channels Up to 2 Mbps with 24 channels

Integrated Functions

Track modes	Standard, automatic, manual
SNMP	Integrated
Motion detection	Integrated
SEDOR® Camera Sabotage Protection	Integrated
SmartFinder	Integrated
Audio for all channels	Integrated

Software

Operating system	Linux (proprietary, hardened)
Recording application	Dallmeier recorder software
Language recording application	English, German, French, Spanish, Italian (others on request)
External management software	SMAVIA Viewing Client
External configuration software	NetConfig2
Analysis system	SEDOR® video analysis system
Analysis application	SEDOR® Intruder, Counting, Art
Analysis configuration	SEDOR® WebGUI via Ethernet
Language analysis configuration	English, German (others on request)

Hardware

Flash module	2 GB (for operating system only)
Hard disk	Up to 2× 3.5" (optional)
Hard disk drive	DVD-RW optional
Fan	2× with automatic speed adaptation

Interfaces

Video OUT	1× VGA, 1× DVI
Line IN / Microphone IN / Audio OUT	3× 3.5mm phone jack
USB	7× USB 2.0
Ethernet 1	1× RJ45, 10/100/1000Mbps
Ethernet 2	1× RJ45, 10/100/1000Mbps (optional)
Ethernet Protocol	IPv4, TCP, UDP, ARP, ICMP, DHCP, NTP, HTTP
Contact IN	30×, each 4 functions
Relais OUT	5×, as NO or NC
Serial	2× RS232
PS/2	Mouse, keyboard

Electrical Data

Voltage supply	110/230V AC ±10%, 50/60 Hz
Power consumption	Max. 200 W
Thermal output	Max. 684 BTU/h

Mechanical Data

Dimensions (W × H × D)	Approx. 425 × 130 × 446 mm (16.6" × 5.1" × 17.5") (with feet) Approx. 425 × 122 × 446 mm (16.6" × 4.8" × 17.5") (without feet)
Height units	3HU
Weight	Approx. 10 – 12 kg (22 – 26.5lb)

Ambient Data

Temperature	+5°C up to +25°C (41°F – 77°F)
Recommended temperature	+20°C up to +25°C (68°F – 77°F)
Humidity	5 – 70% RH, non-condensing
Atmospheric load	Dust-free

Approvals and Certification

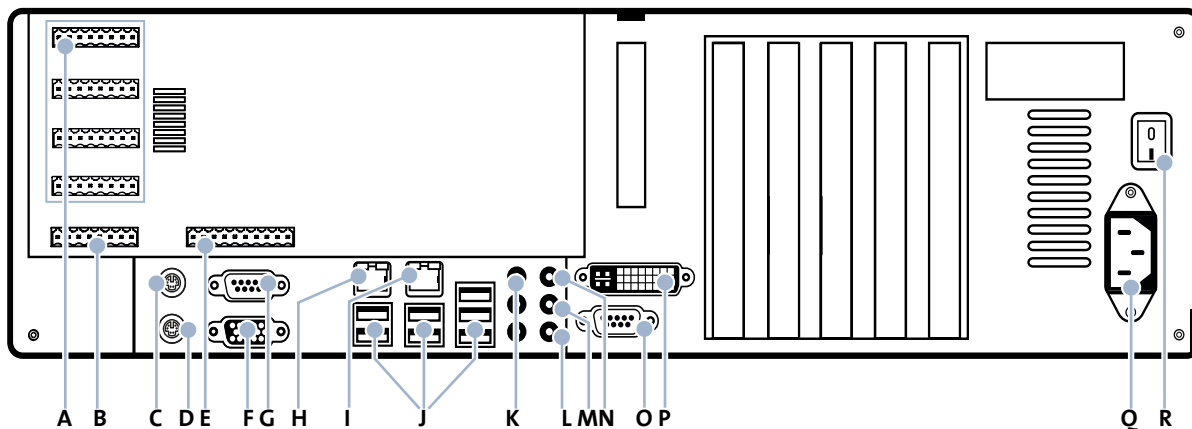
CE, FCC, ACA, CB, DIN EN 50130-4, LGC Forensics

DVS 1600 IPS

SEDOR® Video Analysis Server, 24× IP Channels with 8× Analysis and 24× Recording, 3HU

Connections

The number of the connections can differ depending on the ordered equipment or device variant. The following description refers to a device with full equipment and optional connectors.



A Contact IN Cameras (1–6/7–12/13–18/19–24)

4× Weidmüller, 8 pins

B Contact IN global (1–6)

Weidmüller, 8 pins

C Mouse

PS/2, green

D Keyboard

PS/2, violet

E Relais OUT (1–5)

Weidmüller, 10 pins

F Video OUT VGA

Mini-D-SUB, 15-pole, VGA, 1024 × 768 (configuration only)

G Serial Interface COM 1

D-SUB, 9 pins, RS232

H Ethernet Interface 2

RJ45, 10/100/1000 Mbps (optional license)

I Ethernet Interface 1

RJ45, 10/100/1000 Mbps

J USB Interface

7× USB 2.0, type A

K 3.5mm Phone Jack

3×, not active

L Microphone IN

3.5 mm phone jack, red, 4.3 kOhm, 2.828 V_{pp}

M Audio OUT

3.5 mm phone jack, green, 1 kOhm, 2.828 V_{pp}

N AUX / Line IN

3.5 mm phone jack, blue, 16 kOhm, 2.828 V_{pp}

O Serial Interface COM 2

D-SUB, 9 pins, RS232

P Video OUT DVI

Dual Link (24 + 5), DVI-I, 2560 × 1600 (configuration only, not suitable for VGA adapter)

Q Mains Connection

IEC C14 socket, 110/230V AC ±10%, 50/60 Hz

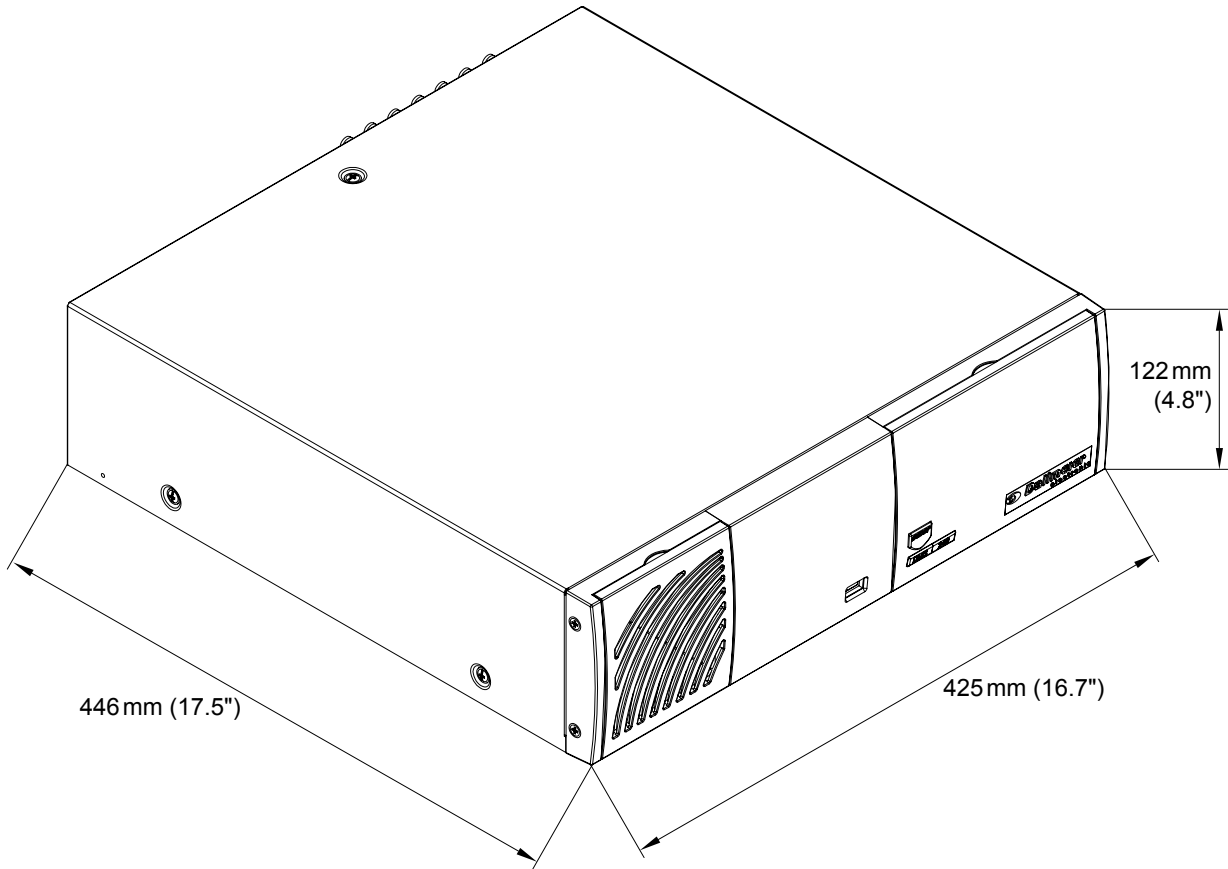
R Mains Switch

DVS 1600 IPS

SEDOR® Video Analysis Server, 24× IP Channels with 8× Analysis and 24× Recording, 3HU

Dimensions

Housing



19" Bracket

