

DF3000AXS



The DF3000AXS is a HiRes UWDR Cam_inPIX® colour box camera.

- Horizontal resolution: 540 TV lines
- 1/3" DPS* sensor with Cam_inPIX® technology
- Digital Pixel System* chipset
- 17-bit Digital Signal Processing
- High sensitivity at F0.95, 50IRE: 0.5 lux
- Progressive image capture
- Progressive With Segmented Frames (PsF) image data transmission
- Electronic Day/Night switching ¹⁾
- Advanced noise reduction
- Enhanced image quality by means of numerous control functions like AWB, AGC, BLC and extended slow shutter
- Configuration via UTC commands
- Practical small size
- Power supply: 12V DC
- Standard version delivered without lens
- DIN EN 50130-4 compliant

¹⁾ The electronic Day/Night switching is not realised through a mechanically switchable IR cut filter. Therefore, there is no ICR function available and hence no IR sensitivity.

Variants	
Item number	
200.400.7.100	DF3000AXS-DN PAL / electr. Day-Night / grey without lens

Options	
Item number	
200.400.999	Design colours: Depending on customer demand, housing colour available according to PAL or Pantone colour scale., For enquires please contact design@dallmeier.com
100.043	Voltage converter 24V AC on 12V DC
200.433	Privacy Zone Box, for analogue cameras
200.440	PicoRemote, UTC Remote Box for analogue Cam_inPIX® cameras
210.400.2	Fujinon F0.95/ 2.8-8mm D, HiRes vari-focal lens / Day / not IR corrected
210.400.3	Fujinon F1.5/ 15-50mm DN, HiRes vari-focal lens / Day-Night / IR corrected
210.400.4	Fujinon F0.95/ 2.9-8mm DN, HiRes vari-focal lens / Day-Night / IR corrected
100.042	Universal power pack 110-240V AC / 12V DC, removable adapter EU/UK/US/AUS
200.300.1.001	Weather-proof housing Sun with mounted box camera, Operational from normal to very high ambient temperatures, ranging from -20°C to +60°C; with mounted camera including fan, heater, sun shield and wall mount, Please note that camera must be ordered separately
200.300.2.001	Weather-proof housing Sun for box camera, Operational from normal to very high ambient temperatures, ranging from -20°C to +60°C; including fan, heater, sun shield and wall mount
200.301.1.001	Weather-proof housing Arctic with mounted box camera, Operational from very low temperatures of -55°C up to +45°C; with mounted camera including heater, sun shield, power supply unit and wall mount, Please note that camera must be ordered separately
200.301.2.001	Weather-proof housing Arctic for box camera, Operational from very low temperatures of -55°C up to +45°C; including heater, sun shield, power supply unit and wall mount
200.434.1.001	MicroStreamer-PoE, PAL / grey

* Digital Pixel System is a trademark or registered trademark of the company Pixim, Inc. headquartered in Mountain View, California, USA., DPS is a trademark or registered trademark of the company Pixim, Inc. headquartered in Mountain View, California, USA., Trademarks which are designated by an ® are registered trademarks of Dallmeier electronic.

Technical specifications

Sensor	1/3" CMOS sensor with Cam_inPIX®
Signal Processing	17-bit Digital Signal Processing
Dynamic range	102 dB typical - 120 dB max.
Image capture	Progressive
Transfer format	PsF -Progressive With Segmented Frames
Image resolution	720 H x 540 V pixels
Horizontal resolution	540 TV lines
B/W and colour mode	Colour mode only in day mode selectable
Day/Night functionality	Electronic switching (no mechanical ICR function)
Light sensitivity	At F0.95, 50IRE: 0.5 lux
Zoom	Digital 4x
Slow Shutter	Up to 8x
Signal to noise ratio (SNR)	> 48 dB
Brightness adjustment (ALC/AE)	Automatic / manual
Backlight compensation (BLC)	Adjustable backlight zone
Automatic gain control (AGC)	Brightness and gain limit adjustable 0-48 dB
Gamma correction	Automatic / manual
Adjustable white balance	ATW, AWB, MWB (2000K to 11000K)
Synchronisation	Internal
AE presets	7 presets
Configuration	Outlined OSD: remote-controlled via UTC commands or at the camera via integrated joystick
Languages	English
Signal format (video)	CVBS, 75 Ohm
Privacy zones	Via Privacy Zone Box

Lens specifications

Mount	CS mount, C mount with 5 mm adapter
Iris range/ focal length range	Standard version delivered without lens
Iris control	DC auto iris
IR filtering	Included IR Cut filter
Lens variants	F0.95/ 2.8-8 mm -D- F0.95/ 2.9-8 mm, IR corrected -DN- F1.5/ 15-50 mm, IR corrected -DN- -

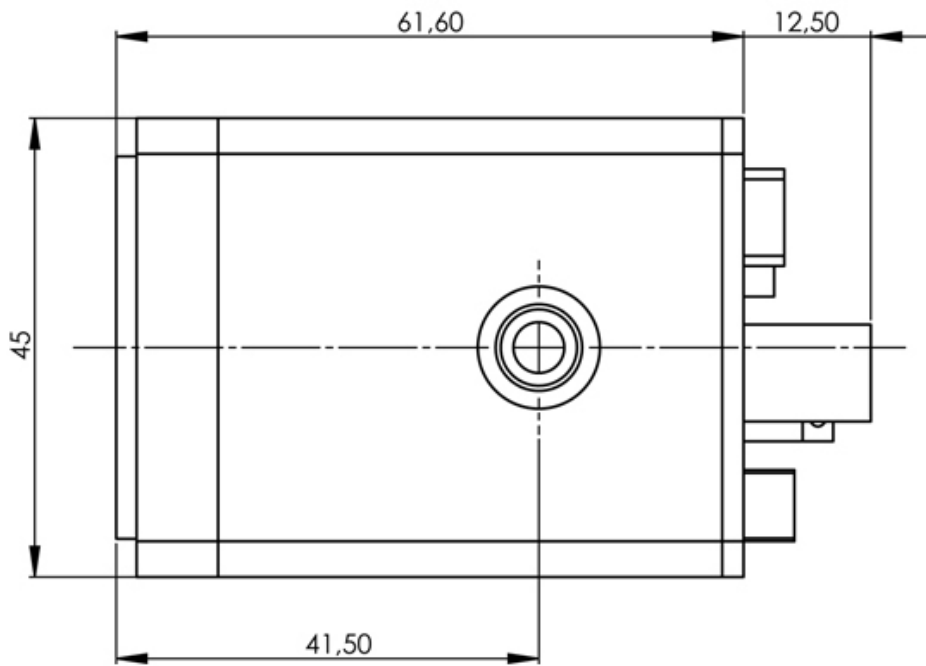
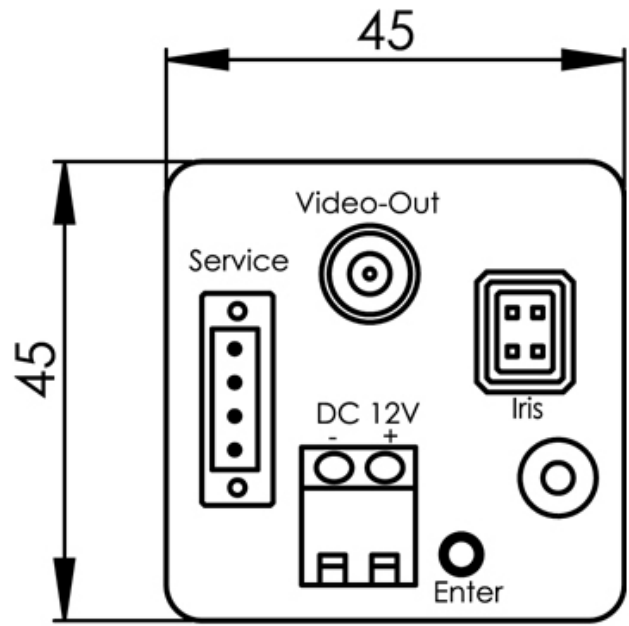
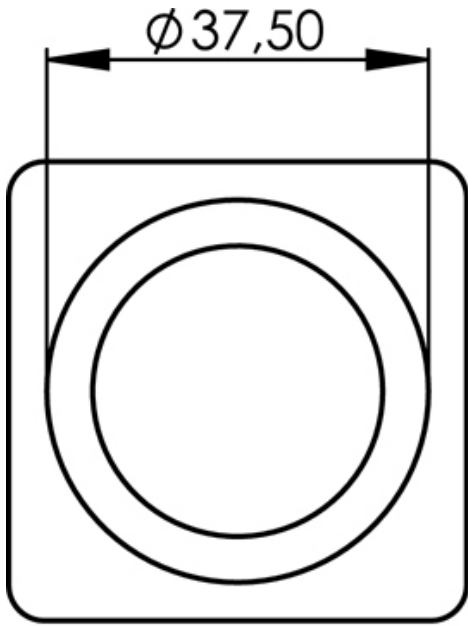
CasinoCam camera variants

Further specifications

Video norm	SDTV (PAL/NTSC)
Video outputs	1x CVBS/BNC
Voltage supply	12V DC +/- 10%
Power consumption	Max. 2.1 W
Dimensions	Approx. W 45 x H 45 x L 73 mm
Weight	Approx. 160 g
Operating temperature	-10°C - 45°C, recommended 0°C - 35°C
Humidity	0% - 90% RH non-condensing
Approvals/certifications	CE, FCC, UL, ACA, UVV-Kassen, CB, DIN EN 50130-4

DF3000AXS

Technical drawings



[mm]