

DDF4500HDV



The Ideal entry into the world of HD!

The DDF4500HDV is a vandal-resistant 2 megapixel high-definition Cam_inPIX® colour network dome.

- 1/2,5" 5 megapixel CMOS image sensor with Cam_inPIX® technology
- Pure Digital Signal Processing
- High sensitivity: at F1.0, 50IRE: 1.6 lux
- Electronic Day/Night switching
- Enhanced image quality by means of numerous control functions such as AWB, AGC, and slow shutter
- Resolution: SD, HD (720p, 2MP)
- Frame rate up to 30 fps
- Video compression: H.264, MJPEG
- Simultaneous dual- or tri-streaming
- Megapixel vari-focal lens: F1.8/ f=4-10mm, Day
- Integrated motion detection with selectable sensitivity ²⁾
- Noise suppression
- Hybrid IP camera with an analogue preview output
- Alarm notification via FTP image upload
- Local video memory SDHC card slot integrated
- Power supply: 12V DC, PoE
- Tri-axial adjustment
- Two available camera variants: in-ceiling mount and surface mount
- Compact, vandal-resistant housing with IP67 (surface mount variant)
- DIN EN 50130-4 compliant

²⁾ Tentative

Variants	
Item number	
200.410.01.100	DDF4500HDV-IM 720p / electr. Day-Night / white / clear bubble / in-ceiling mount variant Megapixel Vari-focal lens F1.8/ 4-10mm
200.410.02.100	DDF4500HDV-SM 720p / electr. Day-Night / white / clear bubble / surface mount variant Megapixel Vari-focal lens F1.8/ 4-10mm

Options	
Item number	
200.404.03.01.01	Clear bubble, for dome cameras
200.404.04.999	Design colours: Depending on customer demand, housing colour available according to PAL or Pantone colour scale for in-ceiling mount variants, For enquires please contact design@dallmeier.com
200.516.1	EvC-1, High-Speed Ethernet data transmission via coaxial cable
100.042	Universal power pack 110-240V AC / 12V DC, removable adapter EU/UK/US/AUS

* Trademarks which are designated by an ® are registered trademarks of Dallmeier electronic.

Technical specifications

Sensor	1/2.5" 5-Megapixel CMOS sensor
Signal processing	Digital Signal Processing
Image capture	Progressive
Transfer format	Progressive (full image)
Sensor resolution	5MP
B/W and colour mode	Automatic / manual
IR filtering	Included IR Cut filter
Day/Night functionality	Electronic switching (no mechanical ICR function)
Light sensitivity	At F1.0, 50IRE: 1.6 lux
Shutter speed	1/30 s to 1/1000 s
Signal to noise ratio (SNR)	> 45 dB
Digital noise reduction (DNR)	On/Off
Brightness adjustment (ALC/AE)	Automatic / manual
Automatic gain control (AGC)	Automatic / manual
Adjustable white balance	AWB
Configuration	Via web browser
Languages	English
Motion detection (VMD)	With selectable sensitivity
Alarm notification	Via ftp upload

Lens specifications

Mount	CS mount
Iris range/ focal length range	F1.8/ 4-10 mm, (MP)
Iris control	DC auto iris
Horizontal angle of view	Wide end: 94.8°, tele end: 37.3°

Format and coding

Video compression	H.264, MJPEG
HD standards	SMPTE 296M
Resolution	SD, HD (720p, 2MP)
Frame rate	Up to 5 fps at 2MP (MJPEG) Up to 30 fps at 720p (H.264) Up to 30 fps at D1 (H.264)
Video bit rate	Up to 8 Mbps (2 Mbps typical)
Video streaming	Simultaneous dual or tri streaming: H.264, MJPEG

Interfaces

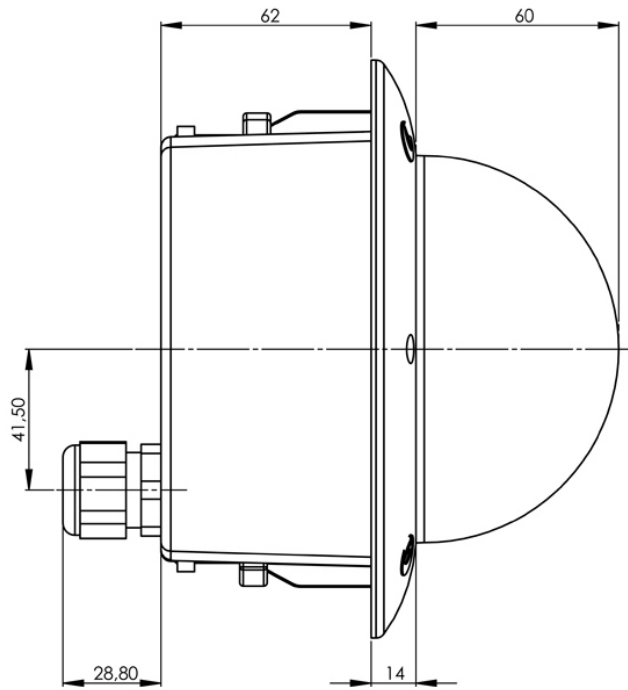
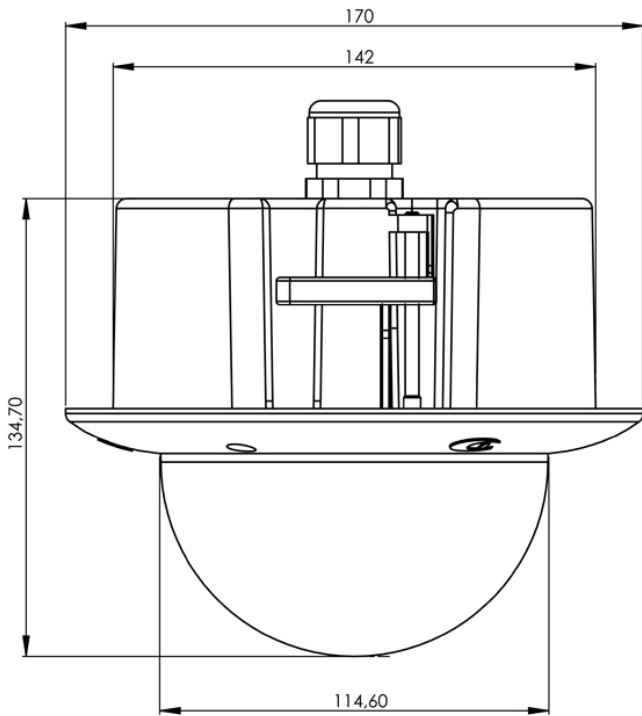
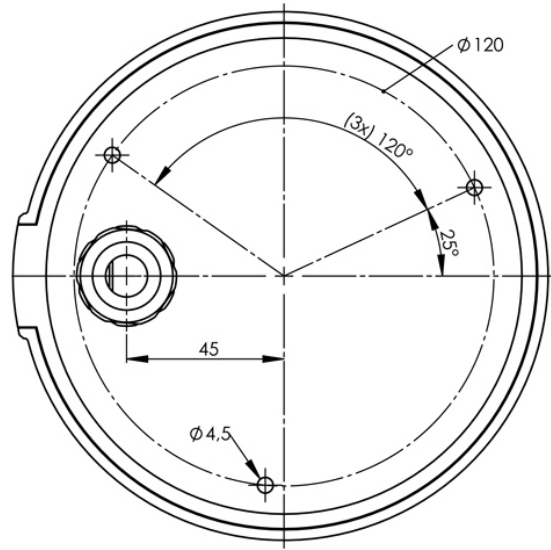
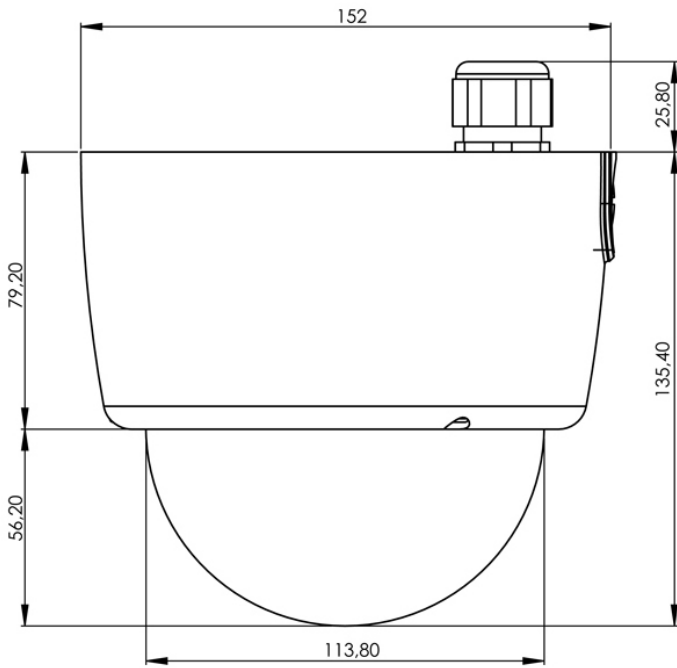
Video outputs	1x CVBS/BNC (Preview: analog SD output) only for local installation
Audio outputs	1x 3.5 mm phone jack (Line OUT, mono)
Ethernet	1x RJ45, 10BASE-T-/100BASE-TX-PoE
Ethernet protocols	DHCP, HTTP, UDP, UPnP, FTP, SMTP, RTP
Local video memory	SDHC card slot integrated

Further specifications

Video norm	HDTV, SDTV (PAL/NTSC)
Voltage supply	12V DC +/-10%, via PoE (Class 0)
PoE conformity	IEEE 802.3af
Power consumption	Max. 4 W
Dimensions	Approx. Ø 153 x H 135 mm (surface mount) Approx. Ø 170 x H 129 mm (in-ceiling mount) Approx. 1100 g (surface mount) Approx. 1200 g (in-ceiling mount)
Weight	
Operating temperature	Surface mount variant (in- and outdoor): -10°C - 40°C In-ceiling mount variant (indoor): 0°C - 35°C
Humidity	0% - 90% RH non-condensing
IP rating	IP67 (surface mount and weather-proof variant)
Approvals/certifications	CE

DDF4500HDV

Technical drawings



[mm]