

DH-SD4023/4223-H

23x Mini PTZ Dome Camera



SD4023-H

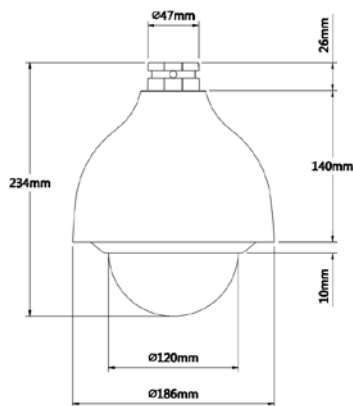


SD4223-H

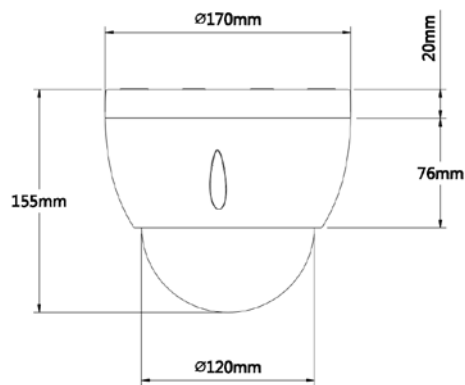
Features

- Powerful 23x optical zoom
- High resolution@650TVL/540TVL
- DWDR, Day/Night (ICR), DNR (2D&3D), Auto iris, Auto focus, AWB, AGC, BLC
- Max 300°/s pan speed, 360° continuous pan rotation
- Up to 255 presets, 5 auto scan, 8 tour, 5 pattern
- Built-in 2/1 alarm in/out
- Support intelligent 3D positioning with DH-SD protocol
- IP66

Dimensions (mm)



SD4023-H



SD4223-H

DH-SD4023/4223-H

Technical Specifications:

Model	SD4023-H	SD4223-H	SD4023C-H	SD4223C-H
Camera				
Image Sensor	1/4" EXviewHAD CCD II		1/4" CMOS	
Effective Pixels	976(H) × 582(V) / 976(H) × 494(V)		640(H) × 480(V)	
Horizontal Resolution	Color: 650TVL; B/W: 700TVL		540TVL	
Scanning System	Interlacing		Progressive	
Electronic Shutter Speed	1/1s ~1/100,000s		1/50(60)s ~1/100,000s	
Min. Illumination	Color: 0.01 Lux/F1.6, B/W: 0.001Lux/F1.6		Color: 0.5 Lux/F1.6, B/W: 0.05Lux/F1.6	
S/N Ratio	More than 50dB			
Video Output	BNC(1.0Vp-p/75Ω), PAL / NTSC			
Camera Features				
Day/Night	Auto(ICR) / Color / B/W			
Backlight Compensation	BLC / HLC / DWDR (Digital WDR)		BLC	
White Balance	Auto, ATW, Indoor, Outdoor, Manual			
Gain Control	Auto / Manual			
Noise Reduction	2D / 3D		2D	
Privacy Masking	Up to 24 areas		N.A.	
Digital Zoom	16x		N.A.	
Lens				
Focal Length	3.9 mm~89.7mm (23x Optical zoom)			
Max Aperture	F1.6~ F3.7			
Focus Control	Auto / Manual			
Angle of View	61.68° ~ 3.06°			
Close Focus Distance	100mm~1000mm			
PTZ				
Pan/Tilt Range	Pan: 0° ~ 360° endless; Tilt: 0° ~ 90°, auto flip 180°			
Manual Control Speed	Pan: 0.1° ~ 250°/s; Tilt: 0.1° ~150°/s			
Preset Speed	Pan: 300°/s; Tilt:200°/s			
Preset	80(DH-SD) , 255(Pelco-P/D)			
PTZ Mode	5 Pattern, 8 Tour, 5 Auto Scan, Auto Pan			
Speed Setup	Human-oriented focal length/ speed adaptation			
Power up Action	Auto restore to previous PTZ and lens status after power failure			
Idle Motion	Activate Preset/Pan/Scan/Tour/Pattern if there is no command in the specified period			
Time Task	Auto activation of Preset/Pan/Scan/Tour/Pattern by preset-time			
Protocol	DH-SD, Pelco-P/D (Auto recognition)			
Auxiliary Interface				
RS485	1 port			
Alarm	2/1 channel In/Out			

DH-SD4023/4223-H

General	SD4023-H	SD4023C-H	SD4223-H	SD4223C-H
Power Supply	AC24V/1.5A ($\pm 10\%$), DC12V optional			
Power Consumption	12W, 27W(Heater on)		12W	
Working Environment	-40°C ~ 60°C / Less than 90% RH		-10°C ~ 50°C / Less than 90% RH	
Protection Level	IP66, IK10 optional			
Dimensions	$\Phi 186\text{mm} \times 234\text{mm}$		$\Phi 170\text{mm} \times 155\text{mm}$	
Weight	2KG		1.5KG	

Dahua Technology Co., Ltd.

1187 BinAn Road, Binjiang District, Hangzhou, China

Tel: +86-571-87688883

Fax: +86-571-87688815

Email: overseas@dahuatech.com

www.dahuatech.com

*Design and specifications are subject to change without notice.

© 2012 Dahua Technology Co., Ltd.