

# DHI-ITC602-RF1A-IR

## ITS Special 6 Mega HD Intelligent Camera



### Order Information

DHI-ITC602-RF1A-IR

### Features

- TI DaVinci high-performance DSP
- Adopt 1" high performance CCD image sensor, high color reducibility, high sensitivity
- Adopt H.264 standard HD video format and 25fps HD video frame rate
- Embedded integration component design, built-in a variety of algorithms, such as License Plate Recognition, Color Recognition, Velocity Measurement by video and so on
- Adopt high performance Image Signal Processing (ISP)
- A variety of signals, data and communication interface
- Precise synchronization signal input and output control

### Technical Specifications

|         | Model                      | ITC602-RF1A-IR   |
|---------|----------------------------|--|
| General | Image Sensor               | Sony 1 progressive CCD   |
|         | Target Size                | 12.516mm (H) ×7.41mm (V)   |
|         | Sensor Size                | 3.69 μm (H) ×3.69 μm (V)   |
|         | HD Image Resolution        | 6.8MP, 3392 (H) ×2008 (V)  |
|         | Camera Speed Shutter       | 1/25~1/100000  |
|         | Day/Night Cut              | Auto(ICR)/Color/B/W  |
|         | Noise Reduction            | 3D   |
|         | DWDR                       | 64dB   |
|         | Smear Inhibition           | Support  |
|         | Defect Correction          | Support  |
|         | Exposure Mode              | Support automatic; Custom range automatically; Custom                              |
|         | White Balance              | Support automatic; Color temperature range automatically; Custom color temperature |
|         | Holographic double shutter | Support  |
| Lens    | Lens Mount                 | C Model  |
|         | Diaphragm control          | Automatic control (P-IRIS drive)   |
|         | Video Signal interface     | 1 CVBS port or HD-SDI port   |
|         | Compression                | H.264H、H.264M、H.264B、MJPEG   |
|         | Video Frame                | 25fps  |

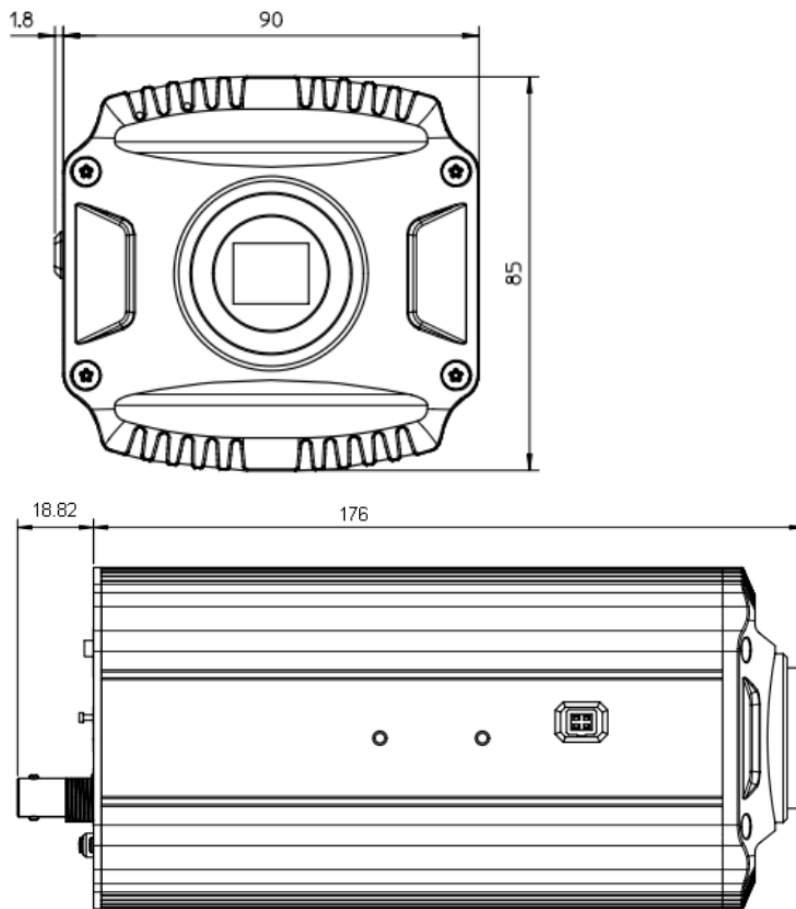
# DHI-ITC602-RF1A-IR

|                            |   |  |
|----------------------------|---|--|
|                            | Video Resolution  | 3392×2008、1600×1200、1280×720、D1、CIF  |
|                            | Dual Stream   | Support  |
| <b>Trigger Mode</b>        | I/O loop trigger  | Support  |
|                            | RS485 loop trigger  | Support  |
|                            | Radar trigger   | Support  |
|                            | Video detection   | Support  |
| <b>Function</b>            | Edge enhancement  | Support  |
|                            | Multi-channel blending                                      | Support  |
|                            | license plate recognition                                   | Support  |
|                            | Red Light Enforcement                                       | Support  |
|                            | Rotate function   | Support  |
|                            | Violation image synthesis                                   | Support  |
|                            | SD Card storage   | Support  |
|                            | Remote control  | Configure through WEB client   |
|                            | OSD   | Information of the picture includes time and place (channel address), lane information (number,/direction), plate information(license plate and color), vehicle information (speed, vehicle length, body color and the type of vehicle), violation (violation event name and the illegal code) and so on |
| Image records tamper-proof | Support, Video/Image with watermark tech and check function |  |
| <b>Interface</b>           | Network interface   | 2, 100/1000M Ethernet port   |
|                            | Fiber interface   | 1  |
|                            | USB interface   | 2,Mini USB   |
|                            | SD interface  | 1  |
|                            | RS485 interface   | 2, used to connect vehicle detector or signal detector   |
|                            | RS232 interface   | 4, used to debug serial port or connect radar  |
|                            | Flash lamp or LED strobe light synchronization              | 7, Opt coupler signal output, frequency can be set   |
|                            | External frequency synchronization                          | Support (12~36Vp-p or AC12~24V)  |
|                            | Alarm/wiper output  | 2, Relay output  |
|                            | Alarm input   | 1, optical coupling input (switch)   |
|                            | I/O loop input  | 8, optical coupling input (switch)   |
|                            | DC 5V   | Output 500mA   |
| <b>Work Environment</b>    | Power supply  | DC12V  |
|                            | External power synchronization                              | Support, Sync phase support fine-tuning  |
|                            | Power Consumption   | <15W(without Adapter )   |
|                            | Operating temperature                                       | - 40℃ ~ + 80℃  |
|                            | Operating humidity  | 10%~90%  |
|                            | Dimension   | 176mm×96mm×85mm  |
|                            | Weight  | 1.3kg  |

# DHI-ITC602-RF1A-IR

---

## Dimensions(mm)



### Dahua Technology Co., Ltd.

1187BinAn Road, Binjiang District, Hangzhou, China Tel:

+86-571-87688883

Fax: +86-571-87688815

Email:overseas@dahuatech.com www.dahuatech.com

\*Design and specifications are subject to change without notice.  
© 2015Dahua Technology Co., Ltd.