

## DH-IPC-HDB5100

### 1.3Megapixel Water-Proof & Vandal-Proof Network Dome Camera



#### Features

- 1/3" 1.3Megapixel progressive scan Aptina CMOS
- H.264 & MJPEG dual-stream encoding
- Max 25/30fps@1.3M(1280×960)
- DWDR, Day/Night(ICR), 3DNR, Auto iris, AWB, AGC, BLC
- Multiple network monitoring: Web viewer, CMS(DSS/PSS) & DMSS
- 2.7~9mm varifocal lens
- Built-in 1/1 alarm in/out
- Micro SD memory, IP66, IK10, PoE

# DH-IPC-HDB5100

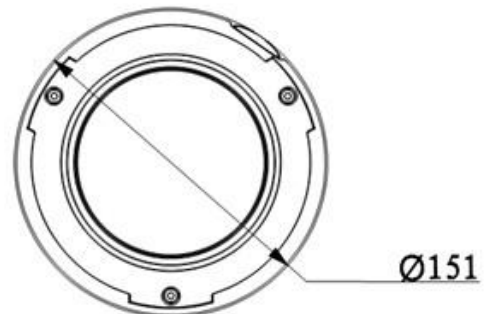
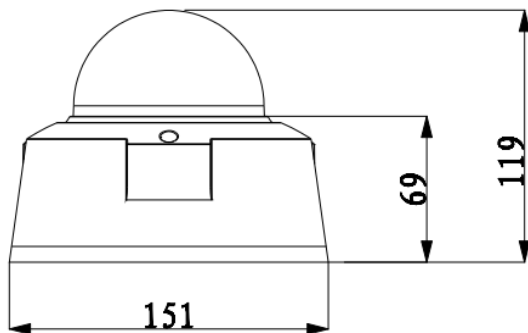
## Technical Specifications

Model	DH-IPC-HDB5100P		DH-IPC-HDB5100N	
<b>Camera</b>				
Image Sensor	1/3" 1.3Megapixel Aptina CMOS			
Effective Pixels	1280(H)x960(V)			
Scanning System	Progressive			
Electronic Shutter Speed	Auto/Manual 1/3~1/10000		Auto/Manual 1/4~1/10000	
Min. Illumination	0.05lux/F1.4(color), 0.005lux/F1.4 (B/W)			
S/N Ratio	More than 50db			
Video Output	1 channel BNC(1.0Vp-p, 75Ω)			
<b>Camera Features</b>				
Max. IR LEDs Length	N/A			
Day/Night	Auto(ICR)/Color/B/W			
Backlight Compensation	Off/BLC/HLC/DWDR			
White Balance	Auto/Manual			
Gain Control	Auto/Manual			
Noise Reduction	3D			
Privacy Masking	Up to 4 areas			
<b>Lens</b>				
Focal Length	2.7~9mm			
Max Aperture	F1.4			
Focus Control	Manual			
Angle of View	H: 101°(Wide)~30.4°(Tele)			
Lens Type	Manual/Auto Iris (DC)			
Mount Type	Board-in Type			
<b>Video</b>				
Compression	H.264/ MJPEG			
Resolution	1.3M(1280×960)/ D1(704×576)		1.3M(1280×960) / D1(704×480)	
Frame Rate	Main Stream	1.3M (1 ~ 25/30fps)		
	Sub Stream	D1(1 ~ 25/30fps)		
Bit Rate	H.264: 16K ~ 8192Kbps			
<b>Audio</b>				
Compression	G.711a/G.711u(64kbps)/PCM(128kbps)			
Interface	1/1 channel In/Out			
<b>Network</b>				
Ethernet	RJ-45 (10/100Base-T)			
Wi-Fi	N/A			
Protocol	IPv4/IPv6, HTTP, HTTPS, SSL, TCP/IP, UDP, UPnP, ICMP, IGMP, SNMP, RTSP, RTP, SMTP, NTP, DHCP, DNS, PPPOE, DDNS, FTP, IP Filter, QoS, Bonjour			
ONVIF	ONVIF Profile S			
Max. User Access	20 users			

## DH-IPC-HDB5100



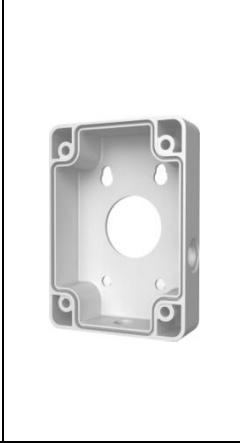
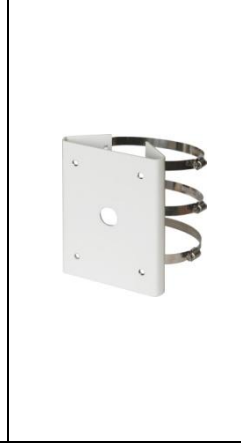
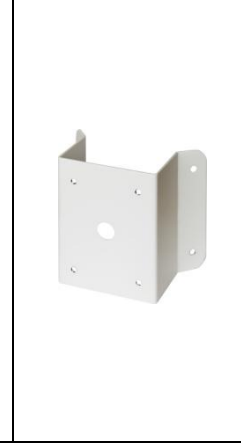
Smart Phone	iPhone, iPad, Android, Windows Phone
<b>Auxiliary Interface</b>	
Memory Slot	Micro SD, Max 32GB
RS485	N/A
Alarm	1/1 channel In/Out
PIR Sensor Range	N/A
<b>General</b>	
Power Supply	AC24V/DC12V, PoE(802.3af)
Power Consumption	<3W
Working Environment	-20°C~+60°C, Less than 90% RH
Ingress Protection	IK10
Vandal Resistance	IP66
Dimensions	Φ151mm×119mm
Weight	1.25kg

### Dimensions (mm)



## DH-IPC-HDB5100

### Accessories (optional)

				
PFA100	PFB300S	PFA120	DH-65FQ	DH-65FW

---

#### Dahua Technology Co., Ltd.

1187 BinAn Road, Binjiang District, Hangzhou, China

Tel: +86-571-87688883

Fax: +86-571-87688815

Email: [overseas@dahuatech.com](mailto:overseas@dahuatech.com)

[www.dahuatechsecurity.com](http://www.dahuatechsecurity.com)

\*Design and specifications are subject to change without notice.

© 2013 Dahua Technology Co., Ltd.