

DH-SD6A220/230-HS

2Megapixel Full HD HD-SDI IR PTZ Dome Camera



Features

- 1/3" 2Megapixel progressive scan Exmor CMOS
- 4.7mm ~ 94mm(20x)optical zoom(220)
4.3mm ~ 129mm(30x)optical zoom(230)
- Standard HD-SDI high definition digital interface (SMPT274/292)
- 25/30fps@1080P, 25/30/50/60fps@720P
- DWDR, Day/Night(ICR), DNR (2D&3D),Auto iris, Auto focus, AWB, AGC,BLC
- Max 240°/s pan speed, 360° endless pan rotation
- Up to 255 presets, 5 auto scan, 8 tour, 5 pattern
- Built-in 7/2 alarm in/out
- Support intelligent 3D positioning with DH-SD protocol
- IP66
- IR Distance up to 150m

DH-SD6A220/230-HS

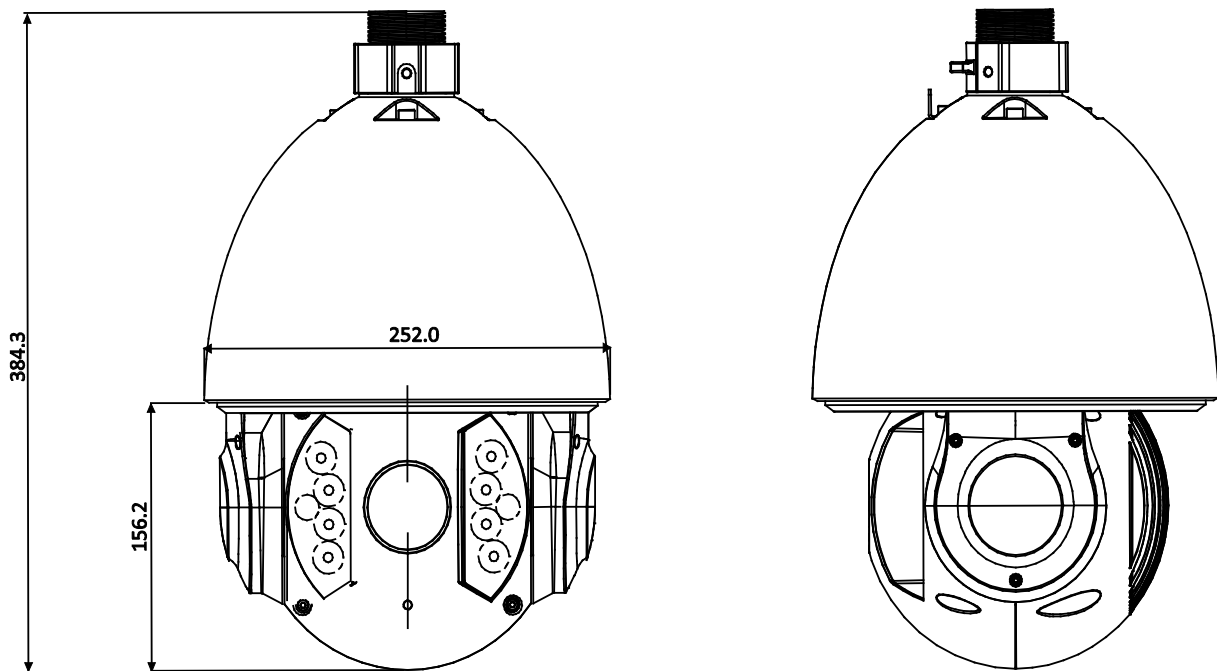
Technical Specifications

Model	HD-SD6A220-HS	HD-SD6A230-HS
Camera		
Image Sensor	1/3" Exmor CMOS	
Effective Pixels	1944(H) x 1092(V), 2 Megapixels	
Scanning System	Progressive	
Electronic Shutter Speed	1/1 ~ 1/30,000s	
Min. Illumination	Color: 0.05Lux@F1.6, B/W: 0.005Lux@F1.6	
S/N Ratio	More than 50dB	
Video Output	BNC(1.0Vp-p/75Ω), PAL / NTSC	
Resolution	1080p(25/30fps), 720p(25/30/50/60fps)	
HD-SDI Video Output	1ch HD-SDI high -definition video (SMPTE 292M standard)	
Camera Features		
Day/Night	Auto(ICR) / Color / B/W	
Backlight Compensation	BLC / HLC / DWDR (Digital WDR)	
White Balance	Auto, ATW, Indoor, Outdoor, Manual	
Gain Control	Auto / Manual	
Noise Reduction	2D / 3D	
Privacy Masking	Up to 24 areas	
Digital Zoom	16x	
Defog	On / Off	
Lens		
Focal Length	4.7mm ~ 94mm (20x Optical zoom)	4.3mm ~ 129mm (30x Optical zoom)
Max Aperture	F1.6 ~ F3.5	F1.6 ~ F5.0
Focus Control	Auto / Manual	
Angle of View	H: 55.4°~ 2.9°	H: 65.1°~ 2.34°
Close Focus Distance	10mm ~ 1000mm	10mm ~ 1200mm
PTZ		
Pan/Tilt Range	Pan: 0° ~ 360° endless; Tilt: -10° ~ 90°, auto flip 180°	
Manual Control Speed	Pan: 0.1° ~ 200°/s; Tilt: 0.1° ~ 120°/s	
Preset Speed	Pan: 240°/s; Tilt: 200°/s	
Preset	80(DH-SD), 255(Pelco-P/D)	
PTZ Mode	5 Pattern, 8 Tour, Auto Pan, Auto Scan	
Speed Setup	Human-oriented focal length/ speed adaptation	
Power up Action	Auto restore to previous PTZ and lens status after power failure	
Idle Motion	Activate Preset/Pan/Scan/Tour/Pattern if there is no command in the specified period	
Time Task	Auto activation of Preset/Pan/Scan/Tour/Pattern by preset-time	
Protocol	DH-SD, Pelco-P/D (Auto recognition)	
IR Distance	150m (2 near IR LED+ 8 far IR LED)	
Auxiliary Interface		

DH-SD6A220/230-HS

RS485	1 port
Alarm	7/2 channel In/Out
General	
Power Supply	AC 24V/3A ($\pm 16\%$)
Power Consumption	20W, 43W (IR on, Heater on)
Working Environment	-40°C ~ 70°C / Less than 90% RH
Ingress Protection	IP66
Dimensions	$\Phi 252(\text{mm}) \times 384.3(\text{mm})$
Weight	6.75kg

Dimensions (mm)



DH-SD6A220/230-HS

Accessories

		
DH-69FB	DH-PFA110	Power Supply

Accessories (Optional)

			
DH-PFB300C	DH-PFB301C	DH-PFA112	DH-PFA113
			
DH-PFB301S	DH-PFA120	DH-PFA150	DH-PFA151

Dahua Technology Co., Ltd.

1187 BinAn Road, Binjiang District, Hangzhou, China

Tel: +86-571-87688883

Fax: +86-571-87688815

Email: overseas@dahuatech.com

www.dahuasecurity.com

*Design and specifications are subject to change without notice.

© 2013 Dahua Technology