

DH-SD6C120S-HN

1.3Mp HD Cost-effective Network IR PTZ Dome Camera



Features

- 20x optical zoom
- H.264 & MJPEG dual-stream encoding
- Max. 25/30fps@1.3M(1280×960) & 720P resolution
- DWDR, Day/Night(ICR), Ultra DNR, Auto iris, Auto focus
- Multiple network monitoring: Web viewer, CMS(DSS/PSS) & DMSS
- Max 240°/s pan speed, 360° endless pan rotation
- Up to 255 presets, 5 auto scan, 8 tour, 5 pattern
- Built-in 2/1 alarm in/out
- Support intelligent 3D positioning with DH-SD protocol
- Micro SD memory, IP66
- IR Distance up to 100m

DH-SD6C120S-HN

Technical Specifications

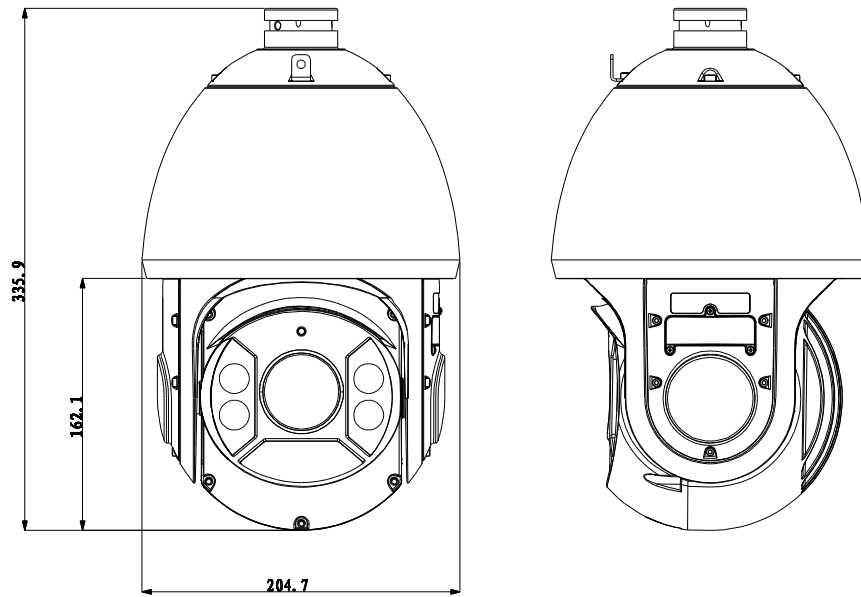
Model	DH-SD6C120S-HN	
Camera		
Image Sensor	1/3" Exmor CMOS	
Effective Pixels	1280(H) x 960(V)	
Scanning System	Progressive	
Electronic Shutter Speed	1/1 ~ 1/30,000s	
Min. Illumination	Color: 0.05Lux@F1.4; B/W: 0.005Lux@F1.4	
S/N Ratio	More than 50dB	
Video Output	BNC(1.0Vp-p/75Ω), PAL / NTSC	
Camera Features		
Day/Night	Auto(ICR) / Color / B/W	
Backlight Compensation	BLC / HLC / DWDR (Digital WDR)	
White Balance	Auto, ATW, Indoor, Outdoor, Manual	
Gain Control	Auto / Manual	
Noise Reduction	Ultra DNR (2D/3D)	
Privacy Masking	Up to 24 areas	
Digital Zoom	16x	
Lens		
Focal Length	4.7mm~94mm(20x Optical zoom)	
Max Aperture	F1.4 ~ F2.6	
Focus Control	Auto / Manual	
Angle of View	H: 54.1° ~ 3.2°	
Close Focus Distance	100mm~ 1000mm	
PTZ		
Pan/Tilt Range	Pan: 0° ~ 360° endless; Tilt: -15° ~ 90°, auto flip 180°	
Manual Control Speed	Pan: 0.1° ~160° /s; Tilt: 0.1° ~120° /s	
Preset Speed	Pan: 240° /s; Tilt: 200° /s	
Preset	80(DH-SD), 255(Pelco-P/D)	
PTZ Mode	5 Pattern, 8 Tour, Auto Pan, Auto Scan	
Speed Setup	Human-oriented focal length/ speed adaptation	
Power up Action	Auto restore to previous PTZ and lens status after power failure	
Idle Motion	Activate Preset/ Pan/ Scan/ Tour/ Pattern if there is no command in the specified period	
Protocol	DH-SD, Pelco-P/D (Auto recognition)	
IR Distance	100m (2 near IR LED+ 4 far IR LED)	
Video		
Compression	H.264 / MJPEG	
Resolution	1.3M(1280×960) / 720P(1280×720) / D1(704×576/ 704×480) /CIF (352×288/352×240)	
Frame Rate	Main Stream	1.3M/ 720P (1 ~ 25/30fps)

DH-SD6C120S-HN




	Sub Stream	D1/CIF(1 ~ 25/30fps)
Bit Rate		H.264: 448K ~ 8192Kbps, MJPEG: 5120K ~ 10240Kbps
Audio		
Compression		G.711a / G.711u(32kbps)/ PCM(128kbps)
Interface		1/1 channel In/Out
Network		
Ethernet		RJ-45 (10/100Base-T)
Protocol		IPv4/ IPv6, HTTP, HTTPS, SSL, TCP/IP, UDP, UPnP, ICMP, IGMP, SNMP, RTSP, RTP, SMTP, NTP, DHCP, DNS, PPPOE, DDNS, FTP, IP Filter, QoS, Bonjour, 802.1x
Compatibility		ONVIF PSIA CGI
Max. User Access		20 users
Smart Phone		iPhone, iPad, Android, Windows Phone
Auxiliary Interface		
Memory Slot		Micro SD, Max 64GB
RS485		1
Alarm		2/1 channel In/Out
General		
Power Supply		AC 24V/3A (±10%)
Power Consumption		10.5W, 26W (IR on, Heater on)
Working Environment		-40°C ~ 60°C / Less than 90% RH
Ingress Protection		IP66
Dimensions		Φ204.7(mm) x 359.9(mm)
Weight		7.8kg

DH-SD6C120S-HN

Dimensions (mm)









Accessories

		
DH-PFB303W	DH-PFA111	Power Supply

DH-SD6C120S-HN

Accessories (Optional)

					
PFB300C	PFA112	PFA113	PFA120	PFA150	PFA151

Dahua Technology Co., Ltd.

1199 BinAn Road, Binjiang District, Hangzhou, China

Tel: +86-571-87688883

Fax: +86-571-87688815

Email: overseas@dahuatech.com

www.dahuasecurity.com

*Design and specifications are subject to change without notice.

© 2014 Dahua Technology