

## DH-SD6523/30/36/70-H

### 23x/30x/36x Quick-installation PTZ Dome Camera

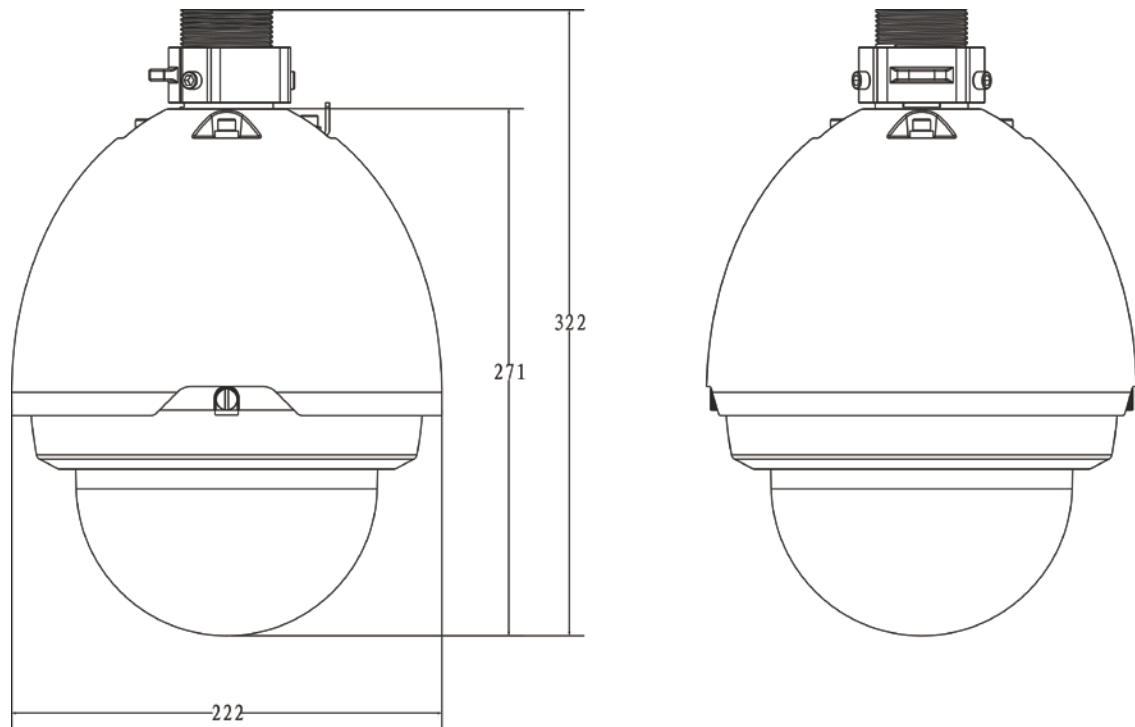


#### Features

- Powerful 23x/30x/36x optical zoom
- High resolution@700TVL/600TVL
- DWDR, Day/Night (ICR), DNR (2D&3D), Auto iris, Auto focus, AWB, AGC, BLC
- Max 400 °/s pan speed, 360° continuous pan rotation
- Up to 255 presets, 5 auto scan, 8 tour, 5 pattern
- Built-in 7/2 alarm in/out
- Support intelligent 3D positioning with DH-SD protocol
- IP67, easy-installation

## DH-SD6523/30/36/70-H

### Dimensions (mm)



# DH-SD6523/30/36/70-H

## Technical Specifications

Model	DH-SD6523-H	DH-SD6530-H	DH-SD6536-H	DH-SD6570-H
<b>Camera</b>				
Image Sensor	1/4" Super HAD CCD II			1/3" EXview HAD CCD II
Effective Pixels	752(H) × 582(V) / 768 (H) × 494(V)			976(H) × 582(V) / 976(H) × 494(V)
Horizontal Resolution	Color: 600TVL; B/W: 650TVL			Color: 700TVL B/W: 750TVL
Scanning System	Interlacing			
Electronic Shutter Speed	1/1s ~1/100,000s			
Min. Illumination	Color: 0.01 Lux/F1.6 B/W: 0.001Lux/F1.6			Color: 0.001Lux/F1.6 B/W: 0.0001Lux/F1.6
S/N Ratio	More than 50dB			
Video Output	BNC(1.0Vp-p/75Ω), PAL / NTSC			
<b>Camera Features</b>				
Day/Night	Auto(ICR) / Color / B/W			
Backlight Compensation	BLC / HLC / DWDR (Digital WDR)			
White Balance	Auto, ATW, Indoor, Outdoor, Manual			
Gain Control	Auto / Manual			
Noise Reduction	2D / 3D			
Privacy Masking	Up to 24 areas			
Digital Zoom	16x			
<b>Lens</b>				
Focal Length	3.9mm~89.7mm (23x Optical zoom)	3.4mm~102mm (30x Optical zoom)	3.4mm~122.4mm (36x Optical zoom)	3.9mm ~ 89.7mm (23x Optical zoom)
Max Aperture	F1.6~ F3.7	F1.6~F4.5	F1.6~ F4.5	F1.6~ F2.7
Focus Control	Auto / Manual			
Angle of View	H: 61.68° ~ 3.06°	H: 57.58°~2.3°	H: 57.8°~1.7°	H: 57.58°~ 3.12°
Close Focus Distance	10mm~1000mm			
<b>PTZ</b>				
Pan/Tilt Range	Pan: 0° ~ 360° endless; Tilt: -2° ~ 90°, auto flip 180°			
Manual Control Speed	Pan: 0.1° ~ 300°/s; Tilt: 0.1° ~250°/s			
Preset Speed	Pan: 400°/s; Tilt: 300°/s			
Preset	80(DH-SD), 255(Pelco-P/D)			
PTZ Mode	5 Pattern, 8 Tour, Auto Pan, Auto Scan			
Speed Setup	Human-oriented focal length/ speed adaptation			
Power up Action	Auto restore to previous PTZ and lens status after power failure			
Idle Motion	Activate Preset/Pan/Scan/Tour/Pattern if there is no command in the specified period			

## DH-SD6523/30/36/70-H

Time Task	Auto activation of Preset/Pan/Scan/Tour/Pattern by preset-time
Protocol	DH-SD, Pelco-P/D (Auto recognition)
<b>Auxiliary Interface</b>	
RS485	1 port
Alarm	7/2 channel In/Out
<b>General</b>	
Power Supply	AC24V/3A ( $\pm 10\%$ ), DC12V optional
Power Consumption	15W, 25W(Heater on)
Working Environment	-40°C ~ 60°C / Less than 90% RH
Protection Level	IP67, IK10 optional
Dimensions	$\Phi 222(\text{mm}) \times 322(\text{mm})$
Weight	5.0kg

---

### Dahua Technology Co., Ltd.

1187 BinAn Road, Binjiang District, Hangzhou, China

Tel: +86-571-87688883

Fax: +86-571-87688815

Email: [overseas@dahuatech.com](mailto:overseas@dahuatech.com)

[www.dahuatech.com](http://www.dahuatech.com)

\*Design and specifications are subject to change without notice.

© 2012 Dahua Technology Co., Ltd.