

## DH-SD40/42/42C23-H

### 23x Mini PTZ Dome Camera



**SD4023-H**



**SD4223-H**



**SD42C23-H**

### Features

- Powerful 23x optical zoom
- High resolution@650TVL
- DWDR, Day/Night (ICR), DNR (2D&3D), Auto iris, Auto focus, AWB, AGC, BLC
- Max 300°/s pan speed, 360° continuous pan rotation
- Up to 255 presets, 5 auto scan, 8 tour, 5 pattern
- Built-in 2/1 alarm in/out
- Support intelligent 3D positioning with DH-SD protocol
- IP66

# DH-SD40/42/42C23-H

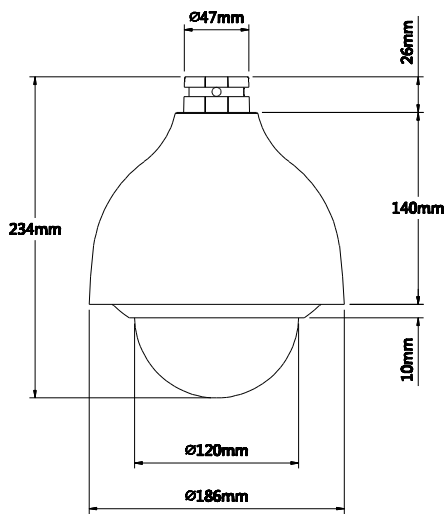
## Technical Specifications:

Model	DH-SD4023-H	DH-SD4223-H	DH-SD42C23-H
<b>Camera</b>			
Image Sensor	1/4" Super HAD CCD II		
Effective Pixels	752(H) × 582(V) / 768(H) × 494(V)		
Horizontal Resolution	Color: 650TVL; B/W: 700TVL		
Scanning System	Interlacing		
Electronic Shutter Speed	1/1s ~1/100,000s		
Min. Illumination	Color: 0.01 Lux/F1.6, B/W: 0.001Lux/F1.6		
S/N Ratio	More than 50dB		
Video Output	BNC(1.0Vp-p/75Ω), PAL / NTSC		
<b>Camera Features</b>			
Day/Night	Auto(ICR) / Color / B/W		
Backlight Compensation	BLC / HLC / DWDR (Digital WDR)		
White Balance	Auto, ATW, Indoor, Outdoor, Manual		
Gain Control	Auto / Manual		
Noise Reduction	2D / 3D		
Privacy Masking	Up to 24 areas		
Digital Zoom	16x		
<b>Lens</b>			
Focal Length	3.9 mm~89.7mm (23x Optical zoom)		
Max Aperture	F1.6~ F3.7		
Focus Control	Auto / Manual		
Angle of View	61.68° ~ 3.06°		
Close Focus Distance	10mm~1000mm		
<b>PTZ</b>			
Pan/Tilt Range	Pan: 0° ~ 360° endless; Tilt: 0° ~ 90°, auto flip 180°		
Manual Control Speed	Pan: 0.1° ~ 250°/s; Tilt: 0.1° ~150°/s		
Preset Speed	Pan: 300°/s; Tilt:200°/s		
Preset	80(DH-SD) , 255(Pelco-P/D)		
PTZ Mode	5 Pattern, 8 Tour, 5 Auto Scan, Auto Pan		
Speed Setup	Human-oriented focal length/ speed adaptation		
Power up Action	Auto restore to previous PTZ and lens status after power failure		
Idle Motion	Activate Preset/Pan/Scan/Tour/Pattern if there is no command in the specified period		
Time Task	Auto activation of Preset/Pan/Scan/Tour/Pattern by preset-time		
Protocol	DH-SD, Pelco-P/D (Auto recognition)		
<b>Auxiliary Interface</b>			
RS485	1 port		
Alarm	2/1 channel In/Out		

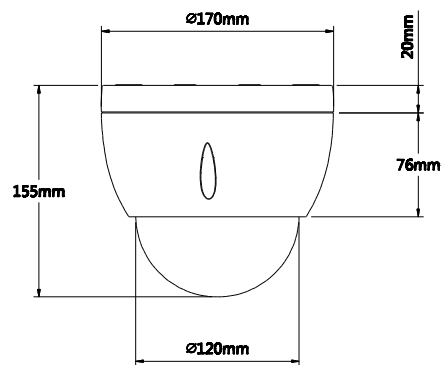
# DH-SD40/42/42C23-H

General		
Power Supply	AC24V/1.5A (±10%), DC12V optional	
Power Consumption	12W, 27W(Heater on)	12W
Working Environment	-40°C ~ 60°C / Less than 90% RH	-10°C ~ 55°C / Less than 90% RH
Ingress Protection	IP66	
Vandal Resistance	IK10(optional)	
Dimensions	Φ186mm×234mm	
Weight	2KG	

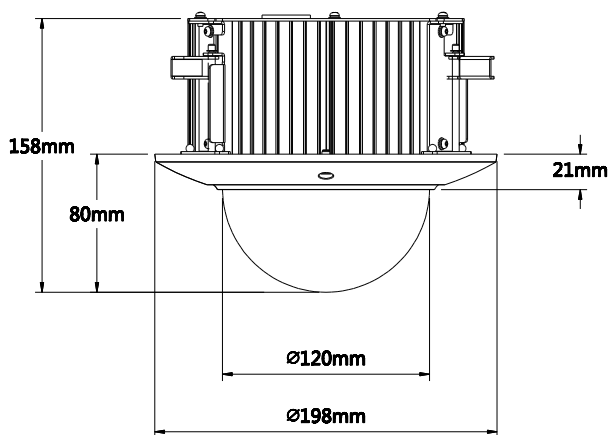
## Dimensions (mm)



SD4023-H



SD4223-H



SD42C23-H

# DH-SD40/42/42C23-H

## Accessories





### SD4023-H

		
DH-PFB300S	DH-PFA110	Power Supply

## Accessories (Optional)

### SD4023-H

			
DH-PFB300C	DH-PFB301C	DH-PFA112	DH-PFA113

			
DH-PFB301S	DH-PFA120	DH-PFA150	DH-PFA151

### SD4223-H

## DH-SD40/42/42C23-H

			
DH-PFB300S	DH-PFB300C	DH-PFA102	DH-PFA112
			
DH-PFA113	DH-PFA120	DH-PFA150	DH-PFA151

---

**Dahua Technology Co., Ltd.**

1187 BinAn Road, Binjiang District, Hangzhou, China

Tel: +86-571-87688883

Fax: +86-571-87688815

Email: [overseas@dahuatech.com](mailto:overseas@dahuatech.com)

[www.dahuatech.com](http://www.dahuatech.com)

\*Design and specifications are subject to change without notice.

© 2013 Dahua Technology Co., Ltd.