

ITS Special 2Mega HD Intelligent Camera



Ordering Information

DH-ITC203-GVRB3A-H

Features

- > TI DaVinci high-performance DSP
- > Adopt high performance CCD image sensor, high color reducibility, high sensitivity
- > Adopt high performance Image Signal Processing (ISP)
- > A variety of signals, data and communication interface
- > Precise synchronization signal input and output control
- > Innovative professional intelligent transportation business concept and implementation
- > Embedded integration component design (trigger detection, behavioral analysis and identification)
- > Improve the low-power integrated structural design

Specifications

Model		DH-ITC203-GVRB3A-H
General	Resolution	2 Megara, 1600(H)*1200(V)
	Image Sensor	1/1.5"(11.0mm) progressive CCD, Target Size:8.80mm(H)x6.60mm(V)
	Sensor pixel size	5.5 μm (H) × 5.5 μm (V)
	Dynamic range	64dB
	Image Compress Mode	JPEG
	HD Video Format	H.264 standard, main profile 5.0
	HD Image Resolution	1600*1264
	HD Video Resolution	1600*1200
	HD Video Frame Rate	50fps
	Camera Speed Shutter	1/50~1/100000

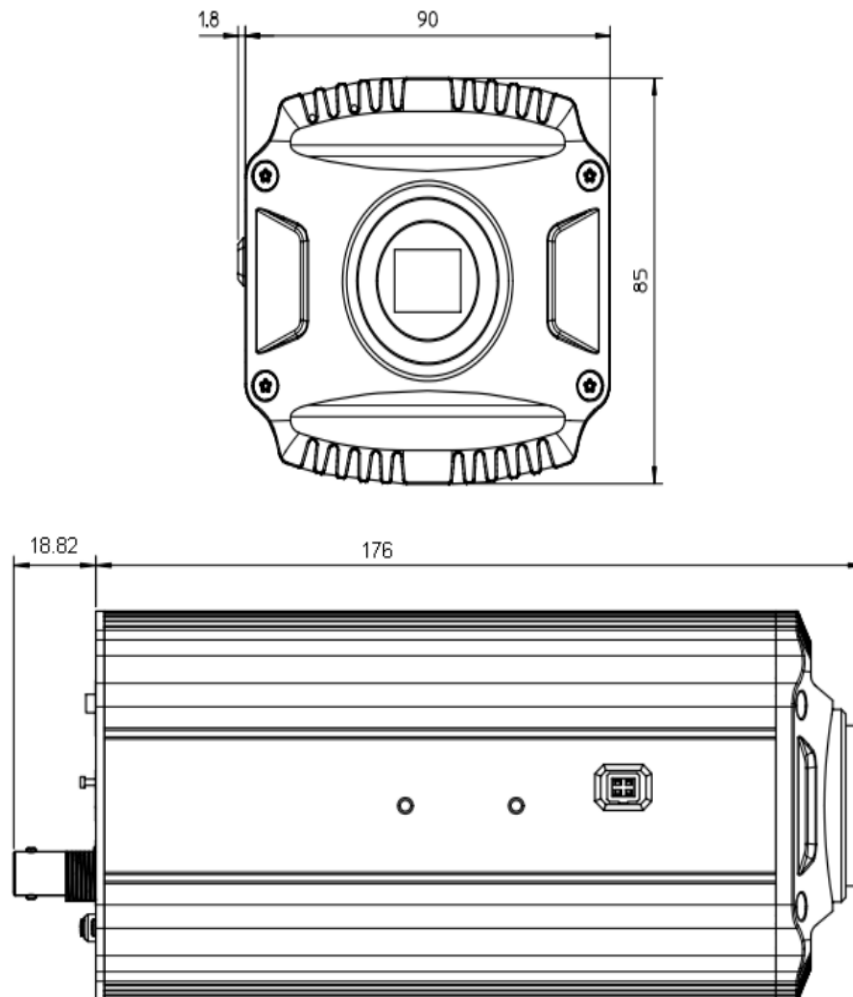
DH-ITC203-GVRB3A-H

Image preprocessing	Smear Suppression	Support
	Multi-channel Integration	Support
	Edge Enhancement	Support
	Dead Pixel Correction	Support
	Automatic Noise Reduction	Support(3D Noise Reduction)
	Auto Exposure(AE)	Support(Fully auto/ Custom interval auto/Custom)
	Auto White Balance(AWB)	Support(Fully auto/ color temperature range auto/Custom)
	Holographic Dual-shutter	Support (All image and videos ISC parameters)
	Day/Night	Support (All image and videos ISC parameters)
Interface	Loop I/O input	6 loop, optocoupler input (switch)
	Alarm Input	1 loop, optocoupler input (switch)
	Alarm Output	1 loop, relay output
	Wiper controller output	1 loop, relay output
	External frequency source synchronous input	1 loop,(Select the external synchronization option take effect automatically)
	LED Light Synchronization Interface	1 loop, Frequency can be set
	Flash Lamp Synchronization Interface	5 loop, Optocoupler signal output
	Video signal interface	1 CVBS/HD-SDI port(support Special features version)
	Network interface	1 110/100M Ethernet port
	Data interface	1 RS232 serial port,3 Radar serial(RS232),serial port, 1 Vehicle inspection / signal detector port(RS485)
	Auto Iris	Support(DC Auto)
	Lens Interface	C
	Loop Trigger	Support
	Radar Trigger	Support
	Video Detection Trigger	Support
Special Function	License Plate Recognition	Support
	SD Card Storage	Support
	Remote Control Function	Support, through Web client config and control
	OSD information superimposed	Support, Information of the picture include time and place (channel address), Lane information (number,/direction), plate information(license plate and color), vehicle information (speed, vehicle length, body color and the type of vehicle), Illegal (illegal event name and the illegal code) and so on.
	Image Records Tamper-resistance	Support, Video/Image with watermark tech and check function
Environmental	Power Supply	AC24V
	External Power Synchronization Function	Support, Sync phase support fine-tuning
	External Frequency Synchronization Function	Support, Sync phase support fine-tuning

DH-ITC203-GVRB3A-H

	Average Power Consumption	<15W (without Adapter)
	Operating Environment	Temperature-30°C~+70°C, humidity10%~90%
	Dimension	176mm×90mm×85mm(W×D×H)
	Weight	1.3 Kg

Dimensions (mm)



DH-ITC203-GVRB3A-H

1187BinAn Road, Binjiang District, Hangzhou, China

Tel: +86-571-87688883

Fax: +86-571-87688815

Email:overseas@dahuatech.com

www.dahuatech.com

*Design and specifications are subject to change without notice.