

DH-IPC-HFW4100S

1.3Megapixel HD Network Small IR-Bullet Camera



Features

- 1/3" 1.3Megapixel progressive scan Aptina CMOS
- H.264&MJPEG dual-stream encoding
- 25/30fps@1.3M(1280×960)&25/30fps@720P(1280×720)
- DWDR, Day/Night(ICR), 3DNR,AWB,AGC,BLC
- Multiple network monitoring: Web viewer, CMS(DSS/PSS) & DMSS
- 6mm fixed lens (3.6mm,8mm optional)
- Max. IR LEDs Length 30m
- IP66, PoE

DH-IPC-HFW4100S

Technical Specifications

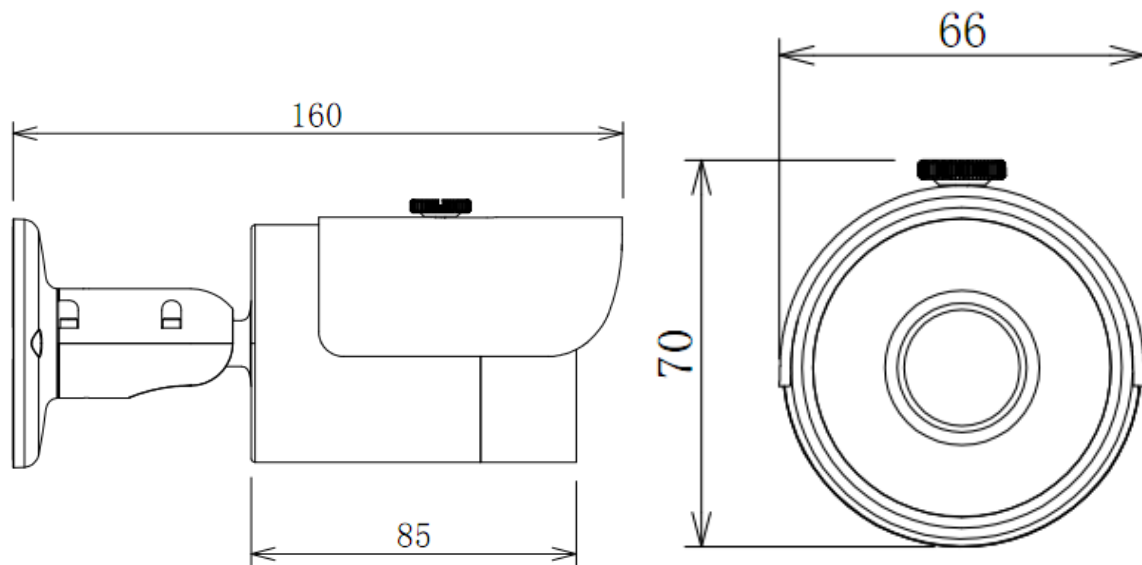
| Model | DH-IPC-HFW4100SP | DH-IPC-HFW4100SN |
|--------------------------|---|---|
| Camera | | |
| Image Sensor | 1/3" 1.3Megapixel Aptina CMOS | |
| Effective Pixels | 1280(H) × 960(V) | |
| Scanning System | Progressive | |
| Electronic Shutter Speed | Auto/Manual, 1/3~1/10000s | Auto/Manual, 1/4~1/10000s |
| Min. Illumination | 0.01Lux/F1.2 (Color), 0.005Lux/F1.2(B/W);0Lux/F1.2(IR on) | |
| S/N Ratio | > 50dB | |
| Video Output | N/A | |
| Camera Features | | |
| Max. IR LEDs Length | 30m | |
| Day/Night | Auto(ICR)/Color/B/W | |
| Backlight Compensation | BLC / HLC / DWDR | |
| White Balance | Auto/Manual | |
| Gain Control | Auto/Manual | |
| Noise Reduction | 3D | |
| Privacy Masking | Up to 4 areas | |
| Lens | | |
| Focal Length | 6mm (3.6mm,8mm) | |
| Max Aperture | F1.6 | |
| Focus Control | Manual | |
| Angle of View | H: 64.5°(90°/49°) | |
| Lens Type | Fixed lens | |
| Mount Type | Board-in Type | |
| Video | | |
| Compression | H.264/ MJPEG | |
| Resolution | 1.3M(1280x960)/720P(1280×720)/D1(704×576)/CIF(352×288) | 1.3M(1280x960)/720P(1280×720)/D1(704×480)/ CIF(352×240) |
| Frame Rate | Main Stream | 1.3M/720P(1 ~ 25/30fps) |
| | Sub Stream | D1/CIF(1 ~ 25/30fps) |
| Bit Rate | H.264: 32K ~ 8192Kbps | |
| Audio | | |
| Compression | N/A | |
| Interface | N/A | |
| Network | | |
| Ethernet | RJ-45 (10/100Base-T) | |
| Wi-Fi | N/A | |
| Protocol | IPv4/IPv6, HTTP, HTTPS, SSL, TCP/IP, UDP, UPnP, ICMP, IGMP, SNMP, RTSP, RTP, SMTP, NTP, DHCP, DNS, PPPOE, DDNS, FTP, IP Filter, QoS, Bonjour, | |
| ONVIF | ONVIF Profile S | |
| Max. User Access | 20 users | |

DH-IPC-HFW4100S

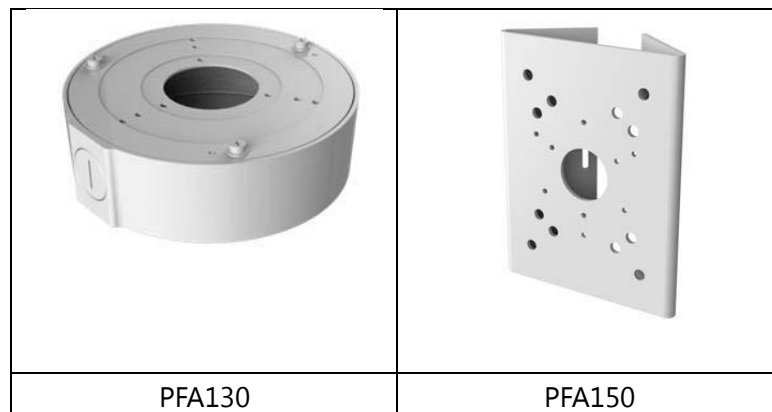
| | |
|----------------------------|--------------------------------------|
| Smart Phone | iPhone, iPad, Android, Windows Phone |
| Auxiliary Interface | |
| Memory Slot | N/A |
| RS485 | N/A |
| Alarm | N/A |
| PIR Sensor Range | N/A |
| General | |
| Power Supply | DC12V, PoE (802.3af) |
| Power Consumption | <5W |
| Working Environment | -20°C~+60°C, Less than 95% RH |
| Ingress Protection | IP66 |
| Vandal Resistance | N/A |
| Dimensions | 70mm×66mm×160mm |
| Weight | 0.5kg |

DH-IPC-HFW4100S

Dimensions (mm)



Accessory (optional)



Dahua Technology Co., Ltd.

1187BinAn Road, Binjiang District, Hangzhou, China

Tel: +86-571-87688883

Fax: +86-571-87688815

Email:overseas@dahuatech.com

www.dahuatech.com

*Design and specifications are subject to change without notice.

© 2013 Dahua Technology Co., Ltd.