

DH-IPC-HFW1100/1105

1Megapixel HD Network Small IR-Bullet Camera



Features

- 1/4" 1Megapixel progressive scan CMOS
- H.264&MJPEG dual-stream encoding
- Max 25/30fps@720P(1280×720)
- DWDR, Day/Night(ICR), 3DNR,AWB,AGC,BLC
- Multiple network monitoring: Web viewer, CMS(DSS/PSS) & DMSS
- 3.6mm fixed lens (6mm optional)
- Max. IR LEDs Length 20m
- IP66, PoE

DH-IPC-HFW1100/1105

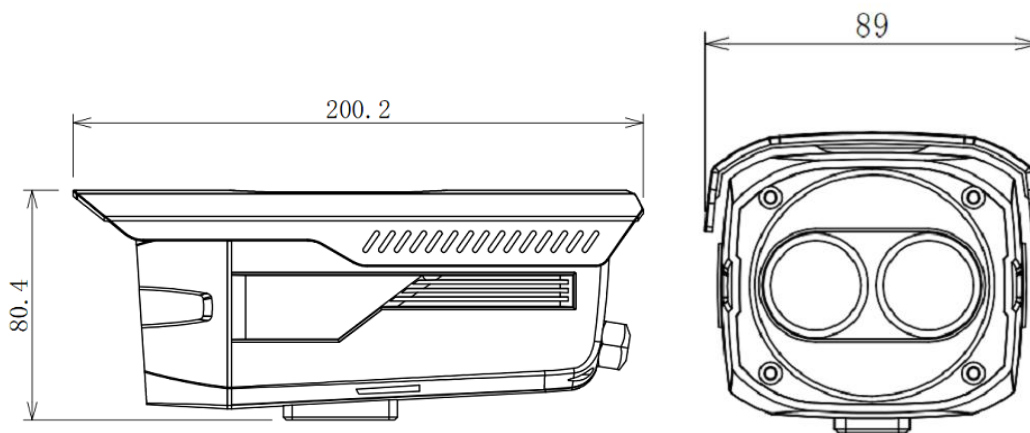
Technical Specifications

Model	DH-IPC-HFW1100		DH-IPC-HFW1105
Camera			
Image Sensor	1/4" 1Megapixel progressive scanCMOS		
Effective Pixels	1280(H)×720(V)		
Scanning System	Progressive		
Electronic Shutter Speed	Auto/Manual, 1/3(4)~1/10000s		
Min. Illumination	0. 1Lux/F1.2 (Color), 0.01Lux/F1.2(B/W);0Lux/F1.2(IR on)		
S/N Ratio	More than 50dB		
Video Output	N/A		
Camera Features			
Max. IR LEDs Length	20m		
Day/Night	Auto(ICR)/Color/B/W		
Backlight Compensation	BLC / HLC / DWDR		
White Balance	Auto/Manual		
Gain Control	Auto/Manual		
Noise Reduction	3D		
Privacy Masking	Up to 4 areas		
Lens			
Focal Length	3.6mm (6mm optional)		
Max Aperture	F1.6		
Focus Control	Manual		
Angle of View	H: 70°(48°)		
Lens Type	Fixed lens		
Mount Type	M12		
Video			
Compression	H.264/MJPEG		
Resolution	720P(1280×720)/D1(704×576/704×480)/CIF(352×288/352×240)		
Frame Rate	Main Stream	720P(1 ~ 25/30fps)	
	Sub Stream	D1/CIF(1~25/30fps)	
Bit Rate	H.264: 16K ~ 8192Kbps		
Audio			
Compression	N/A		
Interface	N/A		
Network			
Ethernet	RJ-45 (10/100Base-T)		
Wi-Fi	N/A		
Protocol	IPv4/IPv6, HTTP, HTTPS, SSL, TCP/IP, UDP, UPnP, ICMP, IGMP, SNMP, RTSP, RTP, SMTP, NTP, DHCP, DNS, PPPOE, DDNS, FTP, IP Filter, QoS, Bonjour,		
ONVIF	ONVIF Profile S		
Max. User Access	20 users		
Smart Phone	iPhone, iPad, Android, Windows Phone		



DH-IPC-HFW1100/1105

Auxiliary Interface		
Memory Slot	N/A	
RS485	N/A	
Alarm	N/A	
PIR Sensor Range	N/A	
General		
Power Supply	DC12V,PoE (802.3af)	DC12V
Power Consumption	<4W	<3.5W
Working Environment	-30°C~+60°C, Less than 95% RH	
Ingress Protection	IP66	
Vandal Resistance	N/A	
Dimensions	Φ89mm×80.4mm×200.2mm	
Weight	0.59kg	0.39kg

Dimensions (mm)



Accessories (optional)

	
PFB120W	PFB121W

DH-IPC-HFW1100/1105

Dahua Technology Co., Ltd.

1187BinAn Road, Binjiang District, Hangzhou, China

Tel: +86-571-87688883

Fax: +86-571-87688815

Email: overseas@dahuatech.com

www.dahuatech.com

*Design and specifications are subject to change without notice.

© 2013Dahua Technology Co., Ltd.