

DH-IPC-HDB5100

1.3Megapixel Full HD Water-Proof & Vandal-Proof Network Dome Camera



Features

- 1/3" 1.3Megapixel progressive scan Aptina CMOS
- H.264 & MJPEG dual-stream encoding
- Max 25/30fps@1.3M(1280×960)
- DWDR, Day/Night(ICR), 3DNR, Auto iris, AWB, AGC, BLC
- Multiple network monitoring: Web viewer, CMS(DSS/PSS) & DMSS
- 2.7~9mm varifocal lens
- Built-in 1/1 alarm in/out
- Micro SD memory, IP66, IK10, PoE

DH-IPC-HDB5100

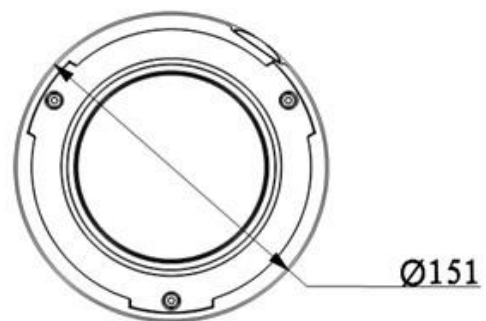
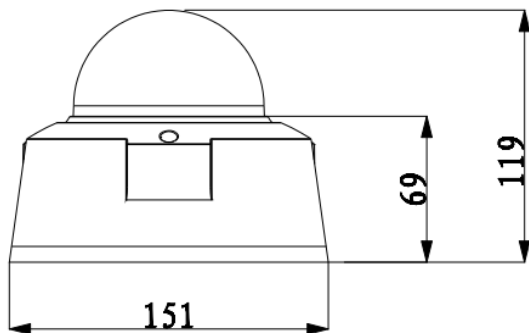
Technical Specifications

Model	DH-IPC-HDB5100	
Camera		
Image Sensor	1/3" 1.3Megapixel progressive scan CMOS	
Effective Pixels	1280(H)x960(V)	
Scanning System	Progressive	
Electronic Shutter Speed	Auto/Manual 1/3(4)~1/10000	
Min. Illumination	0.01lux/F1.4(color), 0.005lux/F1.4 (B/W)	
S/N Ratio	More than 50db	
Video Output	1 Port	
Camera Features		
Max. IR LEDs Length	N/A	
Day/Night	Auto(ICR)/Color/B/W	
Backlight Compensation	Off/BLC/HLC/DWDR	
White Balance	Auto/Manual	
Gain Control	Auto/Manual	
Noise Reduction	3D	
Privacy Masking	Up to 4 areas	
Lens		
Focal Length	2.7~9mm	
Max Aperture	F1.2	
Focus Control	Manual	
Angle of View	H: 101°(Wide)~30.4°(Tele)	
Lens Type	Manual/Auto Iris (DC)	
Mount Type	Board-in Type	
Video		
Compression	H.264/ MJPEG	
Resolution	1.3M(1280×960)/720P(1280×720)/ D1(704×576/704×480)	
Frame Rate	Main Stream	1.3M/720P (1 ~ 25/30fps)
	Sub Stream	D1(1 ~ 25/30fps)
Bit Rate	H.264: 16K ~ 8192Kbps	
Audio		
Compression	G.711a/ G.711u/ PCM	
Interface	1/1 channel In/Out	
Network		
Ethernet	RJ-45 (10/100Base-T)	
Wi-Fi	N/A	
Protocol	IPv4/IPv6, HTTP, HTTPS, SSL, TCP/IP, UDP, UPnP, ICMP, IGMP, SNMP, RTSP, RTP, SMTP, NTP, DHCP, DNS, PPPOE, DDNS, FTP, IP Filter, QoS, Bonjour	
ONVIF	ONVIF Profile S	
Max. User Access	20 users	
Smart Phone	iPhone, iPad, Android, Windows Phone	

DH-IPC-HDB5100

Auxiliary Interface	
Memory Slot	Micro SD, Max 64GB
RS485	N/A
Alarm	1/1 channel In/Out
PIR Sensor Range	N/A
General	
Power Supply	AC24V/DC12V, PoE(802.3af)
Power Consumption	Max 3W
Working Environment	-20°C~+60°C, Less than 90% RH
Ingress Protection	IP66
Vandal Resistance	IK10
Dimensions	Φ151mm×119mm
Weight	1.25kg

Dimensions (mm)



DH-IPC-HDB5100

Accessories (optional)

				
PFA100	PFB300S	PFA120	PFA150	PFA151

Dahua Technology Co., Ltd.

1187 BinAn Road, Binjiang District, Hangzhou, China

Tel: +86-571-87688883

Fax: +86-571-87688815

Email: overseas@dahuatech.com

www.dahuatechsecurity.com

*Design and specifications are subject to change without notice.

© 2013 Dahua Technology Co., Ltd.