

DH-IPC-HDB3200C

2Megapixel Full HD Vandal-proof Network Mini Dome Camera



Features

- 1/3" 2Megapixel progressive scan Exmor CMOS
- H.264 & MJPEG dual-stream encoding
- 25/30fps@1080P(1920×1080)
- DWDR, Day/Night, 2DNR, AWB, AGC, BLC
- Multiple network monitoring: Web viewer, CMS(DSS/PSS) & DMSS
- 3.6mm fixed lens (2.8mm, 6mm, 8mm optional)
- Micro SD memory, IP66, IK10, PoE

DH-IPC-HDB3200C

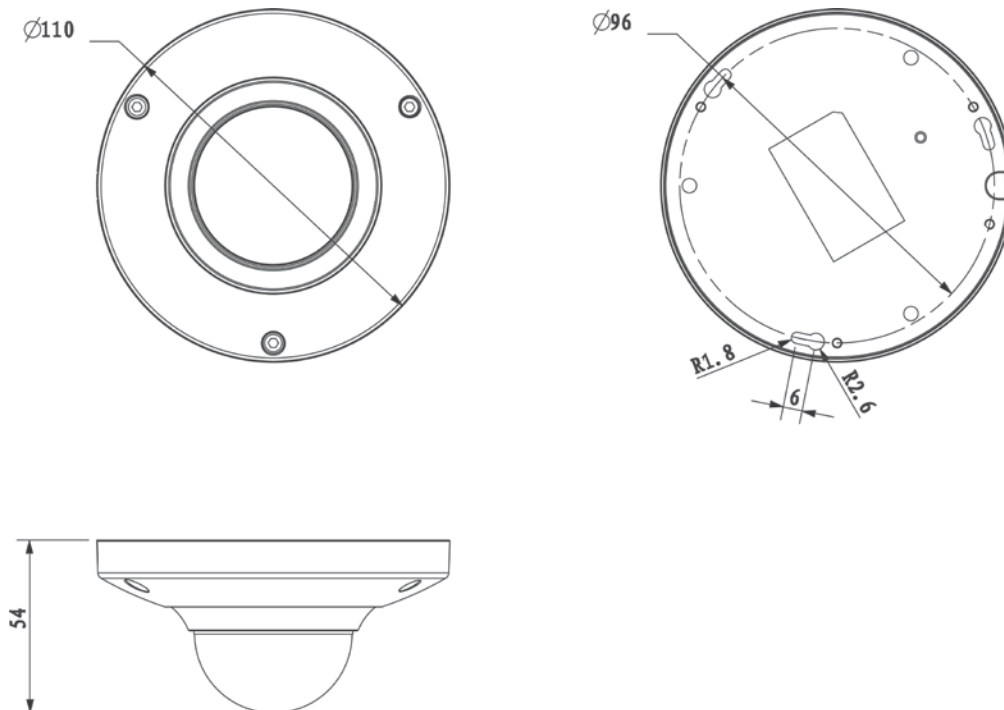
Technical Specifications

Model	DH-IPC-HDB3200CP	DH-IPC-HDB3200CN
Camera		
Image Sensor	1/3" 2Megapixel Exmor CMOS	
Effective Pixels	1920(H)x1080(V)	
Scanning System	Progressive	
Electronic Shutter Speed	Auto/Manual 1/3~1/10000	Auto/Manual 1/4~1/10000
Min. Illumination	Color: 0.2Lux/F1.6, B/W: 0.01Lux/F1.6	
S/N Ratio	>50dB	
Camera Features		
Day/Night	Auto(Electronic)/Color/B/W	
Backlight Compensation	BLC / HLC / DWDR	
White Balance	Auto	
Gain Control	Auto/Manual	
Noise Reduction	2D	
Privacy Masking	Up to 4 areas	
Lens		
Focal Length	3.6mm fixed lens (2.8mm,6mm,8mm optional)	
Max Aperture	F1.6 (F2.0,F1.6,F1.6)	
Focus Control	Fixed lens	
Angle of View	H: 70° (97.24°/46°/35°)	
Mount Type	Board-in Type	
Video		
Compression	H.264 / MJPEG	
Resolution	1080P(1920×1080) / 720P(1280×720)/ D1(704×576) / CIF(352×288)/	1080P(1920×1080) / 720P(1280×720) / D1(704×480) / CIF(352×240) /
Frame Rate	Main Stream	1080P/720P(1 ~ 25/30fps)
	Sub Stream	D1/CIF(1 ~ 25/30fps)
Bit Rate	H.264: 32K ~ 8192Kbps, MJPEG: 32K ~ 20480Kbps	
Network		
Ethernet	RJ-45 (10/100Base-T)	
Protocol	IPv4/IPv6, HTTP, HTTPS, SSL, TCP/IP, UDP, UPnP, ICMP, IGMP, SNMP, RTSP, RTP, SMTP, NTP, DHCP, DNS, PPPOE, DDNS, FTP, IP Filter, QoS, Bonjour	
ONVIF	ONVIF Ver. 2.0	
Max. User Access	10 users	
Smart Phone	iPhone, iPad, Android, Windows Phone	
Auxiliary Interface		
Memory Slot	Micro SD, Max 32GB	
General		
Power Supply	DC12V, PoE(802.3af)	

DH-IPC-HDB3200C

Power Consumption	<2.5W
Working Environment	-10°C~+60°C, 10%~90%
Protection Level	IK10 & IP66
Dimensions	φ110×54mm
Weight	0.25kg

Dimensions (mm)



Dahua Technology Co., Ltd.

1187 BinAn Road, Binjiang District, Hangzhou, China

Tel: +86-571-87688883

Fax: +86-571-87688815

Email:overseas@dahuatech.com

www.dahuatech.com

*Design and specifications are subject to change without notice.

© 2012 Dahua Technology Co., Ltd.